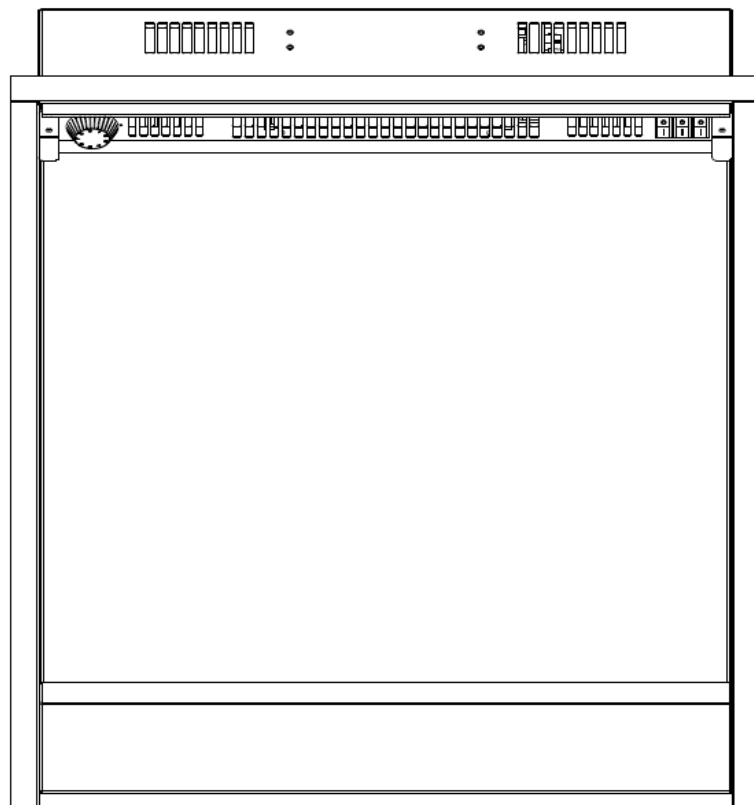


bemodern

FIREPLACES & STOVES | BATHROOM FURNITURE

Model 1174

Electric Fire Suite and Fire Instructions



Instructions for use

This product is only suitable for well insulated spaces or occasional use

Contents

Tech Specs	3
Safety Info	4 – 5
Suite Installation	6 – 7
Fire Installation	8 – 9
Fitting of Trim(s)	10
Using as a Portable Appliance	11
Fire User Instructions	12
Maintenance	13
General Information	14
Guarantee	15
ERP Table	16

Technical Specification

Model No.: 1174
 Supply Voltage: AC 230-240V 50Hz
 Maximum power consumption: 2KW
 Power for flame effect: 9W (LED 5W + Motor for flame 4W)

Heat Output:

Nominal heat output (Pnom): 2.0KW
 Minimum heat output (indicative) (Pmin): 1KW
 Maximum continuous heat output (Pmax): 2.0KW

Auxiliary Electricity Consumption:

At nominal heat output (elmax): N / A
 At minimum heat output (elmin): N / A
 In standby mode (elSB): 0kW

Type of heat output / room temperature control

Single stage heat output and no room temperature control	No
Two or more manual stages, no room temperature control	No
With mechanic thermostat room temperature control	Yes
With electronic room temperature control	No
Electronic room temperature control plus day timer	No
Electronic room temperature control plus week timer	No

Other Control Options

Room temperature control, with presence detection	No
Room temperature control, with open window detection	No
With distance control option	No
With adaptive start control	No
With working time limitation	No
With black bulb sensor	Yes
Self-learning functionality	No
Control accuracy	No

Safety Information

Read all of the instructions carefully before using the appliance.

For indoor use only This appliance is not suitable for use outside the house and **only suitable for well insulated spaces or occasional use.**

Do not use this appliance in the immediate surroundings of a bath, a shower or a swimming pool or any wet area


This fire must not be located immediately below and in front of a socket-outlet.

This appliance must be earthed.

This appliance must not be supplied through an external switching device, such as a timer, or connected to the circuit that is regularly switched on and off by utility in order to avoid a hazard due to the inadvertent resetting of the thermal cut out.

A non-rewirable plug fitted with a 13A fuse is supplied. Should the fuse or plug need replacing, and you are competent to do so, it must be replaced with a 13A fuse or plug being 13A BS1363A approved.

If the power cord is damaged, it must be repaired by the manufacturer, its authorised service centre or professional person.

The meaning of this symbol  is "DO NOT COVER". **Warning:** in order to avoid overheating, do not allow the appliance to be covered or let the air inlet / outlet to become obstructed. Please note the warning symbol on the appliance (see above).

To reduce the risk of fire, keep textiles, curtains, or any other flammable material a minimum distance of 1 meter from the air outlet.

Keep the power cord away from hot surfaces and hot conditions. Do not route the power lead in front of the appliance.

Do not use this fire in rooms that have explosive gas in them (for example petrol), or if you are using solvents, glue, aerosol spray or in flammable paints, as these may catch fire.

Safety Information *(continued)*

Children and vulnerable people must be supervised at all times when using this appliance, as some parts can become very hot and cause burns.

This appliance shall not be played with by children.

Children of less than 3 years should be kept away unless continuously supervised.

Children aged from 3 years and less than 8 years only can switch on / off the appliance provided that it has been placed or installed in its intended normal operating position and instructions and supervisions concerning the safe way of the use of the appliance are offered. Children aged from 3 years and less than 8 years shall not plug in, regulate and clean the appliance or perform user maintenance.

This appliance can be used by children aged from 8 years and above and persons with reduced physical, sensory or mental capabilities or lack of experience and knowledge if they have been given supervision or instruction concerning use of the appliance in a safe way and understand the hazards involved.

Do not use this appliance in small rooms when they are occupied by persons not capable of leaving the room on their own, unless constant supervision is provided.

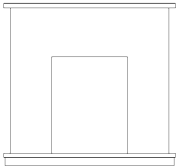

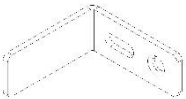

Cleaning and user maintenance shall not be made by children without supervision.

Suite Installation

Please unpack carefully ensuring that any loose parts and all packing items are removed. Read any warning labels carefully (see Maintenance Section).

Place waste packaging back into box and dispose of RESPONSIBLY.

The surround / appliance must be positioned so that plug (fused spur) is accessible. Only when you are certain that you have completed the installation should you plug in and switch on at the wall socket.

REF	SUPPLIED PARTS - DESCRIPTION	ILLUSTRATION	QTY.	REF	SUPPLIED PARTS – DESCRIPTION	ILLUSTRATION	QTY.
A.	SUITE WITH ELECTRIC FIRE INC.		1	C.	WALL BRACKETS		2
B.	MANTEL BRACKETS		2	D.	16mm C/SUNK SCREWS		4

The appliance Data Plate is located underneath the heater box, check and make sure you have all the parts as listed above. If not, contact : **Be-Modern Helpline on 0191 430-0901**

Suite Installation

Installing the Mantel

Place Suite (A) in the required position and remove any obstructions, i.e. cut to shape or remove skirting to allow the Suite to butt up flush against the wall (if required). Remember to allow enough space when cutting the skirting for the cable to exit from the desired side.

1. Trial fit the mantel in the required position. Remove any obstructions, i.e. cut to shape or remove skirting to allow the mantel to butt up to the wall. Note: Mantel is a two adult person lift.

2. Screw the 2 mantel brackets (B) to the inside of each leg using the 4 screws provided (D - 16mm), making sure that the brackets are flush with the rear of the leg. See Figure 1 & 2.

3. With the mantel in position. Lightly scribe the wall in line with outer edges of the mantel. Lift the mantel away from the wall. Measure inwards from the previously scribed line the thickness of the mantel leg plus 10mm. See Figure 2.

4. Fix the wall brackets (C) in place using the appropriate fixing dependent on the type of wall (Fixing are not supplied). Ensure mantel brackets (B) will fall halfway between the folds on the wall brackets (C). See Figure 2.

5. **IMPORTANT:** If a power cable is to be routed to the rear of the mantel. Care must be taken not to crush or damage the cable when positioning the mantel.

6. Lift the mantel onto the wall brackets (C) and confirm it is securely held in place. If any adjustment is required take the mantel off the wall and adjust using the slots on the mantel brackets (C).

NB. Should a defect be discovered and in the event of a suite being permanently fixed to the wall the householder will be responsible for any costs incurred.

Care

To maintain the appearance of your new suite we recommend that it is dusted using a lint free cloth. NEVER use any form of abrasive or DAMP cloth.

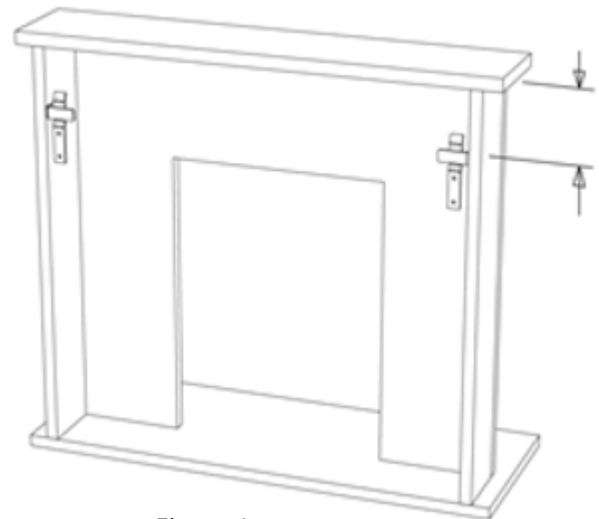


Figure 1

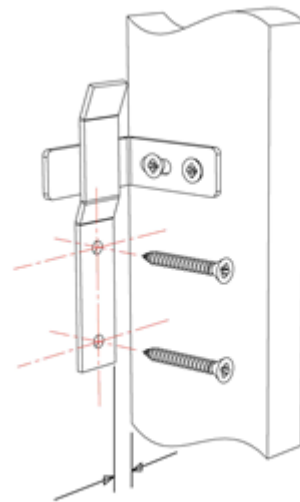


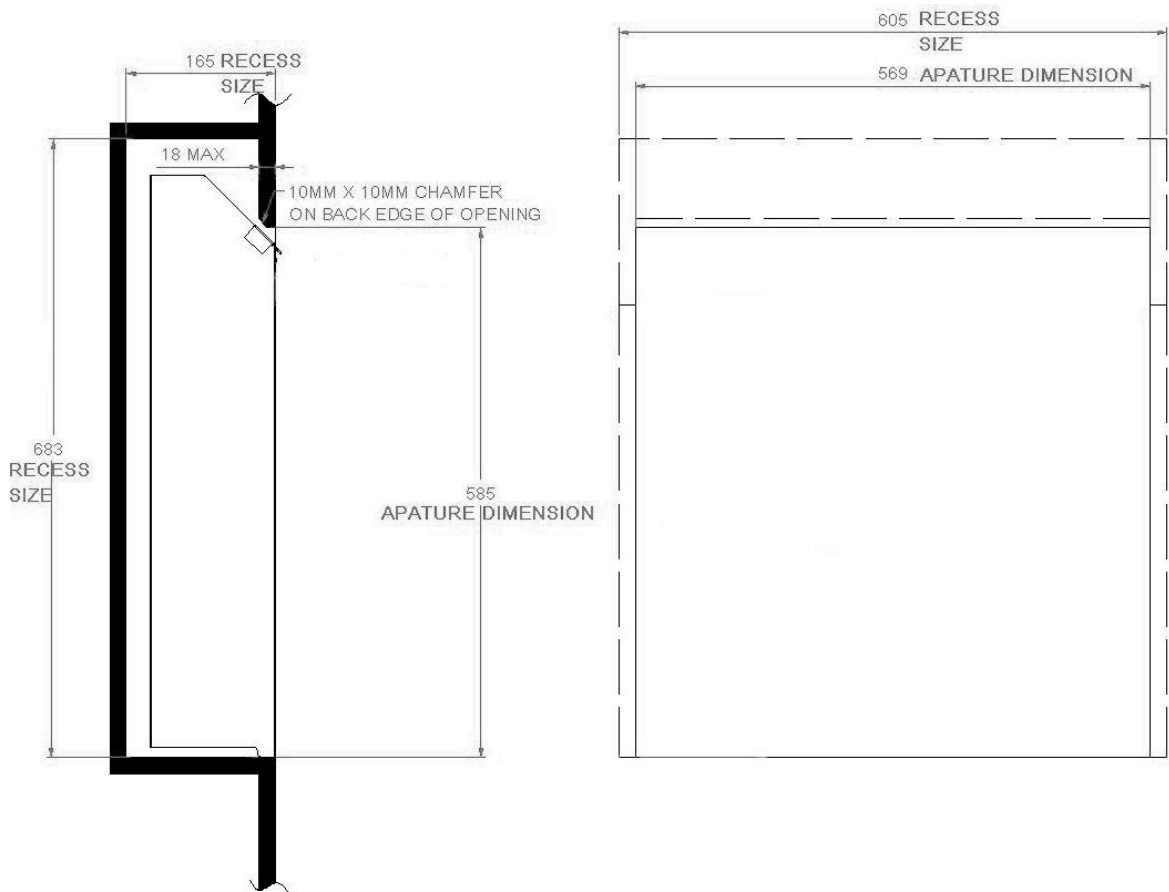
Figure 2

Fire Installation

Please unpack carefully ensuring that any loose parts and all packing items are removed. Read any warning labels carefully (see Maintenance Section). Place waste packaging back into box and dispose of RESPONSIBLY. **The appliance must be positioned so that the plug or fused spur is accessible. Only when you are certain that you have completed the installation should you plug in and switch on at the wall socket.**

Check that the supply voltage details on your flame effect fire are in accordance with your electrical supply. Your fire is fitted with a plug incorporating a 13 Amp fuse. In the event of replacing the fuse in the plug supplied, a 13 Amp fuse approved by ASTA to BS 1362 must be used. Before switching on, please read the following operation instructions.

- The appliance Data Plate is located on the underside of the Heater box and can be accessed by removing the glass. (Disconnect from the mains supply before removing the glass as described in the maintenance section).
- This fire should not be installed into an open / existing fireplace without the opening being professionally blanked off to reduce the risk of a back draught, which could cause the safety cut-out to operate.
- The fire has two spring steel brackets affixed to either side. These are used to hold the fire in the correct position when inserted into the recess / surround as below.



Fire Installation / Removal

- Ensure that the installation aperture dimensions are as to the above specification.
- Swing the unit into the opening and rest the bottom of the fire onto the bottom of the recess as shown in Fig.4.
- Gently push the fire backwards into the recess / surround until it is flush against the wall / panel.
- The spring clips will keep the fire in position.
- The fire can be removed simply by pulling the bottom of the appliance towards you.
- Then remove the fire from the aperture

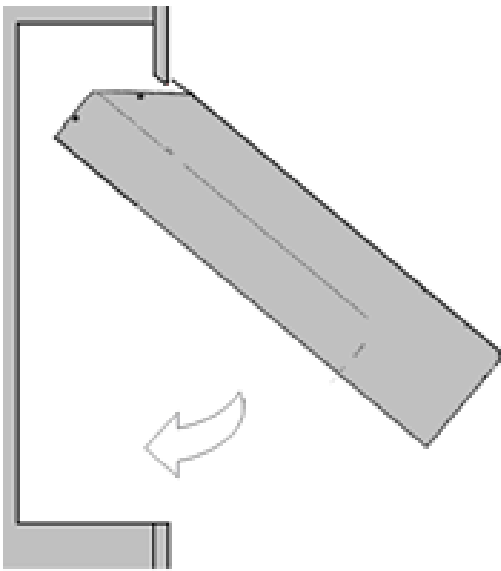


Figure 4 – Installation

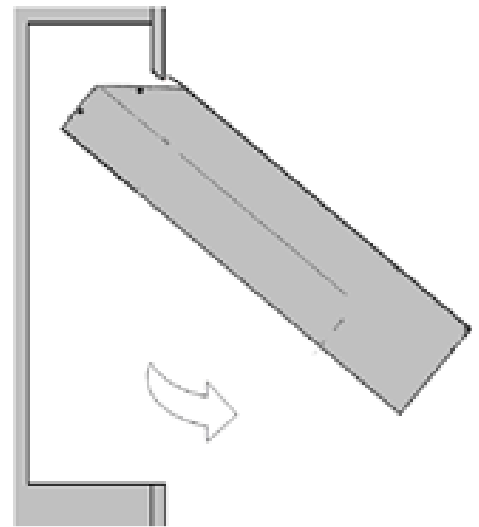


Figure 5 – Installation

Fitting of the Optional Trim 1 Piece or 3 Piece

1 Piece trim (3 sided)

IMPORTANT: The trim is located in the rear of the surround, or in the fire box. Do not discard trim with packaging.

Please use the following instructions as a guide for fitting the optional 1 piece metal trim (only available with selected models).

Note - Remove the protective plastic film from the trims prior to fitting.

Position the magnets on the insides of the trim, 2 at the top and 2 on each side on the leg pieces spreading them out evenly to get a strong pull on the fire metalwork. Place the three pieces of the trim against the fire frame as shown in **Fig.6**. The trim installation is now complete.

3 Piece trim (3 Sided)

IMPORTANT: The trim is located in the rear of the surround, on top of the fire. Do not discard trim with packaging.

Please use the following instructions as a guide for fitting the optional 3 piece metal trim (only available with selected models).

Note- remove the protective plastic film from the trims prior to the following steps.

Position the magnets on the insides of the three trim parts (left, right and top) spreading them out evenly as to get a strong pull on the fire metalwork. Place the left hand trim vertically against the fire frame as shown in **Fig.7**. Note - you should feel the magnets pulling the trim into place. Repeat this process using the right hand side and finally the top trim **Fig.8**. When locating the top trim make sure the sides sit flush with the outer edge.

The trim installation is now complete.



Figure 6



Figure 7



Figure 8

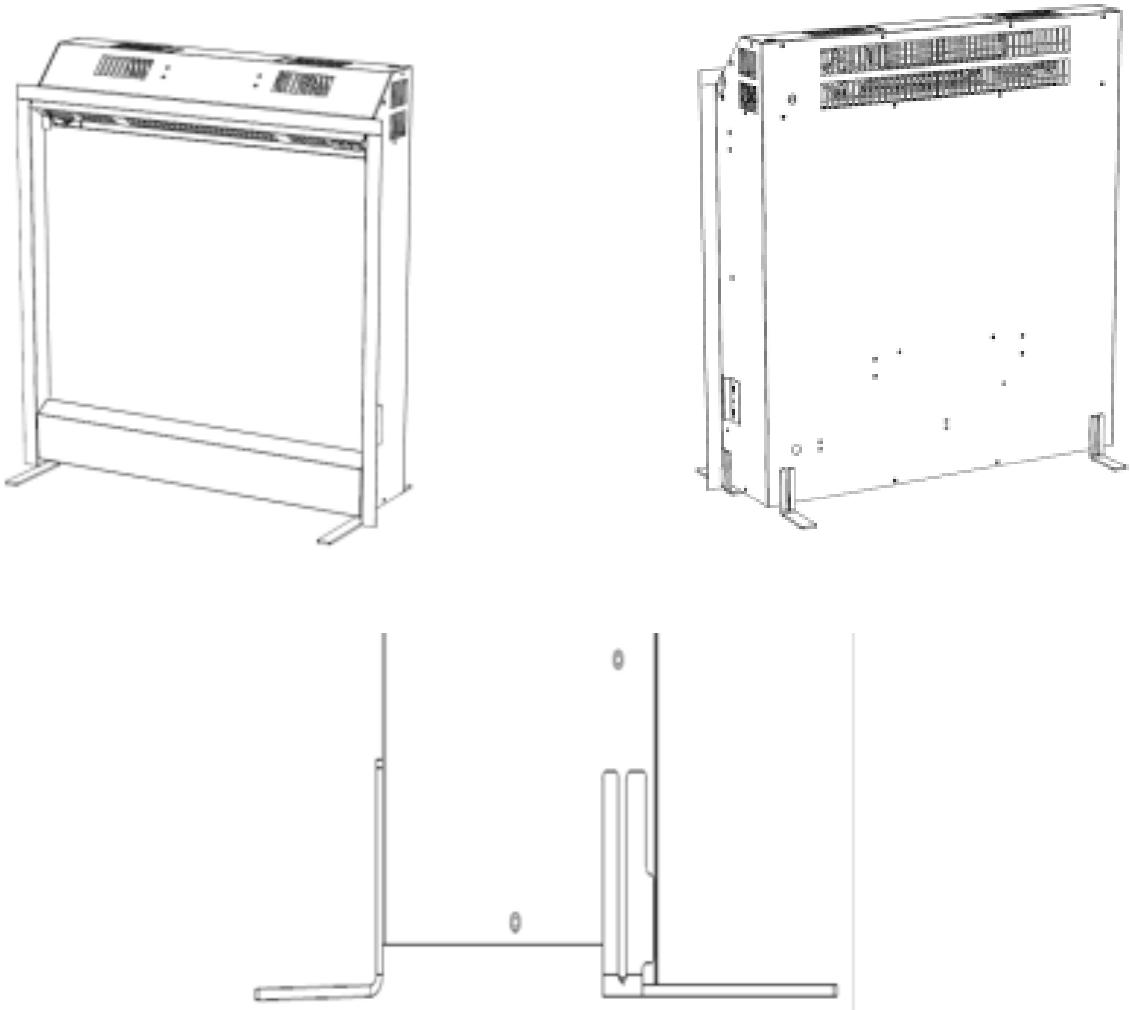
Using as a Portable Appliance

Portable appliance stands:

2-off: Feet / brackets to be fastened to side of the fire.

2-off: Feet / brackets to be fitted to rear of fire.

Should you decide to use the appliance in a different location simply pull the appliance away from the suite, two spring clips are attached to the fire on either side to hold the fire in the correct position whilst in the suite. The brackets / stands supplied with this appliance are to be affixed using the existing screws on the appliance and are to prevent appliance falling over whilst in use. Loosen the screws a couple of turns enough to enable you to slide the brackets into position. Once in position retighten the screws (see below). The appliance is now ready for use in another room / location.



IMPORTANT This appliance must have the feet / brackets fitted to be used as a portable appliance. These feet / brackets are to prevent the fire from tipping over.

Fire User Instructions

The Flame effect and heat controls are located under the top shelf of the fire surround on the right-hand side of the heater box as shown in **Figure 9**.

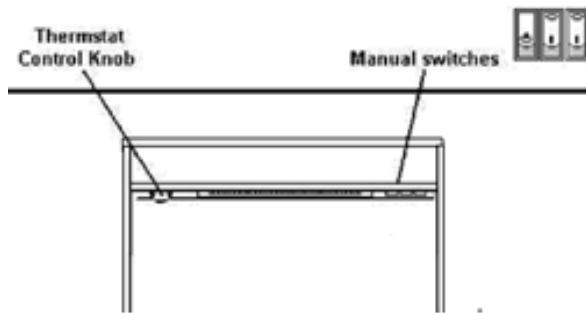


Figure 9

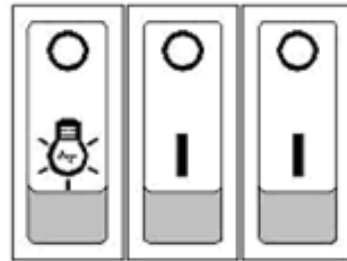


Figure 10

- The first switch marked with a light bulb controls the lamp and flame effect as shown in **Figure 10**.
- The next two switches operate the fan convector heater. To use the heater the middle of the three switches marked **O/I** (**O** is off, **I** is on) should be operated first for 1 kW of heat. The right-hand switch also marked **O/I** should be used together with the middle switch to give 2kW of heat.
- Note' lamp' switch must be in the 'on' position for heater to function.

Thermostat

This model is fitted with a thermostat that is mounted on the left-hand side of the heater box control panel (see **Fig.9**).

It can be used to control the heat output to maintain a constant room temperature to suit user requirements. This will ensure that excessive heat is not produced unnecessarily.

To set the temperature

The dial is marked with numbers to indicate the maximum and minimum temperature positions. Start with setting 9 and when the room has reached a desired level turn the dial slowly to the left until the thermostat 'clicks' off. The thermostat will then maintain the room temperature at the selected level. To increase the temperature, turn dial back to the right to a higher setting.

Note: - It is possible that if the room temperature is higher than the thermostat setting it will not come into operation and the heater will remain off until the temperature of the room cools.

Maintenance

WARNING: There are no internal user serviceable parts, i.e. bulbs, in this product. Under no circumstance should access be gained to the internal parts other than by a suitably qualified person.

The two glass retaining brackets must be removed so the glass can be taken out to access the data plate

The area around the fire should be kept free of any materials such as lint or house dust (i.e. Animal hair/ carpet fibres) that could be drawn into the internal workings of the appliance and hence affect the performance. We recommend that you clean around the fan grille housing at regular intervals. This can be done using standard vacuum cleaner and suitable attachment. Additionally regular vacuuming of the inside of the fire bottom can be done using a standard vacuum cleaner attachment by removing the fuel bed.

Please note: if the supply cord on this appliance is damaged it must be replaced by the manufacturer, Authorised Service Agent, or a qualified person to avoid a hazard.

Note: To prevent scratching of the front screen, this appliance should be cleaned with a damp cloth only

Safety thermal cut-out

The appliance is fitted with an Electronic Safety Control (E.S.). This is a safety device, which switches off the fire if, for any reason, the appliance overheats. The E.S. Control can only be re-set after the appliance has cooled down, in order to re-set the E.S. Control proceed as follows:

- Switch off the appliance and leave for approximately 5-10 minutes.
- Switch on appliance and the E.S. Control will re-set.
- Ensure that the appliance is functioning correctly. If the E.S. Control operates again, it is advisable to have the appliance checked out by a competent Electrician.

CAUTION: In order to avoid a hazard due to inadvertent resetting of the thermal cut out, this appliance **must not** be supplied through an external switching device, such as a timer, or connected to a circuit that is regularly switched on and off by the utility.

PLEASE NOTE THAT THIS APPLIANCE USES A MOTOR TO OPERATE THE FLAME EFFECT AND HEAT, IT MAY BE POSSIBLE TO HEAR THESE MOTORS WHEN THE APPLIANCE IS ON, THIS IS NORMAL AND SHOULD NOT CAUSE CONCERN.

Fault finding – symptoms and cure.

It is highly unlikely you should have a fault with your heater, but should there appear to be a problem, please refer to the following checklist of our most frequent questions from customers. If these do not answer your query please contact your retailer, or call us.

No light effect

Please check – does the heater still work? If **YES** – it will almost certainly need a new LED unit (See maintenance section)

If **NO** – has the heater cut-out operated? To protect against overheating please refer to safety cut-out section above. If still not working, First ensure that the inline connector on the mains cable is connected securely, secondly change the 13amp fuse in the plug with one which you know works. Thirdly, check the wall socket by plugging a table lamp that you know works on another socket. If this does not work get an electrician to check the socket.

General Information

Environment



Meaning of crossed –out wheeled dustbin:

Electrical appliances should not be disposed as unsorted municipal waste. Separate collection facilities should be used in the disposal of electrical appliances. Contact your local government for the information about the available collection systems. If electrical appliances are disposed of in landfills or dumps, hazardous substances can leak into the groundwater and get into the food chain, damaging your health and well-being. When old appliances are replaced by the new ones, it is a legal obligation for the retailer to take back the old appliance for disposals at least free of charge.



This fire complies with the Safety Standards EN 60335-1 and EN 60335-2-30 which covers the essential requirements of the Low Voltage Directive 2014/35/EU and the EMC standards EN 55014-1; EN 55014-2; EN 61000-3-2 and EN 61000-3-3 which covers the essential requirements of the European Electro Magnetic Compatibility 2014/30/EU, and the RED standards EN300220-2, EN301489-1, EN301489-3 and Photobiological Safety Standards of LED EN6247 which covers the essential requirements of the European Radio Equipment Directive 2014/53/EU.



This fire complies with the Safety Standards BS 60335-1 and BS 60335-2-30 which covers the essential requirements of the Electrical Equipment (Safety) Regulations 2016 and the EMC standards BS 55014-1; BS 55014-2; BS 61000-3-2 and BS 61000-3-3 which covers the essential requirements of the Electro Magnetic Compatibility Regulations 2016, and the RED standards BS 300220-2, BS 301489-1, BS 301489-3 and Photobiological Safety Standards of LED BS6247 which covers the essential requirements of the Radio Equipment Regulations 2017.



RoHS stands for Restriction of Hazardous Substances, and impacts the entire electronics industry and many electrical products as well. The Restrictions of the Use of Certain Hazardous Substances in Electrical and Electronic Equipment Regulations 2012, originated in the European Union in 2002 and restricts the use of six hazardous materials found in electrical and electronic products. All applicable products in the EU and UK market since July 1, 2006 must pass RoHS compliance.

Electric Fire Guarantee

Be Modern Ltd. (the 'Company') provides a **twelve month** guarantee in respect of electric fire (the 'Product') ranges.

1. The twelve month Guarantee applies to:

- a. All products in the ranges manufactured by the 'Company' (but subject to the exceptions below): where:
- b. The product has been purchased and installed within the UK and in respect of
- c. The initial installation: and in favor of
- d. The original purchaser

2. Proof of Purchase must be retained by the Purchaser

3. The twelve month Guarantee does not apply to:

- a. Damage or inferior workmanship practices whilst the 'Product' is being installed
- b. Damage caused by mis-use of the 'Product' or where normal standards of care and use have not been complied with.
- c. Damage through a malfunction or an inadequately installed electric fire.
- d. Damage or defects due to mis-use, accident or unauthorised alterations.

4. During the twelve month after the "Product" has been supplied, the Guarantee covers the making good (whether by repair or replacement at the Company's option) of defects arising from defective manufacture of materials of "Product" covered in Para 1 all at no cost to the purchaser on the provision:

- a. The Product has been installed as per Be Modern recommendations. The Purchaser uninstalls the Product and makes it available for collection by Be Modern.

This Guarantee does not affect your statutory rights

On requiring service the purchaser should contact the retailer who supplied your product who will assist and advise you as necessary.

Be Modern Ltd.
19/34 Bedesway
Bede Industrial Estate
Jarrow
Tyne and Wear
NE32 3BE
Tel: (0191) 430 0901
Fax: (0191) 430 9522
<http://www.bemodern.com>

ERP Table

Contact details	BE MODERN LTD 19/34 BEDESWAY, BEDE INDUSTRIAL ESTATE, JARROW, TYNE & WEAR, NE32 3BE					
Model identifier(s): 1174						
Item	Symbol	Value	Unit		Item	Unit
Heat output					Type of heat output / room temperature control (select one)	
Nominal heat output	P_{nom}	1.-85 – 2	kW		single stage heat output and no room temperature control	[no]
Minimum heat output (indicative)	P_{min}	0.925	kW		two or more manual stages, no room temperature control	[no]
Maximum continuous heat output	$P_{max,c}$	2	kW		with mechanic thermostat room temperature control	[yes]
Power consumption					with electronic room temperature control	[no]
In off mode	P_o	0.00	W		electronic room temperature control plus day timer	[no]
In standby mode	P_{sm}	N / A	W		electronic room temperature control plus week timer	[no]
In idle mode	P_{idle}	N / A	W		Other control options (multiple selections possible)	
In network standby	P_{nsm}	N / A	W		room temperature control, with presence detection	[no]
Standby mode with display of information or status			[no]		room temperature control, with open window detection	[no]
Seasonal space heating energy efficiency in active mode	$\eta_{s,on}$	85	%		distance control option	[no]
					adaptive start control	[no]
					working time limitation	[no]
					black bulb sensor	[no]
					self-learning functionality	[no]
					control accuracy	[no]