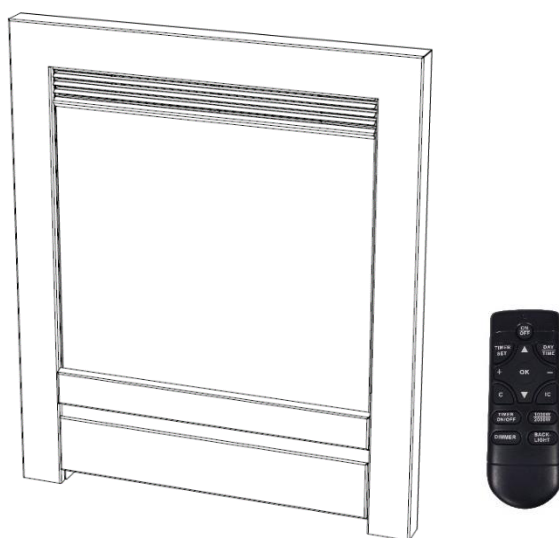


# bemodern

FIRES | FIREPLACES

**Model 2893 / 2921**

**16" and 22" 75mm Electric Fire**



**Complete with Remote Control**

**Instructions for use**

Patent pending  
UK Registered Design

## Contents

Tech Specs	3
Safety Info	4 – 5
Fixing the appliance	6 – 7
Attaching the Trim	7
User Instructions	8 - 13
Maintenance	14
General information	15
Guarantee	16

## Technical Specification

Model No.: 2893 / 2921  
 Supply Voltage: AC 230-240V 50Hz  
 Maximum power consumption: 2KW  
 Power for flame effect: 13W (LED 5W + Motor for flame 8W)

### Heat Output:

Nominal heat output (Pnom): 2KW  
 Minimum heat output (indicative) (Pmin): 1KW  
 Maximum continuous heat output (Pmax): 2KW

### Auxiliary Electricity Consumption:

At nominal heat output (elmax): 14W  
 At minimum heat output (elmin): 14W  
 In standby mode (elSB): 0.48 W

### Type of heat output / room temperature control

Single stage heat output and no room temperature control	No
Two or more manual stages, no room temperature control	No
With mechanic thermostat room temperature control	No
With electronic room temperature control	No
Electronic room temperature control plus day timer	No
Electronic room temperature control plus week timer	Yes

### Other Control Options

Room temperature control, with presence detection	No
Room temperature control, with open window detection	No
With distance control option	No
With adaptive start control	Yes
With working time limitation	No
With black bulb sensor	No

## Safety Information

**Read all of the instructions carefully before using the appliance.**

**For indoor use only** This appliance is not suitable for use outside the house and **only suitable for well insulated spaces or occasional use.**

### **Do not use this appliance as a primary heat source**

If the fire is to be placed in front of an existing chimney opening and there is any risk of chimney debris falling down onto the fire or drafts from the chimney it is recommended that the flue or opening is sealed off with non-combustible non-fibrous insulation materials. Do not place into an existing fireplace that is prone to dampness. Should it be necessary to cap and seal the chimney to prevent personal injury, a professional should be hired to do the work

Do not use this appliance in the immediate surroundings of a bath, a shower or a swimming pool or any wet area

This fire must not be located immediately below a socket-outlet.

This appliance must be earthed.

This appliance must not be supplied through an external switching device, such as a timer, or connected to the circuit that is regularly switched on and off by utility in order to avoid a hazard due to the inadvertent resetting of the thermal cut out.

A non-rewirable plug fitted with a 13A fuse is supplied. Should the fuse or plug need replacing, and you are competent to do so, it must be replaced with a 13A fuse or plug being 13A BS1363A approved.

If the power cord is damaged, it must be repaired by the manufacturer, its authorised service centre or professional person.



The meaning of this symbol is “DO NOT COVER”. **Warning:** in order to avoid overheating, do not allow the appliance to be covered or let the air inlet / outlet to become obstructed. Please note the warning symbol on the appliance (see above).

To reduce the risk of fire, keep textiles, curtains, or any other flammable material a minimum distance of 1 meter from the air outlet.

Keep the power cord away from hot surfaces and hot conditions. Do not route the power lead in front of the appliance.

Do not use this fire in rooms that have explosive gas in them (for example petrol), or if you are using solvents, glue, aerosol spray or in flammable paints, as these may catch fire.

## **Safety Information** *(continued)*

This appliance can be used by children aged from 8 years and above and persons with reduced physical, sensory or mental capabilities or lack of experience and knowledge if they have been given supervision or instruction concerning use of the appliance in a safe way and understand the hazards involved.

Children and vulnerable people must be supervised at all times when using this appliance, as some parts can become very hot and cause burns.

Do not use this appliance in small rooms when they are occupied by persons not capable of leaving the room on their own, unless constant supervision is provided.

Cleaning and user maintenance shall not be made by children without supervision.

Children aged from 3 years and less than 8 years only can switch on / off the appliance provided that it has been placed or installed in its intended normal operating position and instructions and supervisions concerning the safe way of the use of the appliance are offered. Children aged from 3 years and less than 8 years shall not plug in, regulate and clean the appliance or perform user maintenance.

This appliance shall not be played with by children.

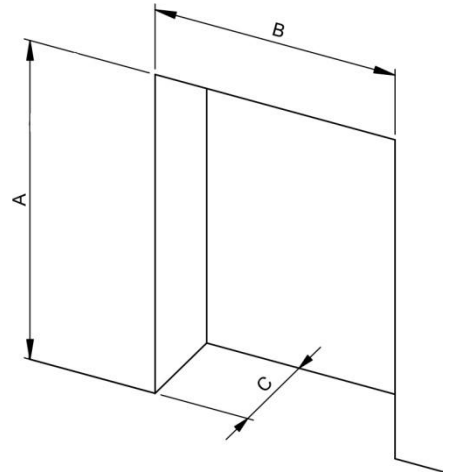
Children of less than 3 years should be kept away unless continuously supervised.

If the fire is to be placed in front of an existing chimney opening and there is any risk of chimney debris falling down onto the fire it is recommended that the flue or opening is sealed off with non-combustible non-fibrous insulation materials. Do not place into an existing fireplace that is prone to dampness. Should it be necessary to cap and seal the chimney to prevent personal injury, a professional should be hired to do the work

## Securing the Appliance

Back panel / cavity opening size

Model	A	B	C
Model 2893 – 16" Version	565	413	75 min
Model 2921 - 22" Version	595	570	75 min



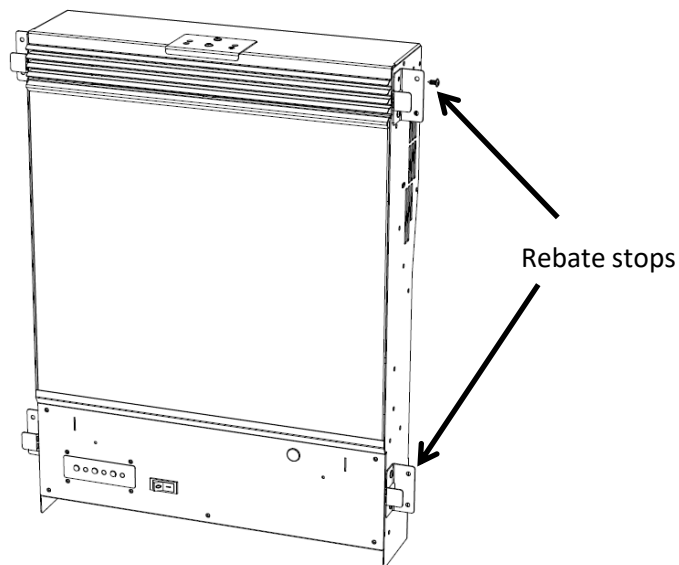
Prior to installation / securing the fire select the preferred fixing method.

- A. Securing the fire into position using the fixing holes in the rebate stops.
- B. Securing the fire using the back panel clamp.

Fixing method A.

Position the fire in the back panel opening ensuring it is centralised. Depending on the back panel medium, mark the hole positions then remove the fire, drill and plug the holes ensuring the correct fixings are used for the wall medium. **\*NOTE Fixings are not supplied.** Once fixing holes have been plugged replace the fire and secure in position via the holes in the rebate stops.

Fixing Method A



## Securing the Appliance

Fixing method B.

Loosely attach the back panel clamp to the top of the fire as shown below in Figure 1. Hook the clamp under the back panel so it sits behind the panel and centralise the fire in position. Once in the correct position hold the fire against the back panel and pull the bracket forwards Figure 2. Tighten the bracket screws to secure the fire in position

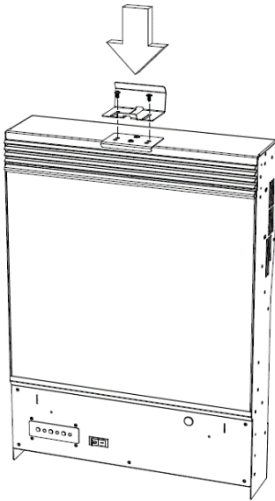


Figure 1

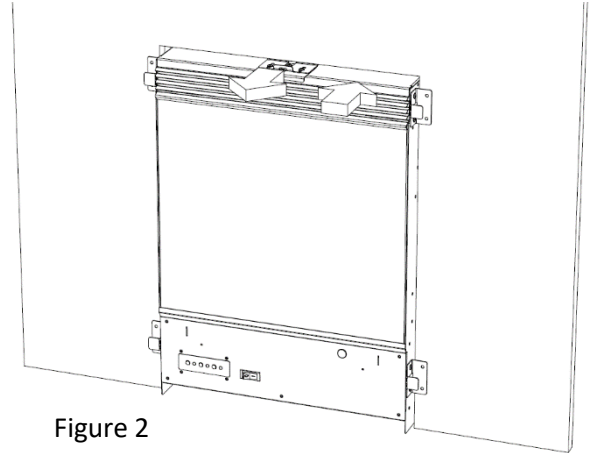
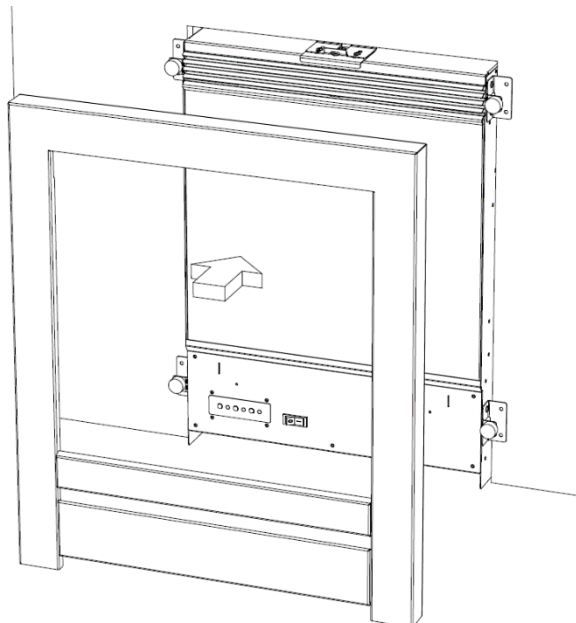


Figure 2

## Attaching the Trim

Place the four 10mm magnets on the rebate stop tabs and position the trim over the fire magnetically securing it to the fire and holding it in position.



## User Instructions

**WARNING! Do not operate the appliance if it is damaged or has malfunctioned. If you suspect the appliance is damaged or has malfunctioned call a qualified service engineer to inspect the appliance, and replace any part of the electrical system if necessary, before reuse.**

**WARNING! To reduce the risk of fire, keep textiles, curtains, or any other flammable material a minimum distance of 1 meter from the air outlet.**

**MAKE SURE** the plug fits tight in the outlet. Faulty wall outlet connections or loose plugs can cause the outlet to overheat.

**Do not** disconnect the power at the mains supply whilst the appliance is running. Use the functions on the remote to turn the fire off and ensure the mains switch has been moved to the off position before disconnecting.

### PREPARATION FOR USE

The appliance can be operated by both remote control and the manual controls on the appliance.  
NOTE: To use either the remote or the manual functions the main power switch must be in the 'ON' position. (See below)

#### Batteries

Ensure that the handset batteries are new and inserted correctly.

#### Main Power Switch

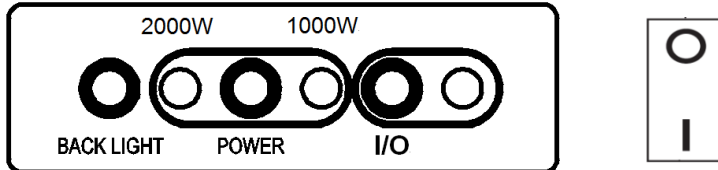
The mains power switch is located on the control panel behind the door of the stove. This needs to be switched ON before operating either the remote or manual controls. A long beep will be heard to indicate the fire is ready for use.

## User Instructions *Continued*

### Manual control panel

Use the ON / OFF switch to power on the heater (set it to standby mode).

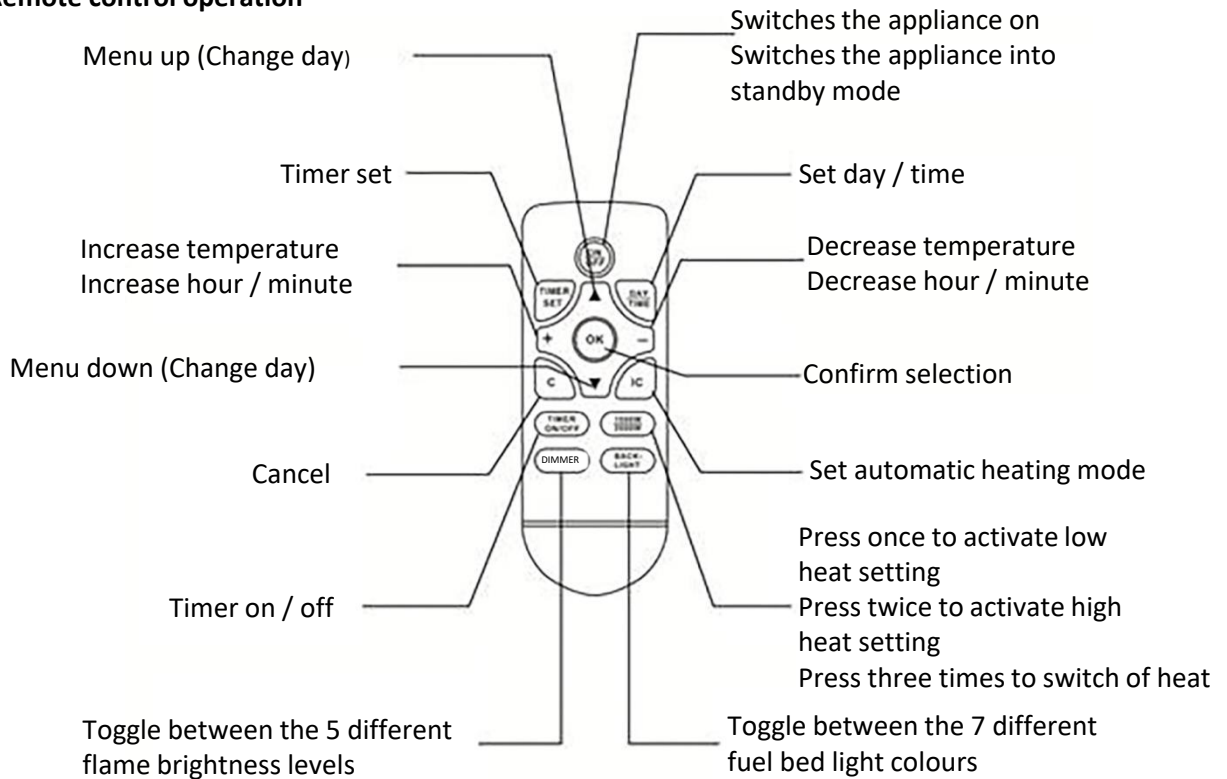
In standby mode, the heater can be operated either manually by the switches located behind the fret or by the supplied remote control.



Main Power Switch		Heater powered off
		Heater powered on, set to standby mode
Appliance Control Panel		<ul style="list-style-type: none"> <li>- Press to switch the flame effect ON / OFF</li> <li>- Press and hold to toggle between 5 different flame effect brightness levels</li> </ul>
		<ul style="list-style-type: none"> <li>- Press once to activate low level heating(1000W)</li> <li>- Press twice to activate high level heating(2000W)</li> <li>- Press three times to switch off heating</li> </ul>
		<ul style="list-style-type: none"> <li>- Press to toggle between 7 different fuel bed effect colours</li> </ul>

## User Instructions *Continued*

### Remote control operation



**NOTE:** The heater should be powered on using the Main Power switch before it can be operated using remote control

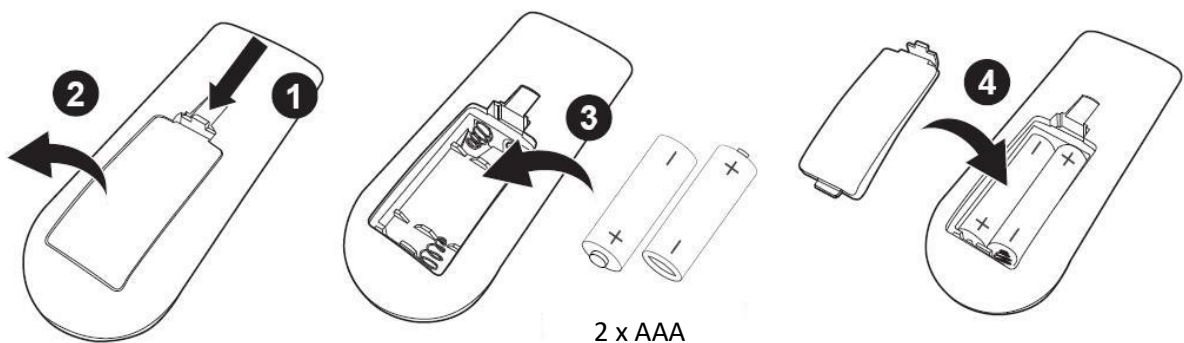
The remote control requires 2 x AAA size batteries.

Open the battery compartment. Pull tab downwards and lift out the cover, insert the batteries noting the polarity indicated in the battery compartment.

Keep batteries out of reach of children.

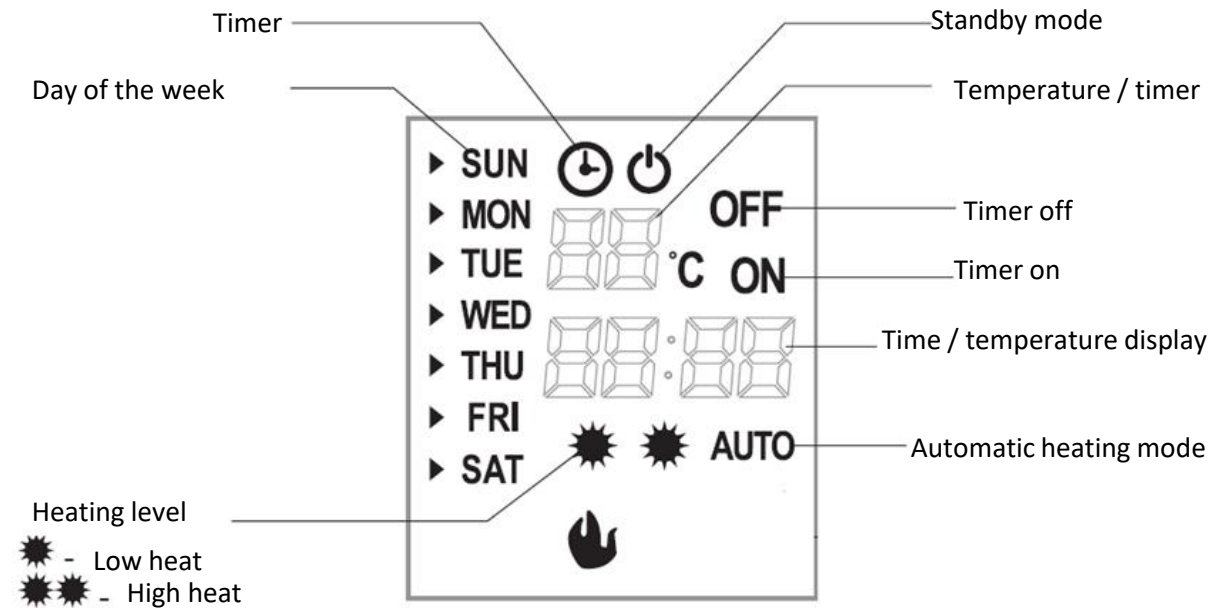
Remote control operations are identical to the functions on the control panel.

The remote control must be pointed directly at the sensor on control pad.



## User Instructions *Continued*

### Display (Shown on the appliance screen)



**Note:- The display will stay illuminated for approximately 8 – 10 seconds**

### Setting the day of the week and time

Press the DAY / TIME key. When the day is flashing press the ▲ or ▼ key to select the day.  
 Press the DAY / TIME key again, then press the + or – key to set the hour.  
 Press the DAY / TIME key again, then press the + or – key to set the minute.  
 Press the OK key to confirm the setting.

### Setting the temperature

**NOTE:** This setting is only applicable for the temperature in standard heating mode, not for the temperature in the timer mode. The default set temperature is 20°C.

**NOTE:** The heater will only start working when the set temperature is higher than the room temperature. Press the + or – key to set the temperature, which ranges from 15 to 30°C. After the temperature setting has been completed, the display flashes for approximately 5 seconds, then shows the room temperature.

## User Instructions *Continued*

### Setting the timer

Up to 10 different timer settings can be programmed.

Each timer setting has a day, power-on time and power-off time.

The maximum duration of each timer setting is 23 hours 50 minutes.

If the power-off time of the timer setting falls on the following day, it is unnecessary to set the day-just set the power-off time.

Press the TIMER SET key, the timer number starts blinking (01-10).

Press the + or – key to select a timer number.

Press the TIMER SET key, the cursor on the left side of the day blinks.

Press the ▲ or ▼ key to move the cursor to the corresponding day. Press the + key to add a corresponding day, or press the - key to delete a day.

Press the TIMER SET key to set the on time. The hour digit will start blinking.

Press the + or – key to set the hour.

Press the TIMER SET key. The minute digit will start blinking.

Press the + or – key to set the minute.

Press the TIMER SET key to set the off time. The hour digit will start blinking.

Press the + or – key to set the hour.

Press the TIMER SET key. The minute digit will start blinking.

Press the + or – key to set the minute.

Press the TIMER SET key. The temperature digit will start blinking.

Press the + or – key to set the temperature.

Press the TIMER SET key to continue with the timer setting or press the OK key to confirm the setting.

---

### Viewing the timer setting

Press the TIMER SET key.

Press the + or – key to check the power-on time of the set timers one by one.

To check the power-off time, press the ▲ key.

Press the + or – key to check the power-off time of the set timers one by one.

To delete selected setting, press the C key.

---

### Activating the timer

Press the TIMER ON / OFF key to activate the timer function.

**NOTE:** When the timer is active, the heating level must be manually selected. If the heater function is not selected; only the flame effect goes on at the set power-on time.

---

### Automatic heating mode

Press the IC key to activate automatic heating mode. The AUTO icon appears on the display.

When the automatic heating is turned on, the heater automatically changes the heating level depending on the set temperature and the ambient room temperature.

## **User Instructions *Continued***

### **Resetting the Thermal Cut Out**

The appliance is fitted with an Electronic Safety Control (E.S.). This is a safety device, which switches off the fire if, for any reason, the appliance overheats, e.g. if covered. If the heater stops operating while the flame effect continues working normally, this indicates that the E.S. Control is in operation. The E.S. Control can only be reset after the appliance has cooled down, and the appliance has been reset. Resetting of the E.S. Control proceeds is as follows:

Switch off the appliance (Manual On / Off switch) and leave it off for approximately 10-15 minutes.

Remove any obstruction to the fan heater outlet or fan blades etc. Make sure that the power supply is disconnected with the plug socket outlet while doing this.

Switch on the appliance and the E.S. Control will be re-set.

Ensure that the appliance is functioning correctly. If the E.S. Control operates again, the appliance should be checked by a competent electrician.

## Maintenance

**WARNING:** Before any maintenance or whilst cleaning the exterior of the fireplace, the unit should be disconnected from the power supply until it has cooled down.

### Cleaning the Fire

Cleaning or polishing products are not recommended. Fingerprints or other marks on the front glass panel can be removed by a piece of soft, damp, lint-free cloth with a good quality household glass cleaner. The front glass panel should always be completely dried with a clean, lint-free cloth or paper towel.

**CAUTION:** Abrasive cleaners should not be used on the glass panel. Liquids should not be sprayed directly onto any surface of the unit.

### Electrical Connections - UK Plug Wiring Instruction

If the plug has to be changed because it is not suitable for your socket, or due to damage, please follow the wiring instructions shown below.

**The wires in the mains lead are coloured in accordance with the following code:**

<b>BROWN</b>	:	<b>LIVE (L)</b>
<b>BLUE</b>	:	<b>NEUTRAL (N)</b>
<b>GREEN / YELLOW</b>	:	<b>EARTH (E)</b>

**As the colours of the wires in the mains lead of this appliance may not correspond with the coloured markings identifying the terminals in your plug, as follows**

The BLUE wire is the NEUTRAL and must be connected to the terminal which is marked with the letter N or coloured BLACK.

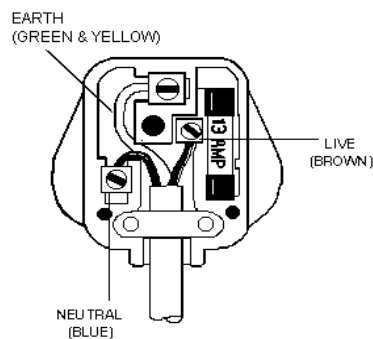
The BROWN wire is the LIVE and must be connected to the terminal that is marked with the letter L or coloured RED.

The wire which is coloured GREEN / YELLOW must be connected to the terminal which is marked E or the earth symbol or coloured GREEN or GREEN / YELLOW.

Always ensure that the cord grip is positioned and securely fastened.

**WARNING:** THIS APPLIANCE MUST BE EARTHED.

**If a 13A (BS1363) fused plug is used it must be fitted with a BS1362 13A fuse. If in doubt consult a qualified electrician.**



# General Information

## Environment



Meaning of crossed –out wheeled dustbin:

Electrical appliances should not be disposed as unsorted municipal waste. Separate collection facilities should be used in the disposal of electrical appliances. Contact your local government for the information about the available collection systems. If electrical appliances are disposed of in landfills or dumps, hazardous substances can leak into the groundwater and get into the food chain, damaging your health and well-being. When old appliances are replaced by the new ones, it is a legal obligation for the retailer to take back the old appliance for disposals at least free of charge.



This fire complies with the Safety Standards EN 60335-1 and EN 60335-2-30 which covers the essential requirements of the Low Voltage Directive 2014/35/EU and the EMC standards EN 55014-1; EN 55014-2; EN 61000-3-2 and EN 61000-3-3 which covers the essential requirements of the European Electro Magnetic Compatibility 2014/30/EU, and the RED standards EN300220-2, EN301489-1, EN301489-3 and EN6247 which covers the essential requirements of the European Radio Equipment Directive 2014/53/EU.



This fire complies with the Safety Standards BS 60335-1 and BS 60335-2-30 which covers the essential requirements of the Electrical Equipment (Safety) Regulations 2016 and the EMC standards BS 55014-1; BS 55014-2; BS 61000-3-2 and BS 61000-3-3 which covers the essential requirements of the Electro Magnetic Compatibility Regulations 2016, and the RED standards BS 300220-2, BS 301489-1, BS 301489-3 and BS 6247 which covers the essential requirements of the Radio Equipment Regulations 2017.



RoHS stands for Restriction of Hazardous Substances, and impacts the entire electronics industry and many electrical products as well. The Restrictions of the Use of Certain Hazardous Substances in Electrical and Electronic Equipment Regulations 2012, originated in the European Union in 2002 and restricts the use of six hazardous materials found in electrical and electronic products. All applicable products in the EU and UK market since July 1, 2006 must pass RoHS compliance..

## Electric Fire Guarantee

Be Modern Ltd. (the 'Company') provides a **twelve month** guarantee in respect of electric fire (the 'Product') ranges.

**1. The twelve month Guarantee applies to:**

- a. All products in the ranges manufactured by the 'Company' (but subject to the exceptions below): where:
- b. The product has been purchased and installed within the UK and in respect of
- c. The initial installation: and in favor of
- d. The original purchaser

**2. Proof of Purchase must be retained by the Purchaser**

**3. The twelve month Guarantee does not apply to:**

- a. Damage or inferior workmanship practices whilst the 'Product' is being installed
- b. Damage caused by mis-use of the 'Product' or where normal standards of care and use have not been complied with.
- c. Damage through a malfunction or an inadequately installed electric fire.
- d. Damage or defects due to mis-use, accident or unauthorised alterations.

**4. During the twelve month after the "Product" has been supplied, the Guarantee covers the making good (whether by repair or replacement at the Company's option) of defects arising from defective manufacture of materials of "Product" covered in Para 1 all at no cost to the purchaser on the provision:**

- a. The Product has been installed as per Be Modern recommendations. The Purchaser uninstalls the Product and makes it available for collection by Be Modern.

**This Guarantee does not affect your statutory rights**

**On requiring service the purchaser should contact the retailer who supplied your product who will assist and advise you as necessary.**

**Be Modern Ltd.**  
19/34 Bedesway  
Bede Industrial Estate  
Jarrow  
Tyne and Wear  
NE32 3BE  
Tel: (0191) 430 0901  
Fax: (0191) 430 9522  
<http://www.bemodern.com>