

bemodern®

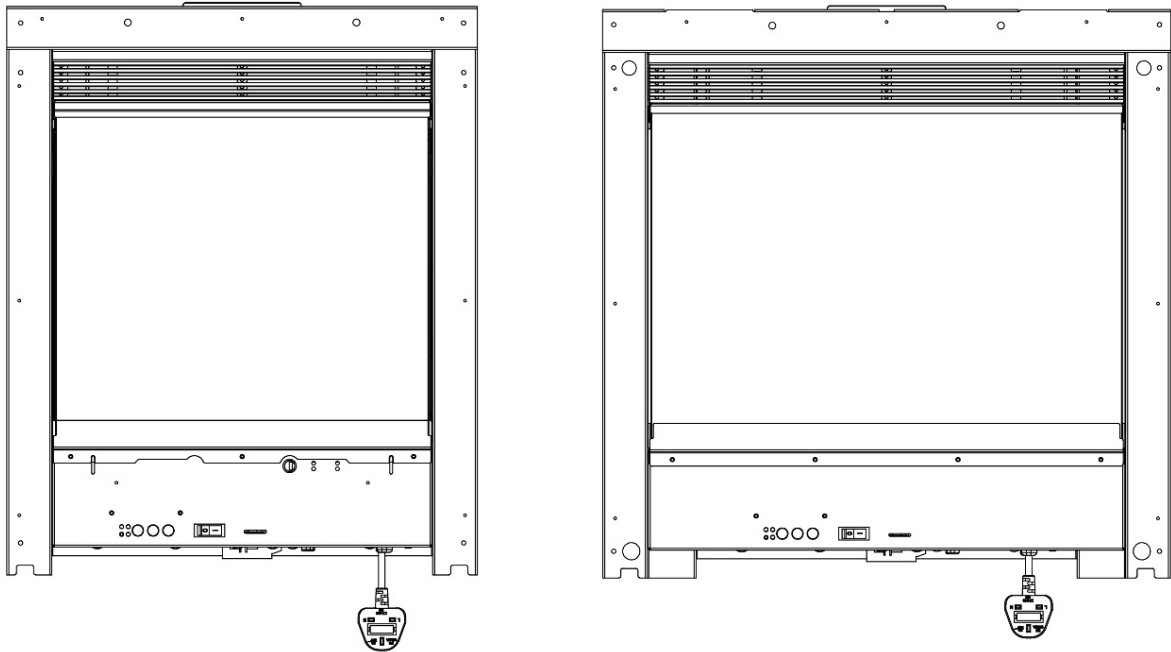
P R  Z M

REVOLUTIONIZING FLAMES

ARTEON

16" & 22-16" Inset Electric Fires

Instructions for Installation, Assembly & Operation



Prior to installing this product locate the data label and note the model and serial number. This is required when registering your guarantee.

Model: _____

Serial Number: _____



Scan to download APP

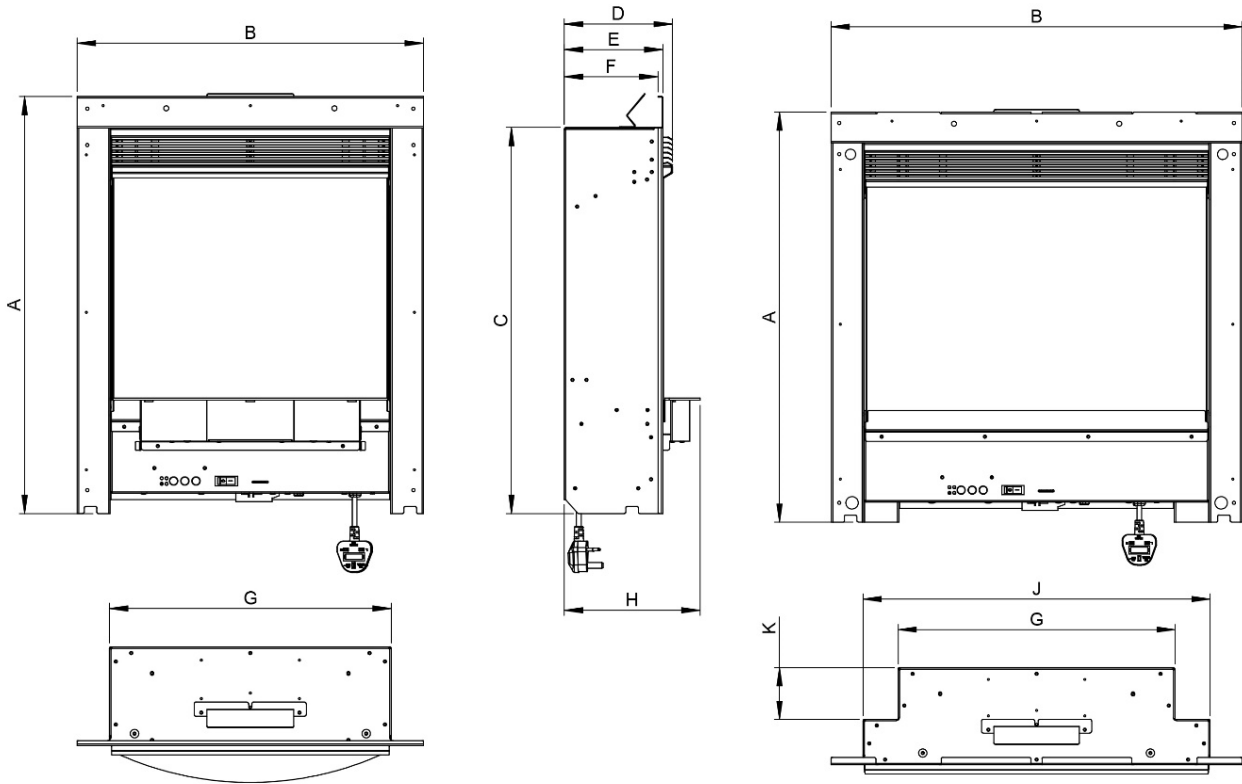


Scan to register warranty

Contents

	Page
Technical Specification	2 - 3
Important Safety Information	4 - 5
Supplied Parts & Components	6
Opening Sizes & Installation Introduction	7
Installation in a Timber Back Panel	7
Installation in a Marble Back Panel	8
Spacer Frame Assembly & Installation	9
Devotion Trim Assembly & Installation	10
Ray Trim Assembly & Installation	11
Cast Trim Assembly & Installation	11
Internal Fuel Bed Layout & Log Positioning	12 – 13
Replacing the Glass	13
Dressing the External Curved Fuel Bed	14
User Instructions - Introduction	15
User Instructions - Manual Control	16
User Instructions - Remote Control	17
User Instructions - APP Control	18 - 32
Maintenance & Troubleshooting	33
General information	34
Guarantee	35

Technical Specification



Detailed: 16" Curved Inset (L) & 22-16" Inset Fire (R)

Fire	Logs	Dimensions (mm)									
		A	B	C	D	E	F	G	H	J	K
ARTEON PRYZM 16" Inset Fire- 4119	3	596	494	552	155	141	134	402	N/A	N/A	N/A
ARTEON PRYZM 16" Inset Fire- 4119 Curved	3	596	494	552	155	141	134	402	194	N/A	N/A
ARTEON PRYZM 22-16" Inset Fire- 4112	3	596	596	552	155	141	131	402	N/A	504	75

Tolerance +/- 1mm

Fire	Visible Glass Area (mm)	
	W	H
ARTEON PRYZM 16" Inset Fire- 4119	392	317
ARTEON PRYZM 16" Inset Fire- 4119 Curved	392	317
ARTEON PRYZM 22-16" Inset Fire- 4112	495	325

Important Safety Information

Read all the instructions carefully before using the appliance.

For indoor use only. This appliance is not suitable for use outside the house and only suitable for well insulated spaces or occasional use.

Do not use this appliance in the immediate surroundings of a bath, a shower or a swimming pool.

Do not use this fire as a free-standing appliance. It must always be fixed to the wall, fireplace mantel, floor etc.

This fire must not be located immediately below a socket-outlet.

Do not use this appliance as a primary heat source

If the fire is to be placed in front of an existing chimney opening and there is any risk of chimney debris falling down onto the fire or drafts from the chimney it is recommended that the flue or opening is sealed off with non-combustible non-fibrous insulation materials. Do not place into an existing fireplace that is prone to dampness. Should it be necessary to cap and seal the chimney to prevent personal injury, a professional should be hired to do the work


This appliance must be earthed.

CAUTION: In order to avoid a hazard due to inadvertent resetting of the thermal cut-out, this appliance must not be supplied through an external switching device, such as a timer, or connected to a circuit that is regularly switched on and off by the utility.

A non-rewireable plug fitted with a 13A fuse is supplied. Should the fuse or plug need replacing, and you are competent to do so, it must be replaced with a 13A fuse or plug being 13A BS1363A approved.

If the power cord is damaged, it must be repaired by the manufacturer, its authorised service centre or professional person.

During normal operation this appliance will emit noise from the internal fan unit

The meaning of this symbol  is **DO NOT COVER** **Warning:** in order to avoid overheating, do not allow the appliance to be covered or let the air inlet / outlet become obstructed.

To reduce the risk of fire, keep textiles, curtains, or any other flammable material a minimum distance of 1 meter from the air outlet.

Do not insert or allow foreign objects to enter any ventilation or exhaust openings as this may cause electric shock, fire or damage the appliance

Do not block air intakes or exhaust openings in any manner

Do not use on soft surfaces such as a bed, where openings may become blocked.

Keep the power cord away from hot surfaces and hot conditions. Do not route the power lead in front of the appliance.

Important Safety Information *Continued.....*

Do not use this fire in rooms that have explosive fumes in them (for example petrol), or if you are using solvents, glue, aerosol spray or in flammable paints, as these may catch fire.

This appliance can be used by children aged from 8 years and above and persons with reduced physical, sensory or mental capabilities or lack of experience and knowledge if they have been given supervision or instruction concerning use of the appliance in a safe way and understand the hazards involved.

Children and vulnerable people must be supervised at all times when using this appliance, as some parts can become very hot and cause burns.

Do not use this appliance in small rooms when they are occupied by persons not capable of leaving the room on their own, unless constant supervision is provided.

Cleaning and user maintenance shall not be made by children without supervision.

Children aged from 3 years and less than 8 years only can switch on / off the appliance provided that it has been placed or installed in its intended normal operating position and instructions and supervisions concerning the safe way of the use of the appliance are offered. Children aged from 3 years and less than 8 years shall not plug in, regulate and clean the appliance or perform user maintenance.

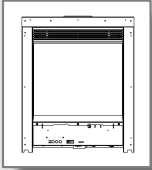
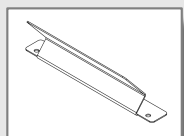
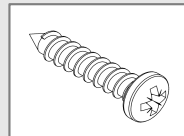
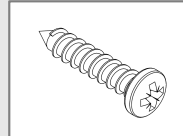
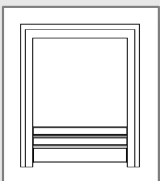
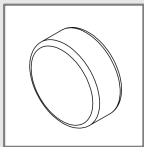
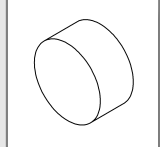
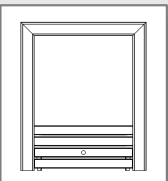
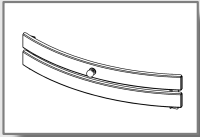
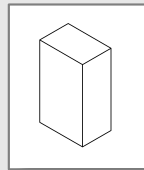
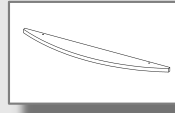
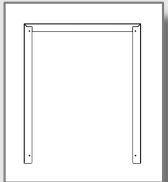
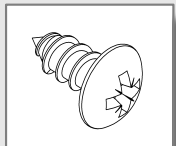
This appliance shall not be played with by children.

Children of less than 3 years should be kept away unless continuously supervised.

Keep the power plug accessible after installation.

Supplied Parts & Components

Note: The parts and components supplied vary between models.

Parts		Components		Components		Components	
Arteon 16"/22-16" Fire		Back Panel Clamp		4 X 20mm Pozi Pan Screws		3.5x20mm Black Dome head Screws	
	Qty 1		Qty 1		Qty 4		Qty 4
Ray - Trim		Ø10x4mm Magnet		Ø20x10mm Magnet			
	Qty 1		Qty 10 (2 Off Supplied Loose)		Qty 2		
Devotion - Trim		Fret Set		15mmx25mmx10mm Magnet			
	Qty 1		Qty 1 Set		Qty 4		Qty 2
Spacer Frame		4x10mm Dome Head Screw (DISCARD)					
	Qty 1		Qty 4				

Before you start

DO NOT dispose of the packaging until you have checked and made sure you have all the parts and fittings listed above. Dependent on trim option purchased.

If not, contact: **BE MODERN - HELPLINE 0191 430 0901** who will be able to assist you with this and any other problems you may encounter. **Where appropriate please recycle packaging responsibly.**

When you are ready to start, make sure that you have the right tools to hand, plenty of space and a clean dry working area.

Note: Protect the surface you are working on to prevent any possible damage to the fire surround, fire or floor.

Opening Sizes & Installation Introduction

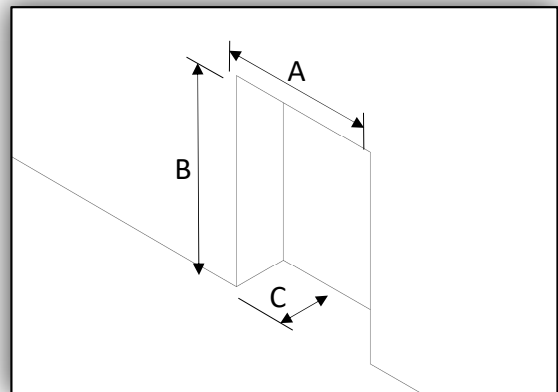
Opening Sizes

Note: Follow the below minimum clearances in order to fit the appliances into a back panel or cavity. Before the fire can be installed, consideration will need to be given to routing the power supply to the fire. We advise a qualified electrician conduct any electrical parts of the installation.

Note: An accessible single socket is required for the operation of the fire.

For efficient safe running of the fire we advise a **minimum** aperture opening area for both the 16" and 22-16" Arteon fires as specified in the table below.

FIRE MODEL	A (mm)	B (mm)	C (mm)
16" ARTEON	413	565	145
22-16" ARTEON	515	565	145
16" ARTEON & WITH SPACER FRAME	413	565	75
22-16" ARTEON & WITH SPACER FRAME	513	565	75



Installing the Arteon fire

1. Un-pack the fire, trim & all fixings from the packaging. If a spacer has been purchased proceed to **P9**, otherwise please follow the below steps.

2. Dependent upon your surround material there are different options to secure the fire & trim in place. For **timber** back panel surrounds the fire will be secured to the back panel by screwing in place using the fires fixing points (**see Fig.1**). For **marble** construction back panels an extra back panel clamp bracket has been provided to allow installation of the fire into marble surround.

IMPORTANT - This bracket must be used if fitting the cast trim to the fire.

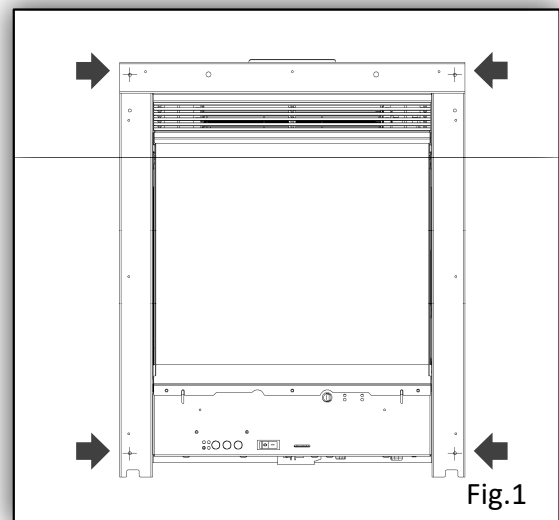


Fig.1

Installation in a Timber Back Panel

3. Position the fire centrally with in the back panel.

IMPORTANT: If a power cable is to be routed to the rear of the mantel. Care must be taken not to crush or damage the cable when positioning the fire.

4. Mark the fixing points in pencil on the back panel (**see Fig.1**) & remove the fire to prevent any damage. Using the marked fixing points drill 2.5mm pilots holes 6mm deep.

5. Reposition the fire in the back panel over the pre-drilled fixing points and screw securely in place with the 4-off 4 X 20mm Pozi Pan Screws.

NOTE: Care must be taken not to over tighten the fixing screws, distorting the fire metalwork.

Installation *Continued*.....

Installation in a Marble Back Panel

6. Screw the back panel clamp bracket to the top of the fire by removing 3-off 10mm dome head screws fixed in the top of the fire. **(See Fig. 2.)**

There are three mounting positions dependent on the back panel thickness or if a spacer is being used. **(See Fig. 2.)**

7. Due to the variation in marble back panel thickness, the back panel clamp bracket may need to be bent forward or backwards by hand to aid fitment.

NOTE: The bracket has been design to prevent the fire falling forward only and is not expected to be a tight fit.

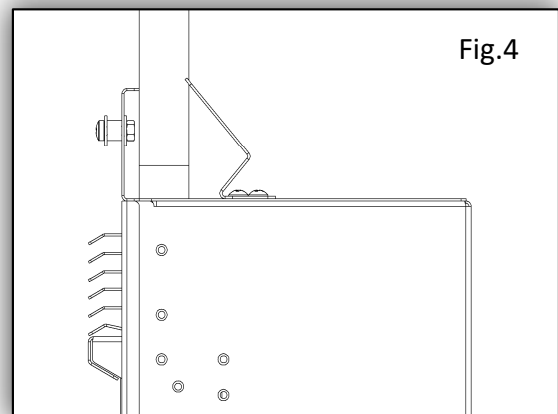
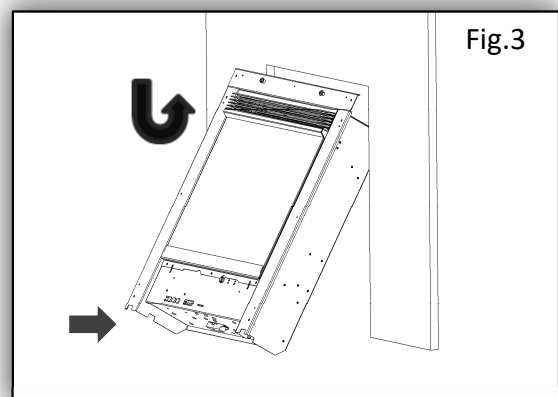
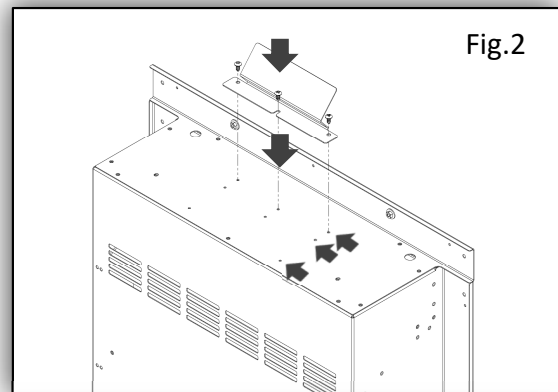
8. To fit the fire in place. Position the rear hook bracket under the back panel at an angle **(See Fig.3/4)** taking care not to trap the power cable.

NOTE: Care must be taken not to scratch the surround hearth at this stage of installation.

Once the fire lower rear edge has cleared the hearth, the fire can be stood up right and slowly eased back in to the back panel cut-out.

To overcome the spring effect of the clamp, light pressure may be added to the fire to allow the fire to move back into place in the back panel cut-out. When the fire is in its finished position the back panel clamp bracket will secure the fire against the back panel.

9. In the event the fire needs to be removed. Lift the fire vertical and angle the fire out of the back panel cut-out from the bottom.



Installation *Continued*.....

Spacer Frame Assembly & Installation

10. If the spacer frame is to be used for the installation, position the back panel clamp to the rear screw position. Begin by removing 3-off 10mm dome head screws fixed in the top/front of the fire. **(See Fig. 2.)**

When the clamp is used in the rear fixing position the removed middle screw is not required.

Instead the middle fire body screw should be backed off 2mm to allow the clamp bracket to slide under the screw head.

Now the remaining two screws can be fitted in place. Tighten all three screws to secure the clamp bracket.

(See Fig. 5.)

11. Due to the variation in marble back panel thickness. The back panel clamp bracket may need to be bent forward or backwards by hand to aid fitment.

NOTE: The bracket has been designed to prevent the fire falling forward and is not expected to be a tight fit.

12. For fitment of the spacer frame, position the spacer over the rear of the fire and line up the fixing points with the mounting holes in the fire body.

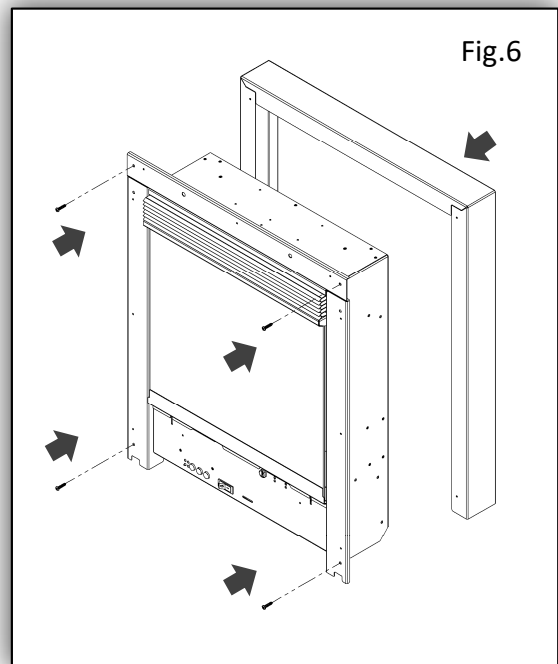
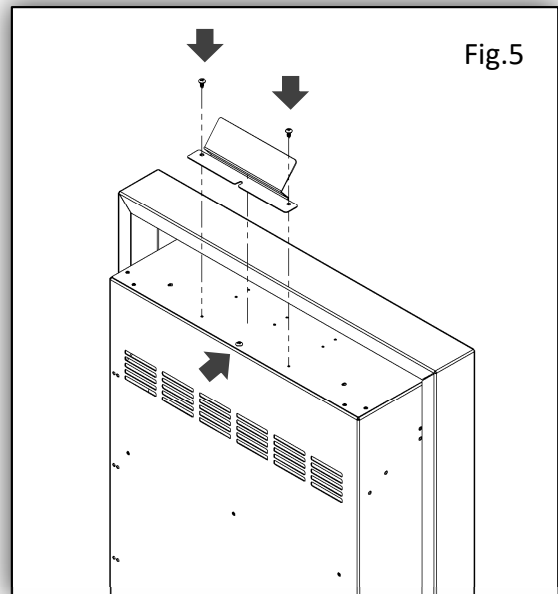
For this installation the four short mounting screws supplied with the spacer frame **are not** required and can be put to one side.

In their place four 4 x 20mm black dome head screws have been supplied with the fire. **(See Fig. 6.)**

13. Screw through the fire mounting points to secure the spacer to the fire.

NOTE: care must be taken not to over tighten the fixing screws, distorting the fires metalwork. **(See Fig. 6.)**

14. For installation in a marble or timber back panel with spacer frame installed. Please follow **Step 8** in the installation process.



Installation *Continued*.....

Devotion Trim & Fret Assembly & Installation

15. Remove the trim from the packaging and unpack the fret part from the secondary packaging box, packed down the side of the fire.

16. If applicable remove the protective film from the finished face of the trim and fret parts.

NOTE: Care must be taken when assembling the trim components to prevent scratching or damage.

17. The two bar lower fret (ash pan) will be pre-assembled, but will need the knob fitting. Place the provided screw through the hole in the fret from the rear and hold in place whilst screwing the knob on to the screw from the front. When the knob is finger tight. Hold the knob securely and tighten the screw with a screw driver. **(See Fig.9.)**

18. Attaching the top fret parts to the trim assembly. Place the top fret cross bar over the upper most mounting studs and secure with the 4-off nuts supplied.
NOTE: The notched section of the cross bar should be at the bottom facing downwards. **(See Fig. 10.)**

19. Repeat **Step 18.** for the second fret cross bar. On the next set of mount studs down.

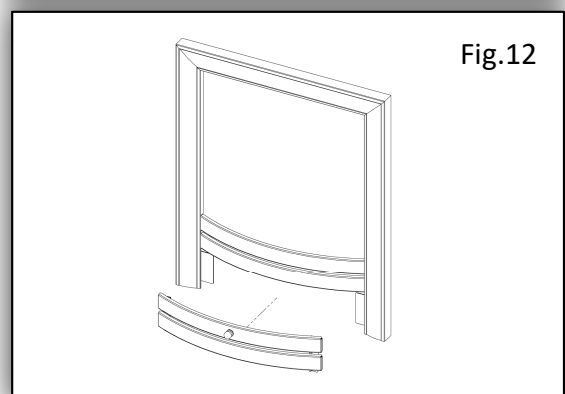
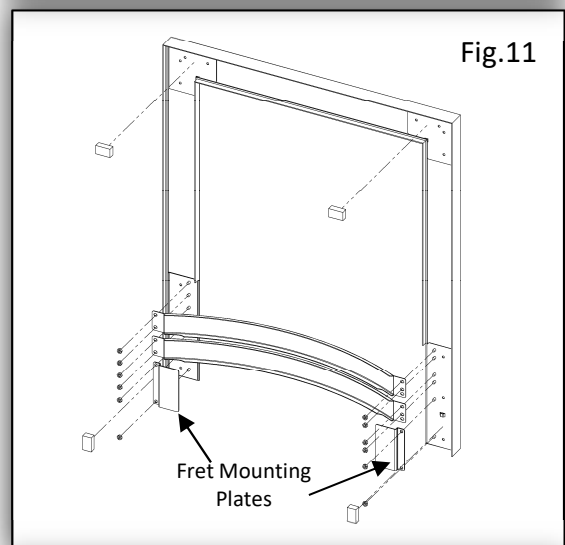
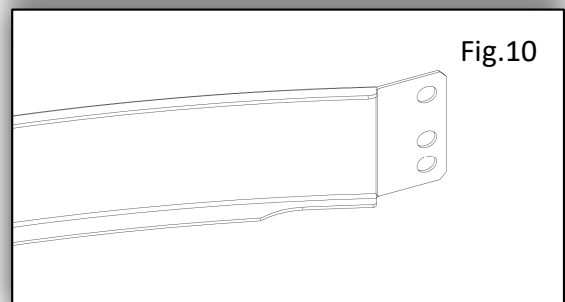
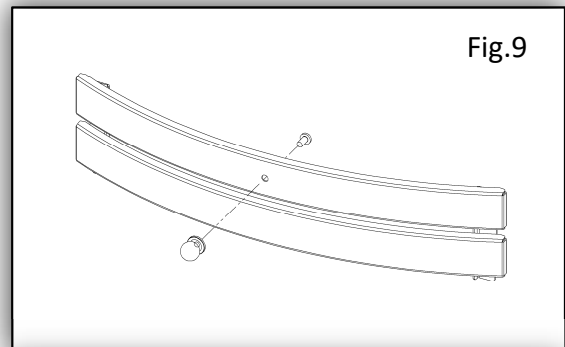
20. Place one of the lower fret mounting plates over the bottom two stud on the trim assembly and secure with the supplied nuts. Repeat for the opposite side.
(See Fig. 11.)

21. Position the 4-off supplied magnet blocks on the indicated positions on to the back of the trim.
(See Fig. 11.)

NOTE: The two bar lower fret has its on magnets attached.

22. Position the assembled trim over the installed fire body, the magnets will secure it in place.

23. To finish the Devotion trim installation place the pre-assembled lower fret over the magnetic mounting points in line with the upper fret cross bars. **(See Fig. 12.)**



Installation *Continued*.....

Ray Trim Assembly & Installation

24. If applicable remove the protective film from the finished face of Parts A. & C.

NOTE: Care must be taken when assembling the trim components to prevent scratching or damage.

If the trim is pre-assembled please proceed to **Step 29**, if not please follow from **Step 25**.

25. To install the Ray trim. Start with Part C.
Drop down the bottom fret bar and position Part E. 2-off 20mm Dia. magnets on the rear face of the bottom fret bar. (See Fig. 13/14.)

26. Close the fret bar parallel to the trim body. This will prevent movement on installation.

27. Lay Part A. face down on a clean surface and position Parts B. 2-off 10mm Dia. magnets together in each corner of the rear face. (See Fig. 13/14.)

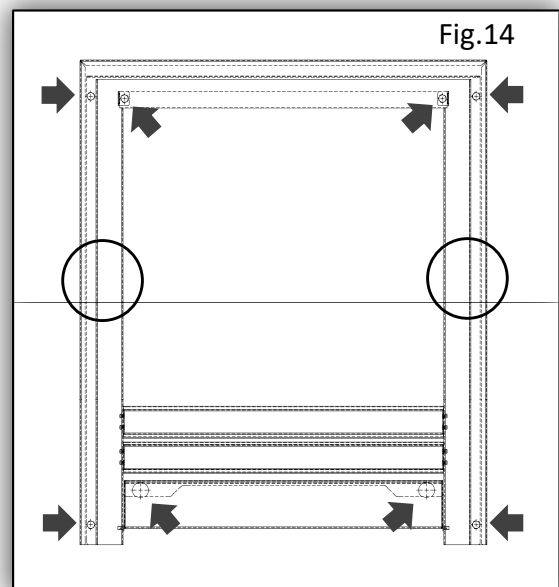
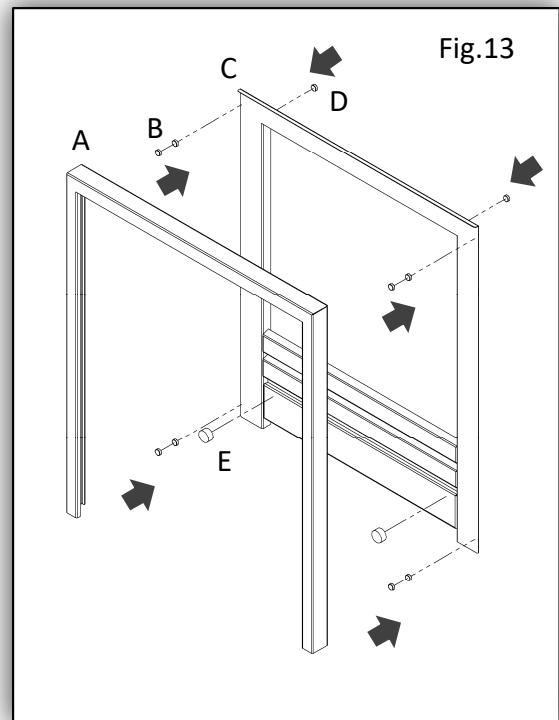
28. With Part A. placed face down, place Part C. over the rear of Part A.

NOTE: The magnets are strong and may jump about when joining the parts. Care must be taken at this stage not to scratch the finished faces.

29. To finish the sub assembly of the Ray trim position Parts D. 2-off 10mm Dia. Magnets on the tabs (supplied loose) at the rear Part C. (See Fig. 14.)

30. To position the trim on the fire hold the assembled trim at the **midpoint** of each leg (circled) and place over the fire, Part D. magnets will hold the fret in position.

31. To remove the trim for cleaning. Hold the assembled trim at the **midpoint** (circled) of each leg and lift away the full trim assembly as one.



Cast Trim Assembly & Installation

32. If a Cast Trim has been purchased please follow the separate installation instructions provided with the Cast Trim.

NOTE: The spacer frame can not be used with the cast trim.

Internal Fuel Bed Layout & Log Positioning

NOTE: The logs between the 16" and 22-16" Fires differ in size.

The dressing of the fuel bed can be fully tailored to the customer's individual tastes. A sufficient amount of each fuel bed finishing material has been provided to cover the fuel bed in a single type of material.

The fuel bed material can be found in the cardboard box positioned behind the front glass. To access this and dress the fuel bed, the glass needs removing.

Please follow the below steps:

33. Remove any installed trim.

34. **CURVED FUEL BED OPTION ONLY.** Remove the 2-off screws holding the curved fuel bed in position. The fuel bed can now be moved down and out. Off the mount hooks. **NOTE:** The LEDs can remain connected. (See Fig. 15.)

35. Remove the 3-off screws holding the glass retaining bracket in position. (See Fig. 15.)

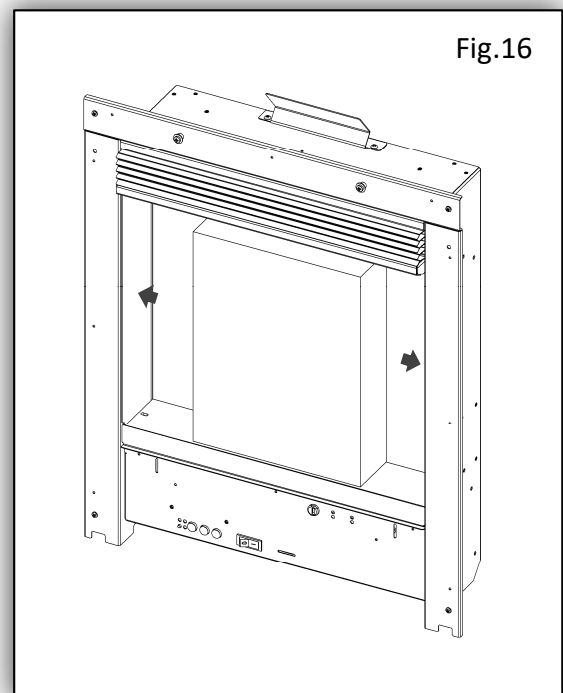
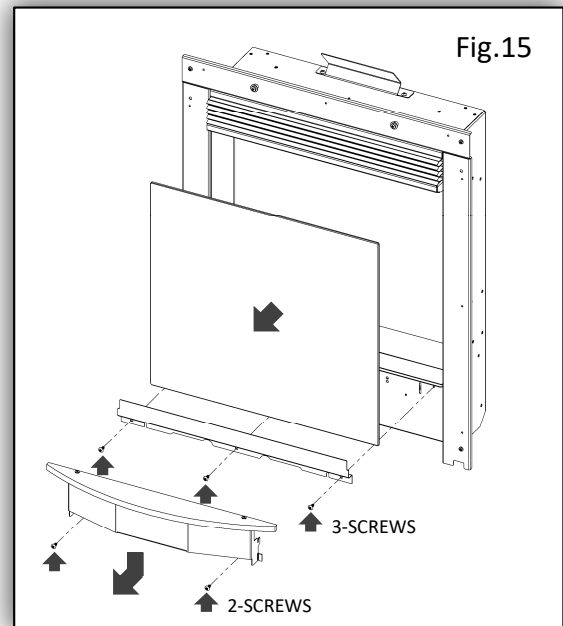
NOTE: The glass sits on a small ledge, however we recommend holding the glass against the fire on the edge with your free hand whilst removing the glass retaining bracket.

36. Once the glass retaining bracket has been removed, angle the glass out from the bottom, past the small ledge and lower it out of the groove at the top of the fire.

NOTE: Place the glass safely to one side to avoid, until it is required to be refitted.

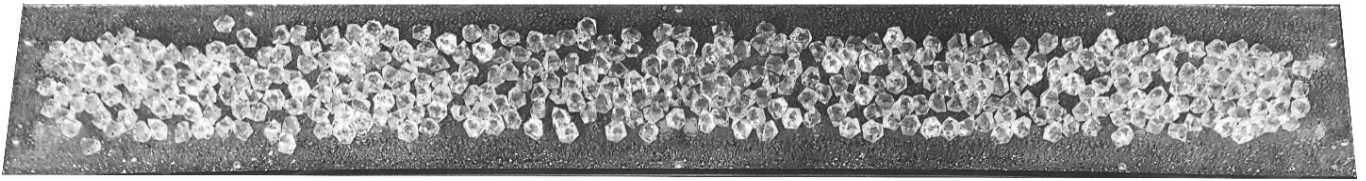
36. Carefully remove the cardboard box behind the screen. If applicable, carefully remove the protective covering from the polished side panels. Indicated with arrows. (See Fig. 16.)

37. Progress with dressing the fuel bed as detailed on P13.



Internal Fuel Bed Layout & Log Positioning *Continued*....

Fuel Bed Dressing- As a starting point follow the example below:



Place a large amount of **crystals** in the centre of the fuel bed- leaving a gap around the edges.

Tip- The crystals pick up light from the under bed lights to give you a realistic glowing ember effect, so we recommend using a generous amount.

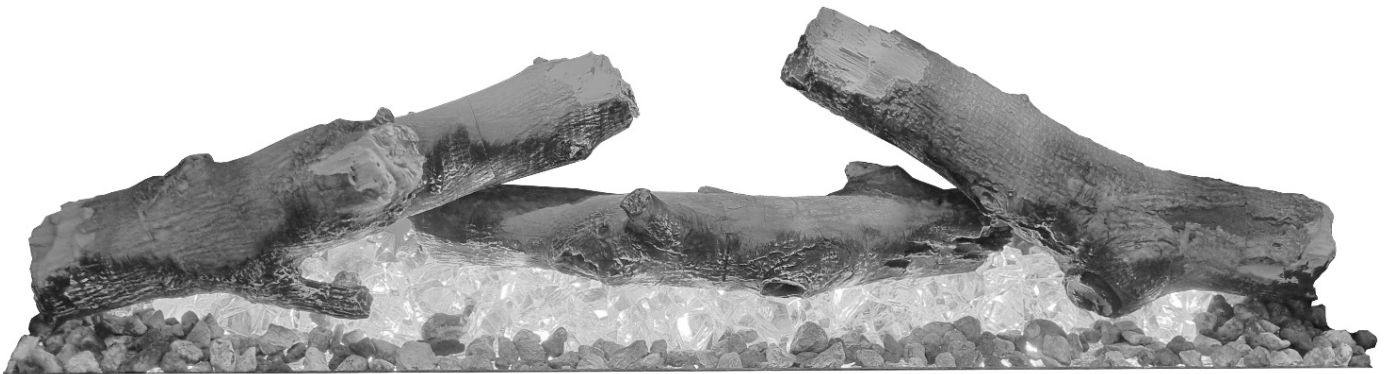


Fill the space around the edges of the crystals with the **pebbles**, as well as randomly in between the crystals.



Add the bark sparingly and randomly across the top of the crystals and pebbles. **Finally arrange the logs on top.**

Positioning the logs- As a starting point follow the example below:



Above shows an example of the **3 X** log set up for the **Arteon 16"**.

For the **Arteon 22-16"**, the same layout can be followed, however please note the logs on the 22"-16" fire are larger at each end.

Replacing The Glass

Once the fuel bed has been dressed, replace the glass following the steps on **P12** in reverse order.

Dressing the External Fuel Bed

(16" Arteon Curved Only)

NOTE: There are two options for the curved front fuel bed:

- A. A molded pebble & crystal fuel bed
- B. An acrylic fuel bed (for use if full crystal, bark, slate coverage is required)

Please follow the below steps:

38. Remove any installed trim.

39. Remove the 2-off pre-fitted screws from the metal curved front fuel bed at each side. **(See Fig.17.)**

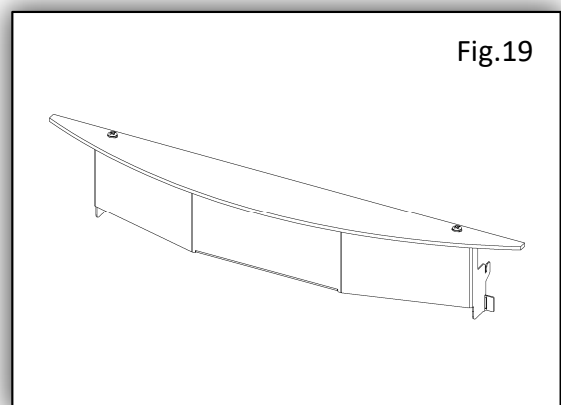
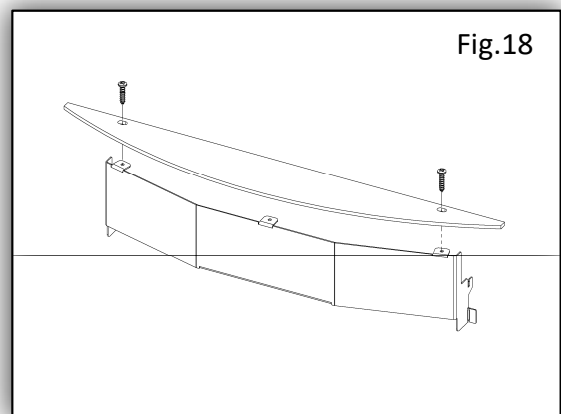
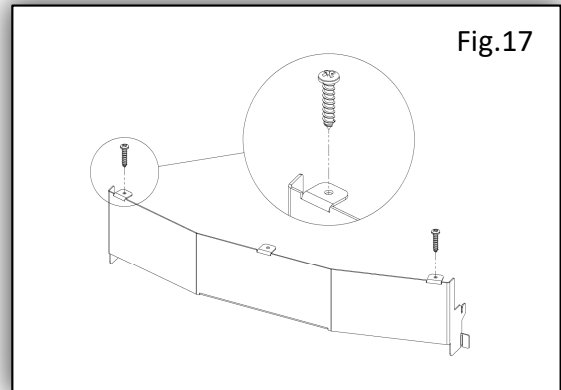
40. Decided on the fuel bed you wish to install

41. Fix using the previously removed 2- off screws. **(See Fig.17/18)**

NOTE: Be careful not to over tighten the screws.

42. If the acrylic fuel bed has been installed, proceed with covering with crystals, bark or slate. **(See Fig.19.)**

43. The molded pebble and Crystal fuel bed can have bark, slate or further crystals added as per your individual requirements.



User Instructions - Introduction

WARNING! Do not operate the appliance if it is damaged or has malfunctioned. If you suspect the appliance is damaged or has malfunctioned call a qualified service engineer to inspect the appliance, and replace any part of the electrical system if necessary, before reuse.

WARNING! To reduce the risk of fire, keep textiles, curtains, or any other flammable material a minimum distance of 1 meter from the air outlet.

MAKE SURE the plug fits tight in the outlet. Faulty wall outlet connections or loose plugs can cause the appliance to overheat.

Do not disconnect the power at the mains supply whilst the appliance is running. Use the functions on the remote to turn the fire off and ensure the mains switch has been moved to the off position before disconnecting.

PREPARATION FOR USE

This appliance can be operated by manual control, remote control or APP. NOTE: To use the appliance the main power switch must be in the 'ON' position.

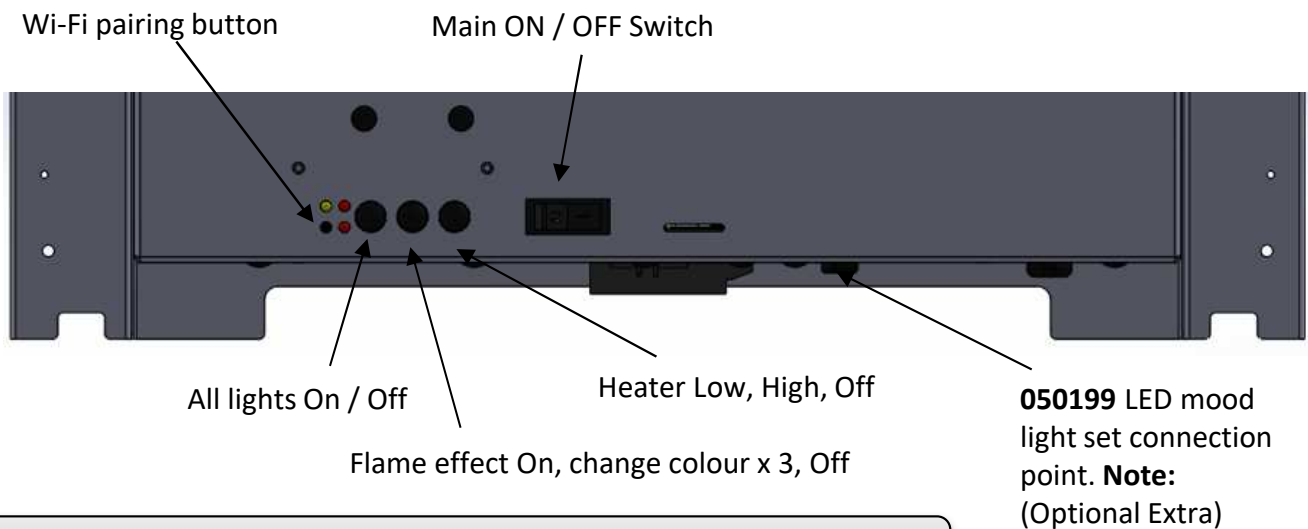
Batteries

Ensure that the handset batteries are new and inserted correctly.

Main Power Switch

This needs to be switched ON before operating the appliance. A long beep will be heard to indicate the fire is ready for use.

User Instructions – Manual Control



NOTE: The manual buttons control basic functions, not a full range of controls. Use the remote handset or APP to carry out all functions.

Turning on the appliance with the main power switch to “—” position. A long beep will be heard.

Press “Heater button” to turn the heater on. The heater will come on low setting, press again to enable high setting and again to turn off the heater.

Press “FLAME” button to turn on the flame effect and cycle through the 3 colours of flame effect and off. When you choose to turn the flame effect off it will slowly fade and then turn off.

Press “Light button” to turn all the lights on / off.

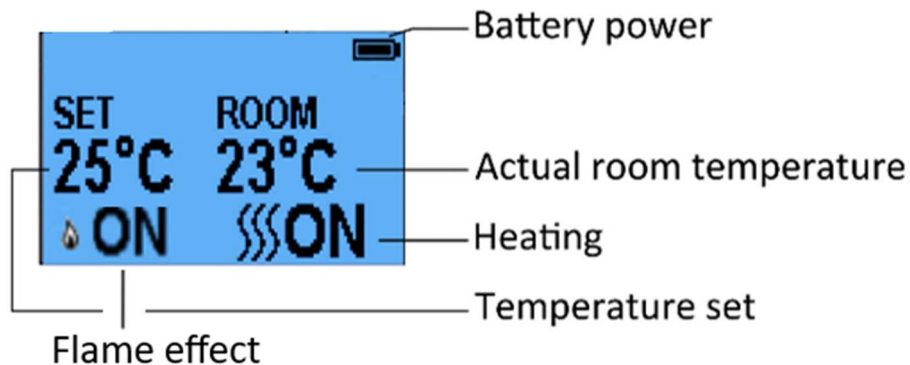
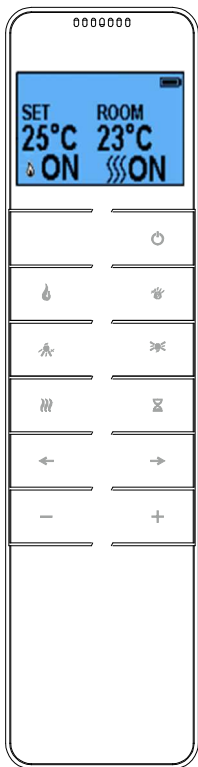
NOTE: The controls on appliance will lose the memory for all function settings when the switch is set to the Off Position.







When the remote runs out of power or when you change the batteries, the flame function will lose its memory, however this will not affect the timer settings, the clock and date may need to be adjusted.

Remote Control Pairing

The fire and remote are already paired, however if you need to pair the remote or a replacement remote press and hold the “All Lights On / Off” button until you here two beeps then press the power button on your remote control, you will hear a single beep confirming the pairing process has been complete.

User Instructions – Remote Control



	Power Button	Used to turn on and off all the lighting effects.
	Flame	Used to turn on the flame effect function. There are total three flame effects: high power yellow, high power yellow + amber, high power red and off. Press “←” “→” buttons to choose the type of flame, press “+” “-” buttons to adjust flame brightness, the brightness can be adjusted in 5 levels (excluding OFF).
	Mood Lighting	Used to turn on the mood lighting function. There are total 13 mood lighting colours plus a 13 colour cycle. Press “←” “→” buttons to choose the type of mood light, press “+” “-” buttons to adjust background light brightness, brightness can be adjusted in 5 levels (excluding OFF).
	Fuel Bed	Used to turn on the fuel bed lighting function. There are total 8 fuel bed modes, press “←” “→” buttons to choose the type of fuel bed light, press “+” “-” buttons to adjust fuel bed brightness, brightness can be adjusted in 5 levels (excluding OFF).
	Downlights	Used to turn on the down lights function. There are total 8 downlight modes and an 8 colour cycle. Press “←” “→” buttons to choose the type of spotlights, press “+” “-” buttons to adjust spotlight brightness, brightness can be adjusted in 5 levels (excluding OFF).
	Timer	Used to turn on the timer function. Timing settings: 0.5H,1H,2H,3H,4H,5H,6H,7H,8H,9H,10H,turn off. A total of 12 cycles; Default timer is set to off. Press the button once to set the timer 0.5H, press again for the next timing setting. When the heating is in AUTO, turn on countdown timer. At the end of the countdown, all functions will be turned off, the smart mode is also turned off.
	Heat	Used to turn on the heating. There are two heating modes: LOW and HIGH then OFF. Press “+”, “-” buttons to adjust the set temperature, the temperature setting range is 6-35 °C.
	Left/Right buttons	Used to move the cursor to select corresponding changes, such as the selection of lighting types
	Plus/Minus buttons	Used for digital increase and decrease, gear increase and decrease adjustment when lighting brightness setting, etc.

User Instructions - APP Control

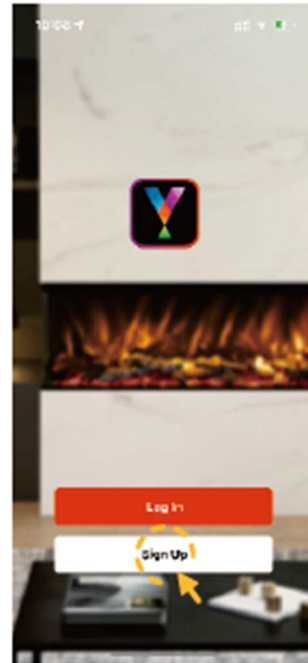
Download the APP and Register an account

1. Download "My Pryzm" APP



My Pryzm

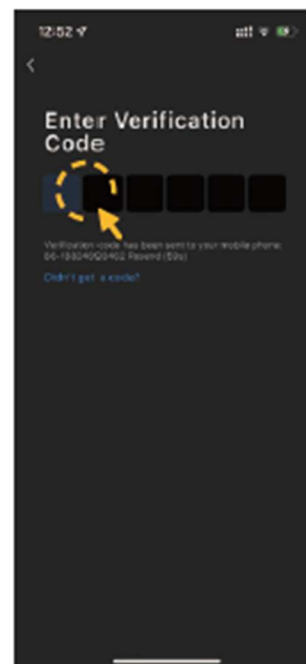
2. Register an account



3. Choose your country. Enter your mobile number or a valid Email address to get verification code.



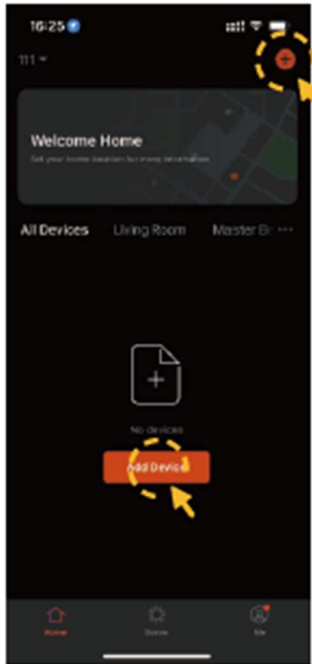
4. Enter the verification code.



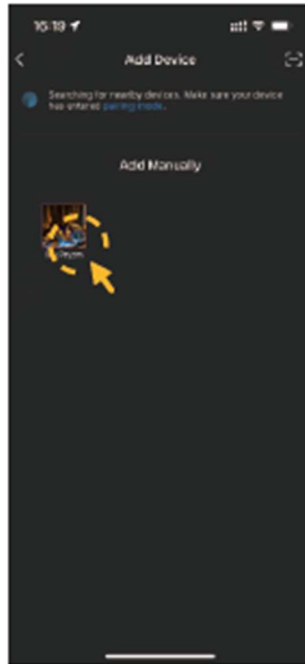
User Instructions - APP Control

Add a device

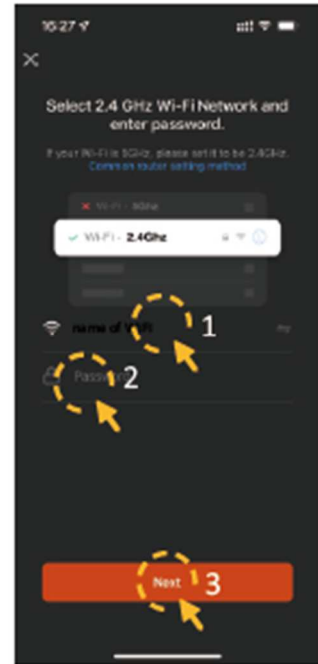
1. Click Add Device or “+”



2. Download "My Pryzm" APP

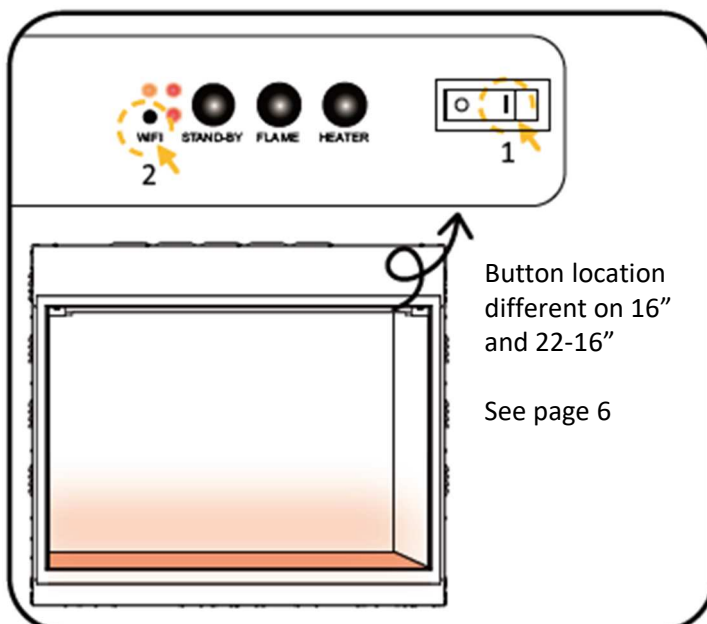


3. Select Wi-Fi network and enter the password, click “Next”

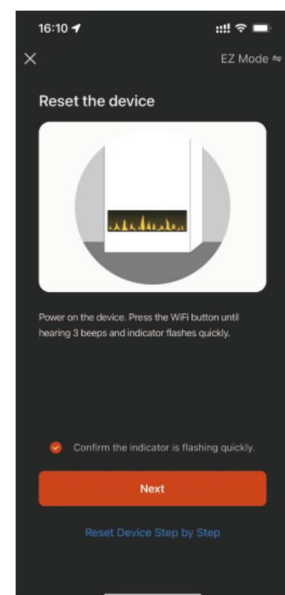


NOTE: Make sure your router is using a 2.4 GHz channel. The distance between the router and fireplace isn't less than 50cm.

4. Turn on the appliance, then press and hold the Wi-Fi button until you hear **3 beeps**. The Wi-Fi indicator and fuel bed start to flash.



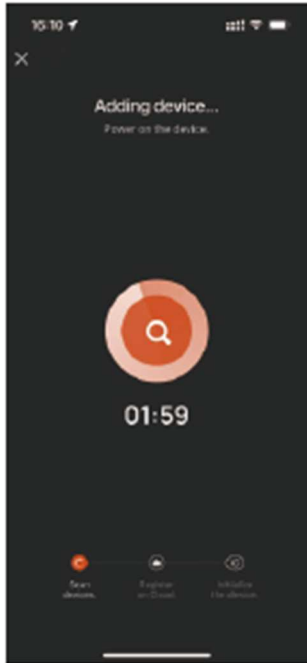
5. Choose the EZ Mode, confirm the indicator is flashing and click "Next".



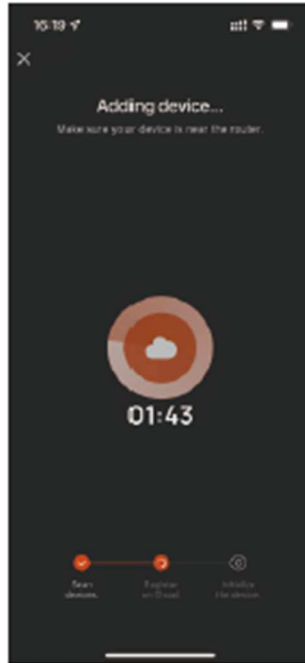
User Instructions - APP Control *Continued*.....

Add a device - continued

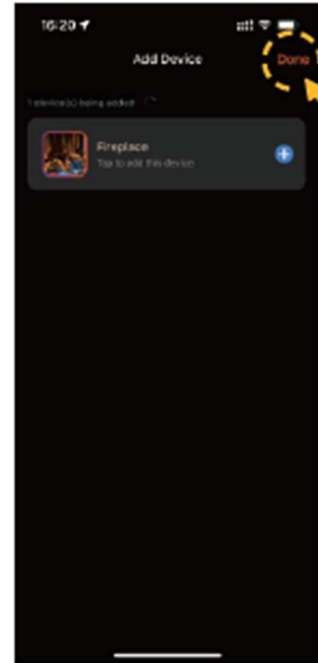
6. Start to add device



7. Once added the fuel bed will turn green and stop flashing

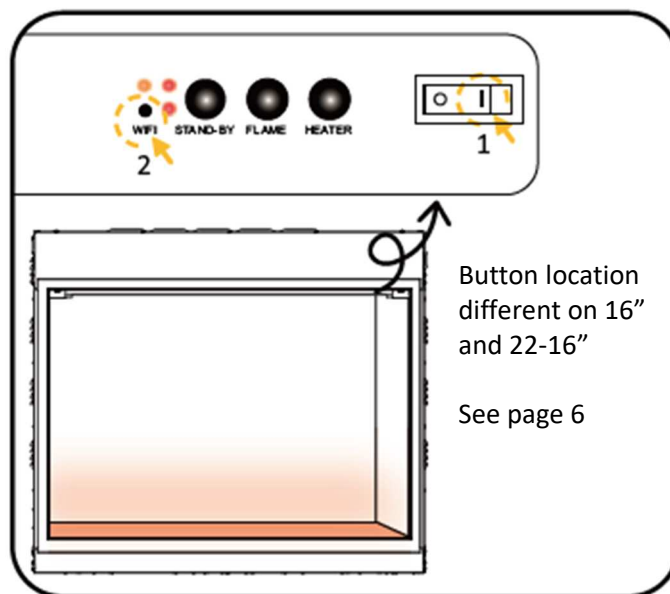


8. Click "Done" to complete Pairing



8. If the pairing fails in EZ Mode, please try AP Mode

9. Press and hold the Wi-Fi button, you will hear 3 beeps. Keep pressing until you hear other 5 beeps and the indicator flashes quickly



User Instructions - APP Control *Continued*.....

Add a device - continued

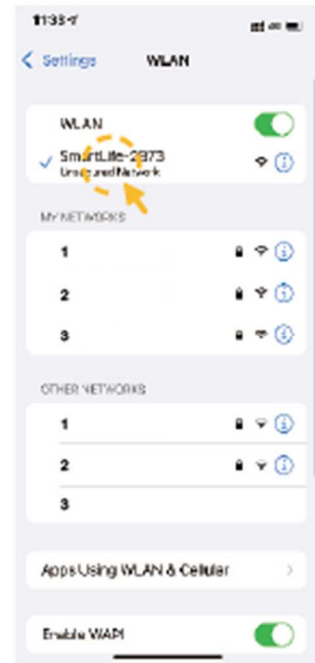
10. Choose the AP Mode, confirm the indicator is flashing and click "Next".



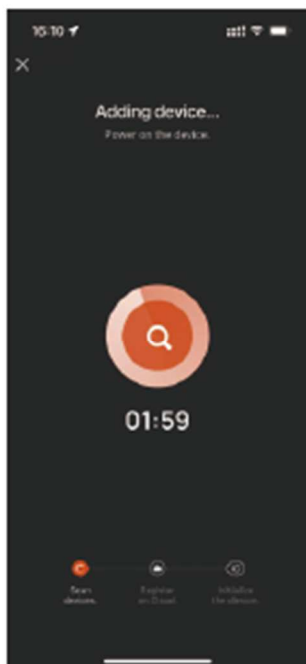
11. Click "Go to Connect"



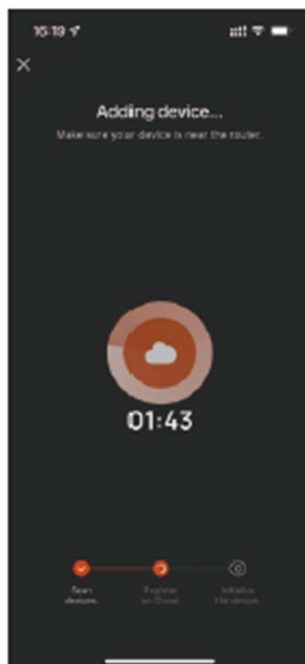
12. Choose a Wi-Fi called "SmartLife-XXX".



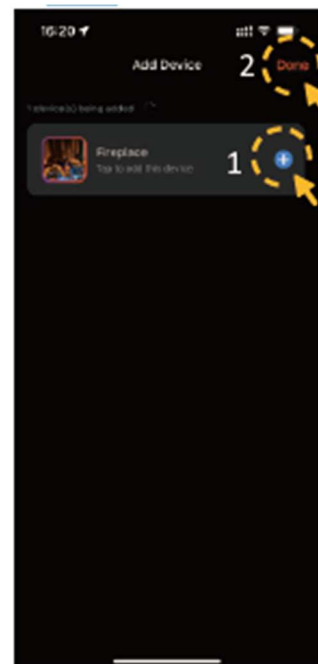
13. Go back to the APP. Start to add device



14. Adding device



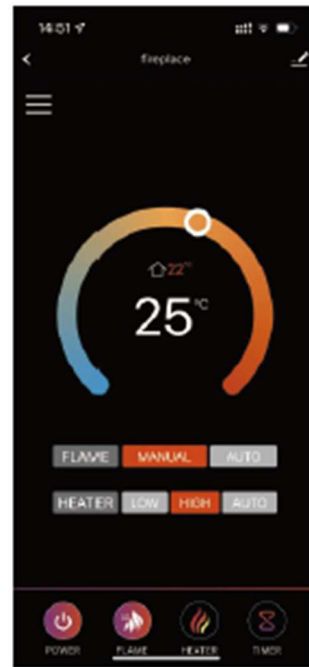
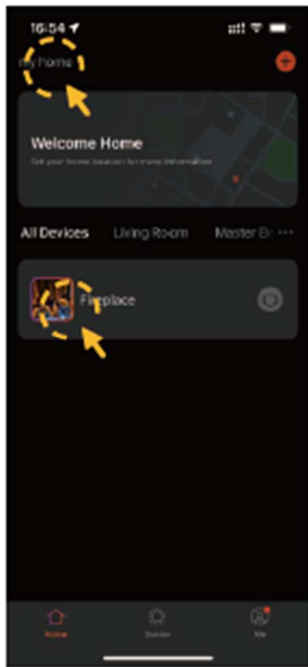
15. Once added. Fuel bed will turn green and stop flashing



User Instructions - APP Control *Continued*.....

Add a device - continued

16. Click the name of fireplace to enter the home screen



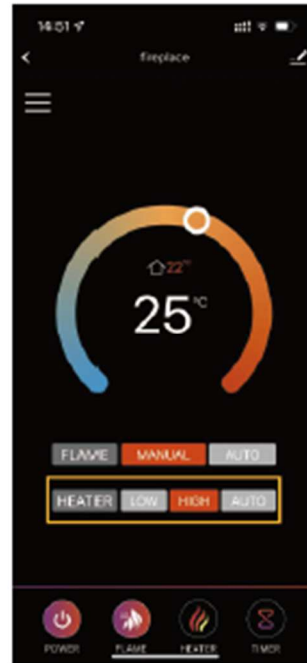
User Instructions - APP Control *Continued*.....

Using the APP - Home Screen

Flame mode



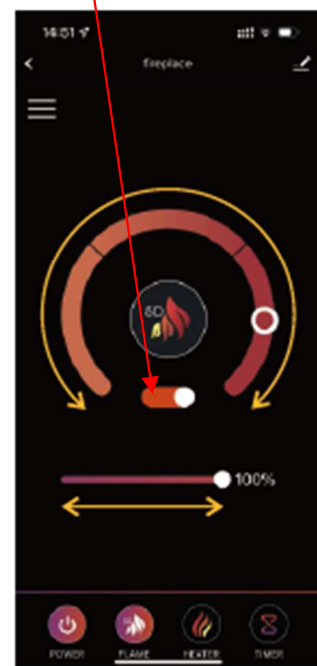
Heater mode



NOTE: The AUTO mode will only work when you set the daily / weekly timer for the flame effect or heater.

Using the APP - Changing the Flame Effect Colour

Use the slide bar to turn off / on the lights

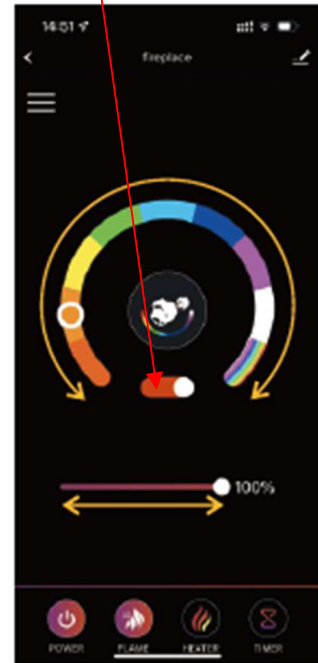


NOTE: The slider under the flame effect colour options controls the brightness from 0% (off) to 100%.

User Instructions - APP Control *Continued*.....

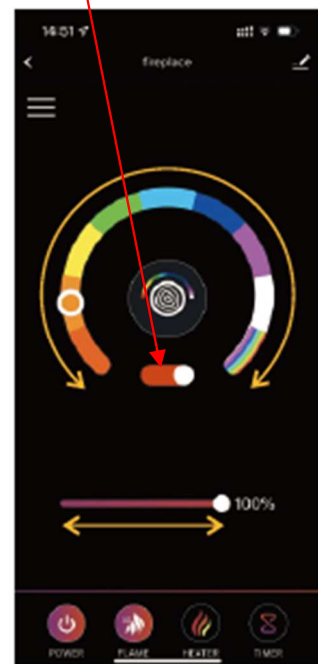
Using the APP - Changing the Fuel Bed Colour

Use the slide bar to turn off / on the lights



Using the APP - Changing the Downlight Colour

Use the slide bar to turn off / on the lights

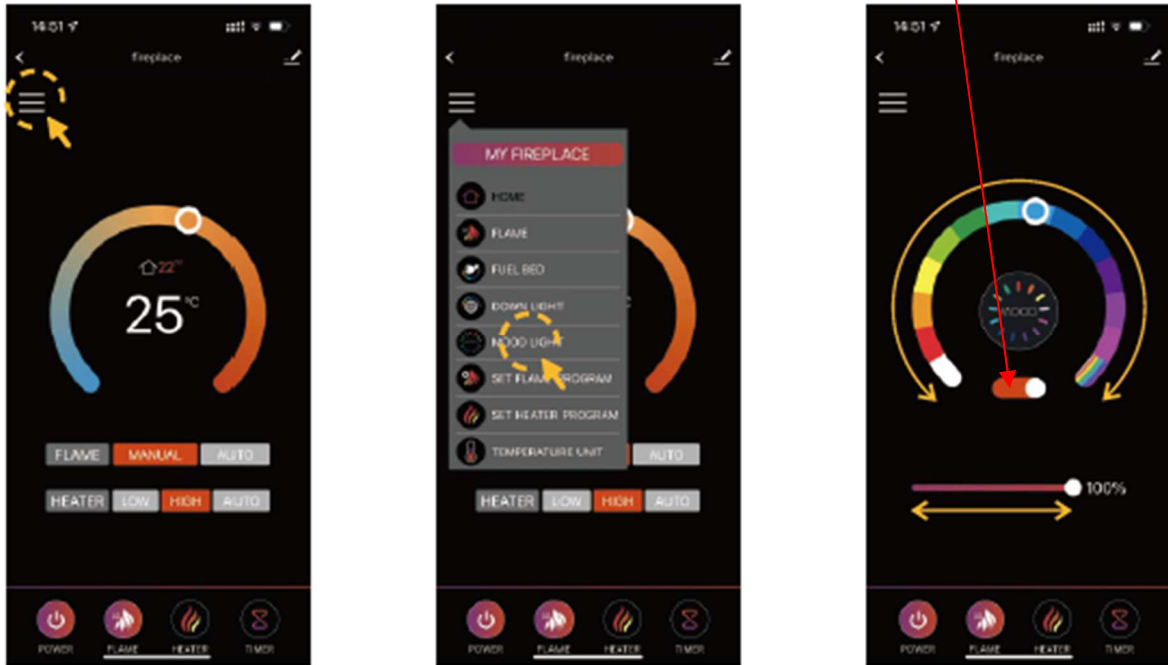


NOTE: The slider under the colour options controls the brightness of the lights from 0% (off) to 100%.

User Instructions - APP Control *Continued*.....

Using the APP - Changing the optional mood light Colour

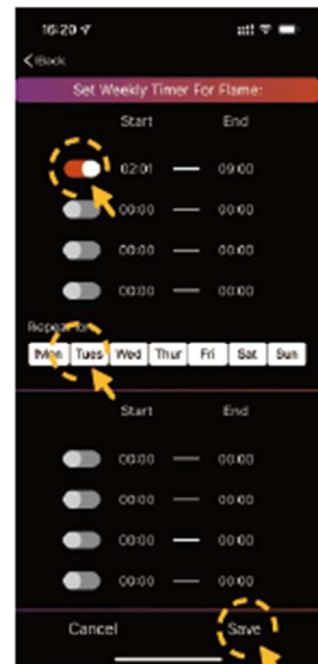
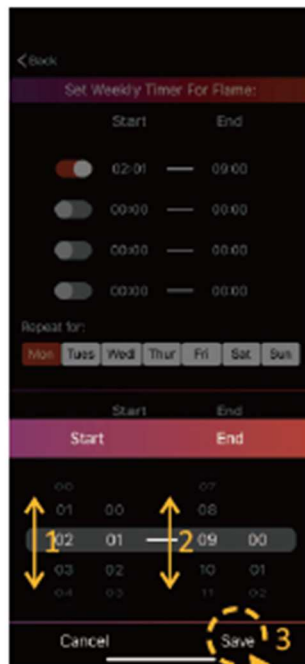
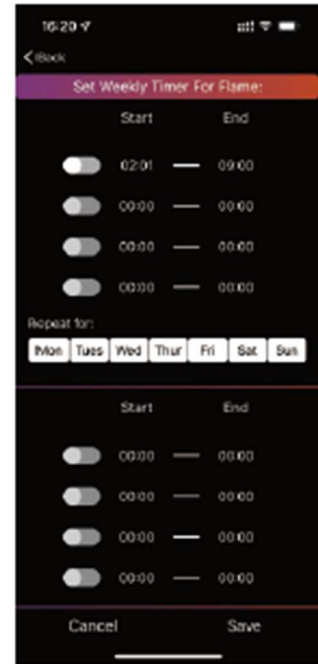
Use the slide bar to turn off / on the lights



NOTE: The slider under the colour options controls the brightness of the lights from 0% (off) to 100%.

User Instructions - APP Control *Continued*.....

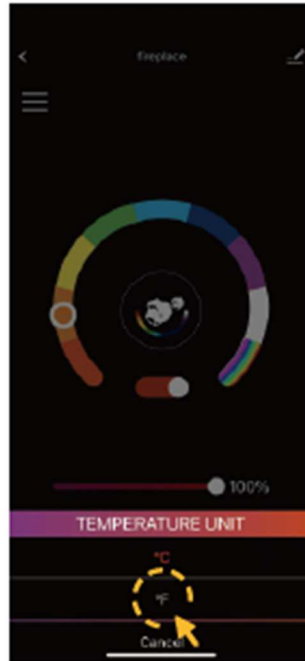
Using the APP - Setting a flame effect program. Up to 4 time periods per day with 3 different weekly schedules can be programmed



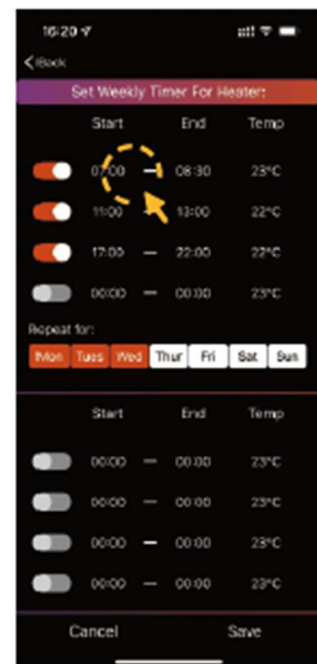
User Instructions - APP Control *Continued*.....

Using the APP – Setting temperature unit

Manually changing the temperature

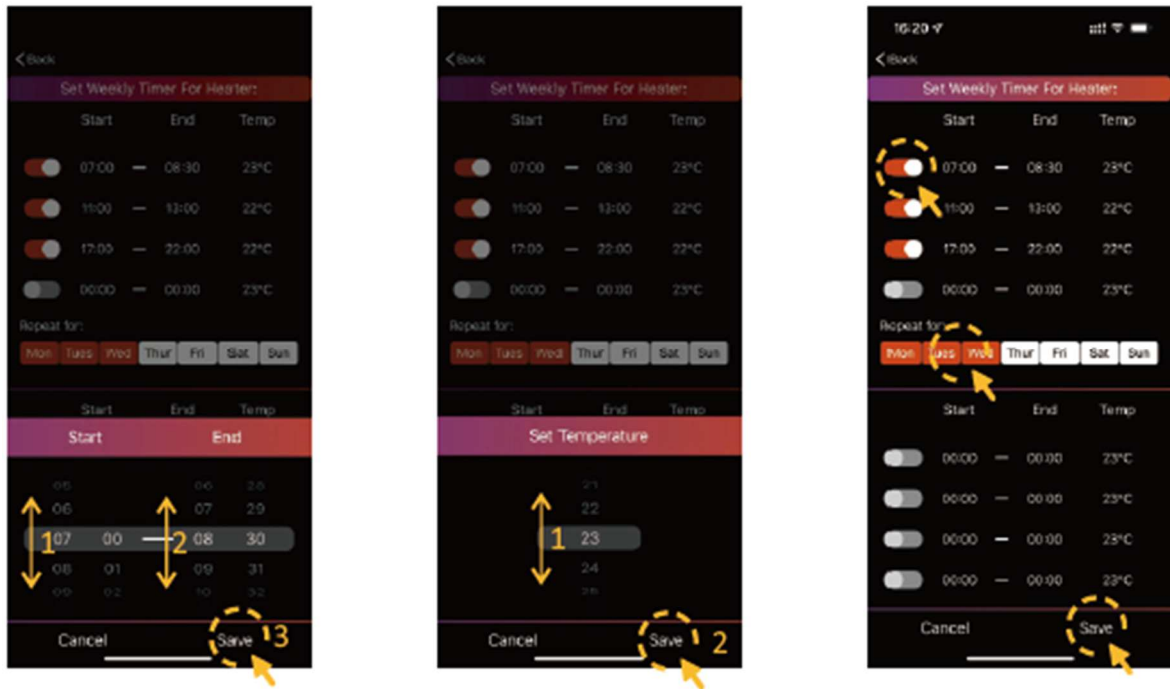


Using the APP – Setting a heating program. Up to 4 time periods per day with 3 different weekly schedules can be programmed



User Instructions - APP Control *Continued*.....

Using the APP - Setting a heating program continued




Using the APP – Setting the timer

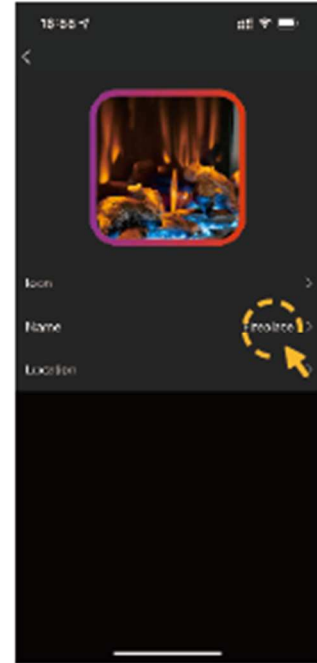
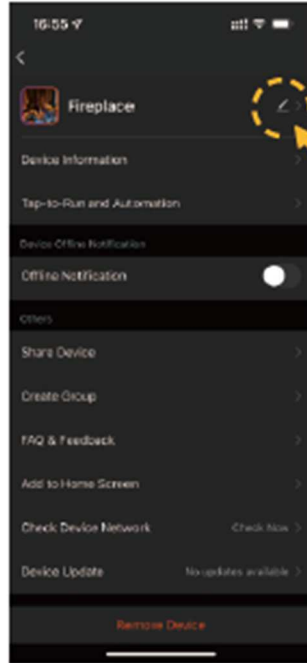


User Instructions - APP Control *Continued*.....

Using the APP - Renaming your device

1. Click the 

2. Click the  you can create a new name for your device



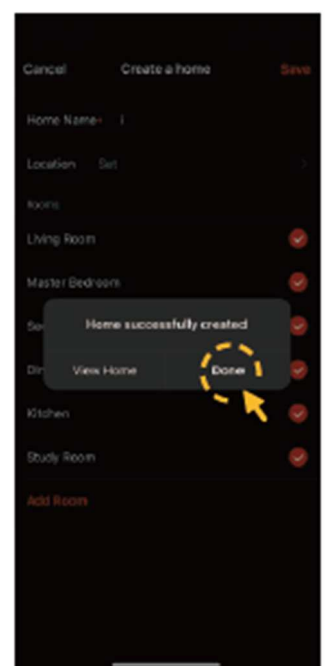
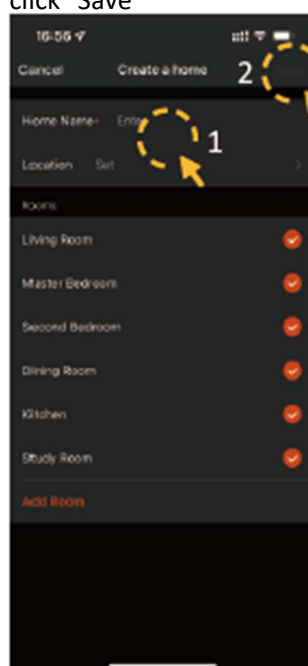
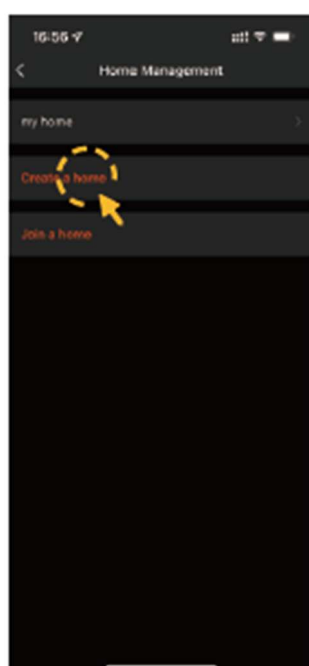
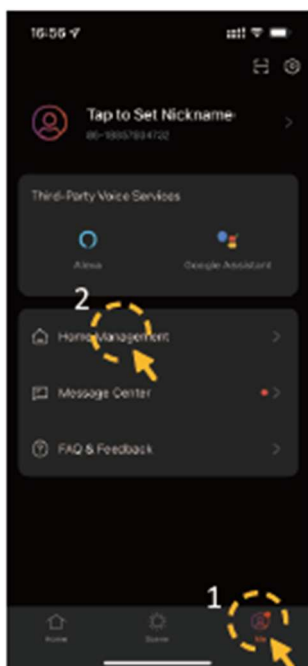
Using the APP – Creating a “Home”

1. Click the “Home Management”

2. Click “Create a Home”

3. Enter a home name, select the home location and room(s), then click "Save"

4. Click “Done”

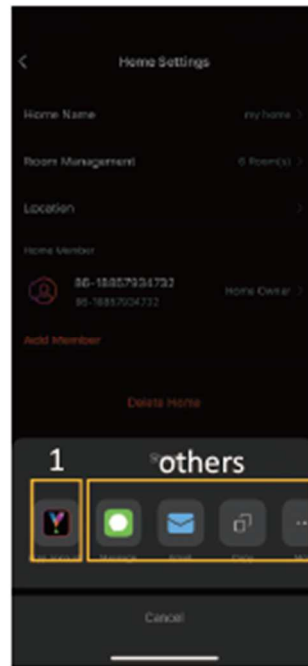
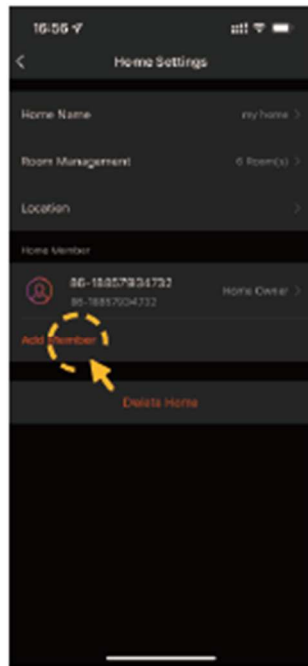


User Instructions - APP Control *Continued*.....

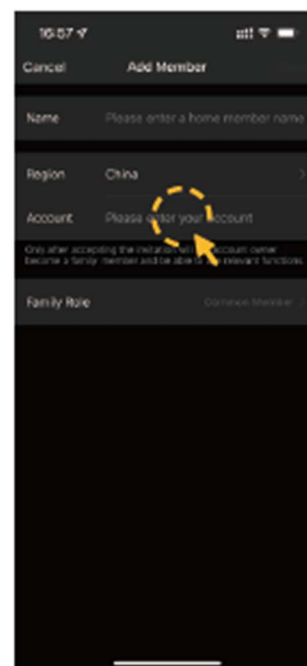
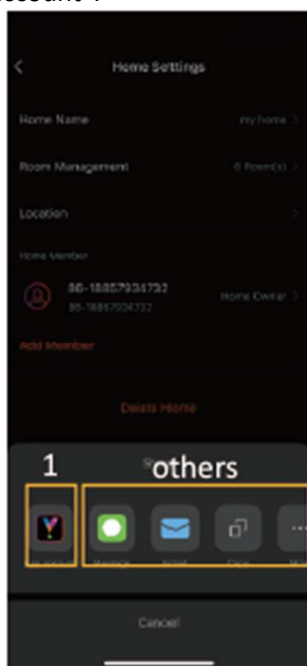
Using the APP – Adding a Member

NOTE: Download the APP for the new member first.

1. Select "Me" → "Home Management" → "Name of Home" → "Home Settings". Select "Add Member".



2. Select 1: "APP account".

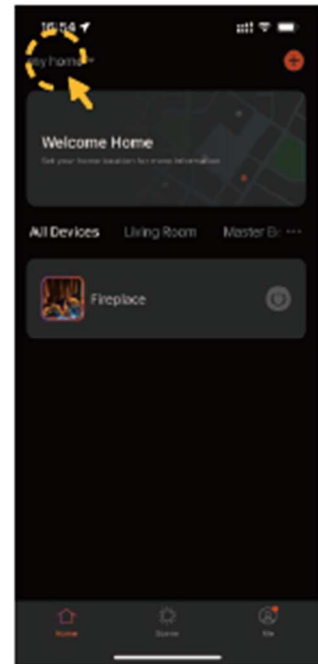
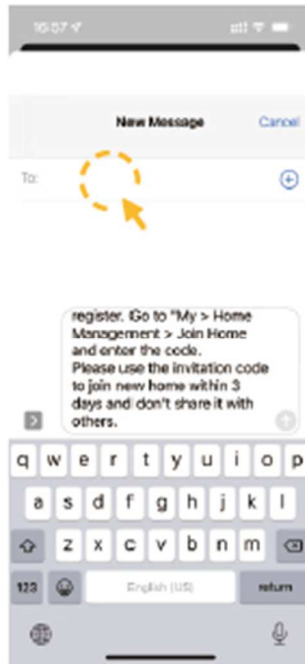
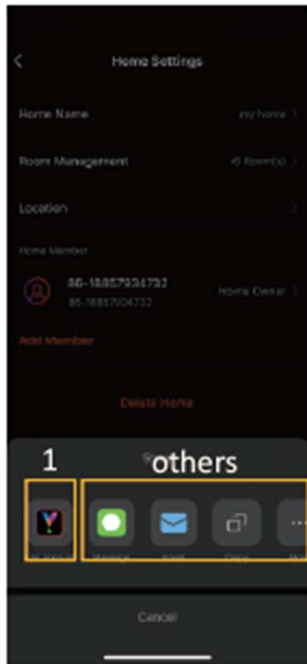


NOTE: This is to be completed on the new members account not your own

User Instructions - APP Control *Continued*.....


Using the APP – Adding a Member continued

1. Select "Others" to get invitation code. Then go to "Me > Home Management > Join Home" and enter the code. Select the Home and ready for operate the appliance.



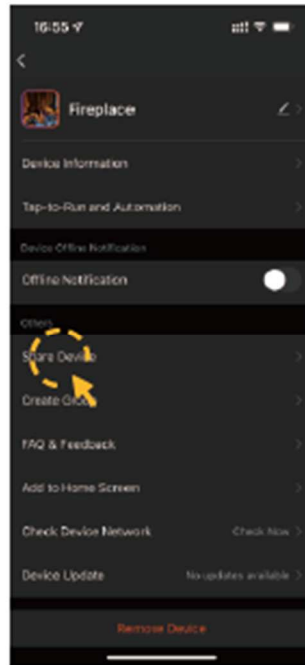
User Instructions - APP Control

Using the APP – Share Device

1. Click the 



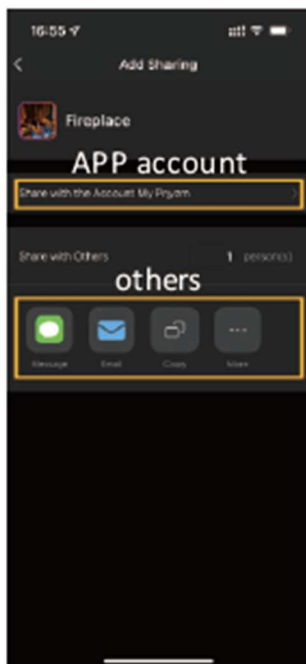
2. Click "Share Device"



3. Click "Add Sharing"



4. Select APP account or Others




5. Receive the message





Maintenance

WARNING: Before any maintenance or whilst cleaning the exterior of the fireplace, the unit should be disconnected from the power supply until it has cooled down.

Remote Handset Battery Replacement

When the batteries are at full power, the battery symbol will show 

When the batteries are half full, the battery symbol will show 

When the batteries are out of power and need replacing immediately, the battery symbol will show 

Battery replacement is recommended after 1 year. The batteries are 1.5V alkaline AAA, batteries.

Dispose of old batteries at an appropriate recycling facility.

Cleaning the Fire

Cleaning or polishing products are not recommended.

Fingerprints or other marks on the front glass panel can be removed by a piece of soft, damp, lint-free cloth with a good quality household glass cleaner. The front glass panel should always be completely dried with a clean, lint-free cloth or paper towel.

CAUTION: Abrasive cleaners should not be used on the glass panel. Liquids should not be sprayed directly onto any surface of the unit.

Troubleshooting

Problem	Solution
The fire is not switching on	Ensure the mains switch is on. Replace the fuse in the plug
The fire is not emitting heat	Check the handset temperature is set higher than the room temperature
The fire Shuts off after a period of time	The room has reached the set temperature. Has the daily timer been set.
Handset display fading	Check / change batteries in the remote
Mood lighting is not coming on	Make sure the connection has been enabled. Press mood light button on remote followed by the “+” button
APP not operating fire	Ensure the fire and mobile are connected to same Wi-Fi

Should you be experiencing any problems with your fire please call Customer Services on 01914300901 or email us at customerservices@bemodern.co.uk

General Information

Environment



Meaning of crossed –out wheeled dustbin:

Electrical appliances should not be disposed as unsorted municipal waste. Separate collection facilities should be used in the disposal of electrical appliances. Contact your local government for the information about the available collection systems. If electrical appliances are disposed of in landfills or dumps, hazardous substances can leak into the groundwater and get into the food chain, damaging your health and well-being. When old appliances are replaced by the new ones, it is a legal obligation for the retailer to take back the old appliance for disposals at least free of charge.



This fire complies with the Safety Standards EN 60335-1 and EN 60335-2-30 which covers the essential requirements of the Low Voltage Directive 2014/35/EU and the EMC standards EN 55014-1; EN 55014-2; EN 61000-3-2 and EN 61000-3-3 which covers the essential requirements of the European Electro Magnetic Compatibility 2014/30/EU, and the RED standards EN300220-2, EN301489-1, EN301489-3 and EN6247 which covers the essential requirements of the European Radio Equipment Directive 2014/53/EU.



This fire complies with the Safety Standards BS 60335-1 and BS 60335-2-30 which covers the essential requirements of the Electrical Equipment (Safety) Regulations 2016 and the EMC standards BS 55014-1; BS 55014-2; BS 61000-3-2 and BS 61000-3-3 which covers the essential requirements of the Electro Magnetic Compatibility Regulations 2016, and the RED standards BS 300220-2, BS 301489-1, BS 301489-3 and BS 6247 which covers the essential requirements of the Radio Equipment Regulations 2017.



RoHS stands for Restriction of Hazardous Substances, and impacts the entire electronics industry and many electrical products as well. The Restrictions of the Use of Certain Hazardous Substances in Electrical and Electronic Equipment Regulations 2012, originated in the European Union in 2002 and restricts the use of ten hazardous materials found in electrical and electronic products. All applicable products in the EU and UK market since July 1, 2006 must pass RoHS compliance.

Control PCB	Remote Control Receiver	Remote Control Transmitter
Hardware: RC01-043A01 V0 Software: V0	Hardware: RF290B V1.2	Frequency: ASK/OOK 433.92MHZ Maximum transmit power: 10mW Hardware:RF290A-TX-V1.3 Software: RF290A_C_V0.6.0.hex

Electric Fire Guarantee

Our A R T E O N - Pryzm Electric Fire comes with a **1 Year** warranty as standard, providing you with reassurance and peace of mind. **This covers parts and labour.**

2 years extended warranty is obtained by registering your product free, within 28 days of purchase at <https://www.bemodern.com/pryzm/support/warranty/>

After registration you will receive cover for **parts only** in year **2 & 3.**



Note: Registration is not required for the standard 1 year warranty. If you do not have access to the internet you may register your product via the below contact telephone number.

For further information on the individual terms of your product warranty, please contact our Customer Service team: on 0191 430 0901 or customerservices@bemodern.co.uk

1. The Guarantee applies to:

- a. All products in the ranges manufactured by the 'Company' (but subject to the exceptions below) where:
- b. The product has been purchased and installed within the UK and in respect of
- c. The initial installation: and in favor of
- d. The original purchaser

2. Proof of Purchase must be retained by the Purchaser

3. The Guarantee does not apply to:

- a. Damage or inferior workmanship practices whilst the 'Product' is being installed
- b. Damage caused by mis-use of the 'Product' or where normal standards of care and use have not been complied with.
- c. Damage through a malfunction or an inadequately installed electric fire.
- d. Damage or defects due to mis-use, accident or unauthorised alterations.

4. During the guarantee period after the 'Product' has been supplied, the Guarantee covers the making good (whether by repair or replacement at the Company's option) of defects arising from defective manufacture of materials of "Product" covered in Para 1 all at no cost to the purchaser on the provision:

- a. The Product has been installed as per Be Modern recommendations. The Purchaser uninstalls the Product and makes it available for collection by Be Modern.

This Guarantee does not affect your statutory rights

On requiring service the purchaser should contact the retailer who supplied your product who will assist and advise you as necessary.

Scan to download APP



Be Modern Ltd.
19-34 Bedesway
Bede Industrial Estate
Jarrow
Tyne and Wear
NE32 3BE
Tel: (0191) 430 0901
Fax: (0191) 430 9522
[Website: Bemodern](http://www.bemodern.com)

Scan to visit website

