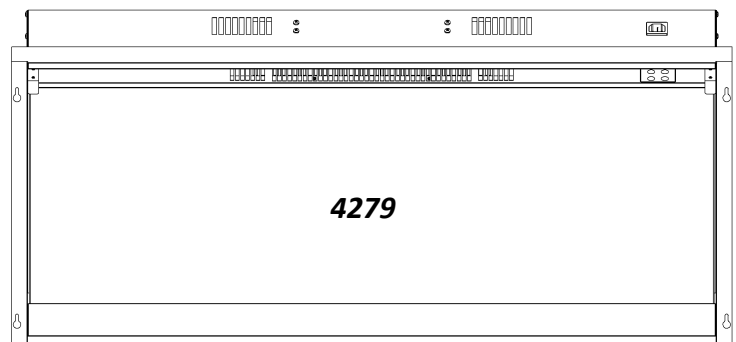
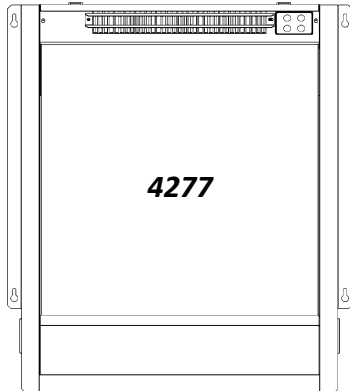
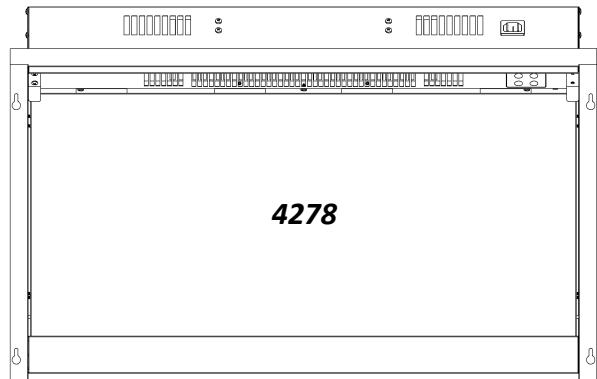
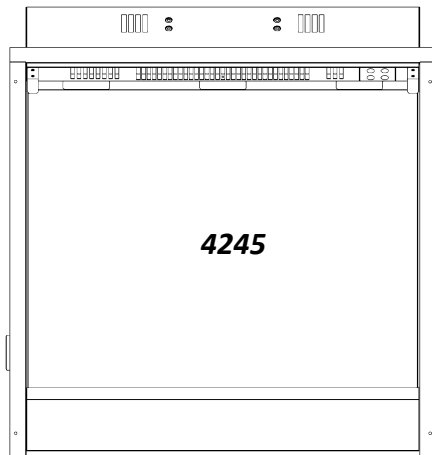


bemodern

FIRES | FIREPLACES

Instructions For Installation & Operation

4245, 4277, 4278 & 4279

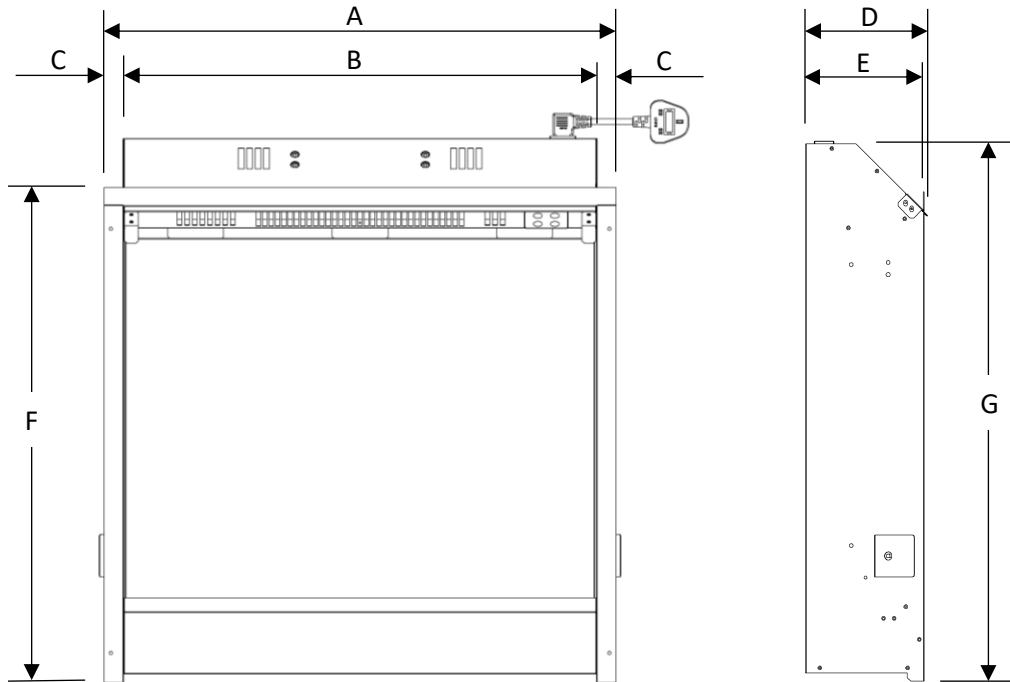


Read these instructions thoroughly before use and keep for future reference.
PLEASE NOTE THAT THIS APPLIANCE USES A MOTOR TO OPERATE THE FLAME EFFECT AND THAT IT MAY BE POSSIBLE TO HEAR IT WHERE THE BACKGROUND NOISE IS VERY LOW. THIS IS NORMAL AND SHOULD NOT BE A CAUSE OF CONCERN.

Contents

	Page
Technical Specification	2 - 3
Important Safety Information	4 - 5
Contents of the Box(es)	6
Unpacking The Fires / Fire Installation	7 - 8
Fire Installation – 4245, 4278, 4279	9 - 10
Fire Installation – 4278	11 - 12
Trim Installation	13 - 18
User Instructions - Introduction	19
User Instructions - Manual Control	20
User Instructions - Remote Control	21 - 23
Maintenance / Troubleshooting	24
General information	25
Guarantee	26
ERP Table	27

Technical Specification



Fire	Dimensions (mm)						
	A	B	C	D	E	F	G
4245	605	560	22.5	145	141	584	645
4277	492	401	45.5	163	149	556	558
4278	763	717	23	145	139	433	486
4279	1053	1008	22.5	145	139	433	487

Fire	Power Cable Outlet Position	Visible Glass Area (mm)		Boxed Weight (Kg)	Appliance Weight (Kg)
		Width	Height		
4245	Right-hand Top	559	436	12.7	10.3
4277	Right-hand Side-top	400	388	14	12
4278	Right-hand Top	715.5	314	14.3	10.7
4279	Right-hand Top	1006	314	18.2	13.8

Tolerance +/- 1mm

Technical Specification *Continued*....

Model No: - 4245, 4277, 4278, 4279.

Supply Voltage: AC 230-240V 50Hz, Maximum power consumption: 1538W.

Model:	4245	4277	4278	4279
Power for Flame Effect	4.7/5.0w	4.6/4.9w	5.3/5.7w	5.6/5.9w
Power for Fuel Bed	N / A	N / A	N / A	N / A
Power for Down Light	N / A	N / A	N / A	N / A
Power for Mood Light	N / A	N / A	N / A	N / A

Heat Output				
Model	4245	4277	4278	4279
Nominal heat output (Pnom)	2000w	2000w	2000w	2000w
Minimum heat output (indicative) (Pmin)	915w	915w	915w	915w
Maximum continuous heat output (Pmax)	2000w	2000w	2000w	2000w

Auxiliary Electricity Consumption				
Model	4245	4277	4278	4279
At nominal heat output (elmax)	14.5/15.9w	14.4/15.8w	15.1/16.6w	15.4/16.8w
At minimum heat output (elmin)	14.5/15.9w	14.4/15.8w	15.1/16.6w	15.4/16.8w
In standby mode (elSB)	0.31w	0.31w	0.31w	0.31w

Important Safety Information

Read all the instructions carefully before using the appliance.

For indoor use only. This appliance is not suitable for use outside the house and only suitable for well insulated spaces or occasional use.

If the fire is to be placed in front of an existing chimney opening and there is any risk of chimney debris falling down onto the fire or drafts from the chimney it is recommended that the flue or opening is sealed off with non-combustible non-fibrous insulation materials. Do not place into an existing fireplace that is prone to dampness. Should it be necessary to cap and seal the chimney; to prevent personal injury a professional should be hired to do the work.

Do not use this appliance in the immediate surroundings of a bath, a shower or a swimming pool.

Do not use this fire as a free-standing appliance. It must always be fixed to the wall, fireplace mantel, floor etc.

The fire must not be located immediately below and in front of a socket outlet.

This appliance must be earthed.

CAUTION: In order to avoid a hazard due to inadvertent resetting of the thermal cutout, this appliance must not be supplied through an external switching device, such as a timer, or connected to a circuit that is regularly switched on and off by the utility company, or plugged into any socket where the electrical supply is unstable or likely to be turned off.

A non-rewireable plug fitted with a 13A fuse is supplied. Should the fuse or plug need replacing, and you are competent to do so, it must be replaced with a 13A fuse or plug being 13A BS1363A approved.

If the power cord is damaged, it must be repaired by the manufacturer, its authorised service centre or professional person.

The meaning of this symbol  is **DO NOT COVER** **Warning:** in order to avoid overheating, do not allow the appliance to be covered or let the air inlet / outlet become obstructed.

To reduce the risk of fire, keep textiles, curtains, or any other flammable material a minimum distance of 1 meter from the air outlet.

Keep the power cord away from hot surfaces and hot conditions. Do not route the power lead in front of the appliance.

Do not use this fire in rooms that have explosive fumes in them (for example petrol), or if you are using solvents, glue, aerosol spray or in flammable paints, as these may catch fire.

This appliance can be used by children aged from 8 years and above and persons with reduced physical, sensory or mental capabilities or lack of experience and knowledge if they have been given supervision or instruction concerning use of the appliance in a safe way and understand the hazards involved.

Children and vulnerable people must be supervised at all times when using this appliance, as some parts can become very hot and cause burns.

Do not use this appliance in small rooms when they are occupied by persons not capable of leaving the room on their own, unless constant supervision is provided.

Important Safety Information *Continued*....

Cleaning and user maintenance shall not be made by children without supervision.

Children aged from three years and less than eight years shall only switch on/off the appliance provided that it has been placed or installed in its intended normal operating position and they have been given supervision or instruction concerning use of the appliance in a safe way and understand the hazards involved.

Children aged from 3 years and less than 8 years shall not plug in, regulate and clean the appliance or perform user maintenance.

This appliance shall not be played with by children.

Children of less than 3 years should be kept away unless continuously supervised.

Keep the power plug accessible after installation.

Manual Handling

BEFORE STARTING THE INSTALLATION OF THIS FIRE, PLEASE READ THE FOLLOWING:

CAUTION: This appliance is heavy. Always seek assistance whilst unpacking and/or during installation.

The installation should be carried out by **two adults** to avoid injury or damage. If for any reason it is considered too heavy, please obtain assistance.

Always use the handles on the rear of fire where possible.

When lifting the electric appliance, always keep your back straight. Bend your legs and not your back. Avoid twisting at the waist. It is better to reposition your feet.

Avoid upper body / top heavy bending. Always bend from the knees rather than the waist. Do not lean forward or sideways while handling the fire.

Always grip the fire with the palm of the hand – do not use the tips of fingers for support.

Always keep the fire as close to the body as possible. This will minimize the cantilever action.

Use gloves to provide additional grip.

Contents of the box(es)

Boxes - (4245)

Quantity	Description	Quantity	Description
1	4245- Electric Fire Engine	1	Fire Remote Control
1	1.8M IEC Power Cable with Molded Plug	2	AAA Batteries
4	4x16mm Dome Head Screws	2	Instruction Sheets

Boxes - (4277)

Quantity	Description	Quantity	Description
1	4277- Electric Fire Engine	1	Fire Remote Control
1	1.8M IEC Power Cable with Molded Plug	2	AAA Batteries
4	4x16mm Dome Head Screws	2	Instruction Sheets

Boxes - (4278)

Quantity	Description	Quantity	Description
1	4278- Electric Fire Engine	1	Fire Remote Control
1	1.8M IEC Power Cable with Molded Plug	2	AAA Batteries
4	4x16mm Dome Head Screws	2	Instruction Sheets

Boxes - (4279)

Quantity	Description	Quantity	Description
1	4279- Electric Fire Engine	1	Fire Remote Control
1	1.8M IEC Power Cable with Molded Plug	2	AAA Batteries
4	4x16mm Dome Head Screws	2	Instruction Sheets

Please ensure all fixings are present before commencing installation. If anything is missing, please call Customer Services on 01914300901 or email us at customerservices@bemodern.co.uk

Unpacking the Fires

FIRE ONLY:

Please unpack carefully ensuring that any loose parts and all packing items are removed. Read any warning labels carefully (see Maintenance Section). Place waste packaging back into box and dispose of RESPONSIBLY.

The surround / appliance must be positioned so that the plug or fused spur is accessible. Only when you are certain that you have completed the installation should you plug in and switch on at the wall socket.

Fires Installation

BEFORE STARTING THE INSTALLATION OF THIS FIRE, PLEASE READ THE FOLLOWING:

- The appliance Data Plate is located on the rear of the appliance.
- This fire should not be installed into an open / existing fireplace without the opening being professionally blanked off to reduce the risk of a back draught, which could cause the safety cut-out to operate.
- The fire has two spring steel brackets affixed to either side. These are used to hold the fire in the correct position when inserted into the recess / surround as below.

Please ensure all fixings are present before commencing installation. If anything is missing, please call Customer Services on 01914300901 or email us at customerservices@bemodern.co.uk

Note: The fire is a two adult person lift. A second person will be required to lift and support the fire during installation.

Before the fire can be installed, consideration will need to be given to routing the power supply to the fire. This will affect the stages of the installation process. We advise a qualified electrician conduct any electrical parts of the installation.

Note: An accessible single socket is required for the operation of the fire.

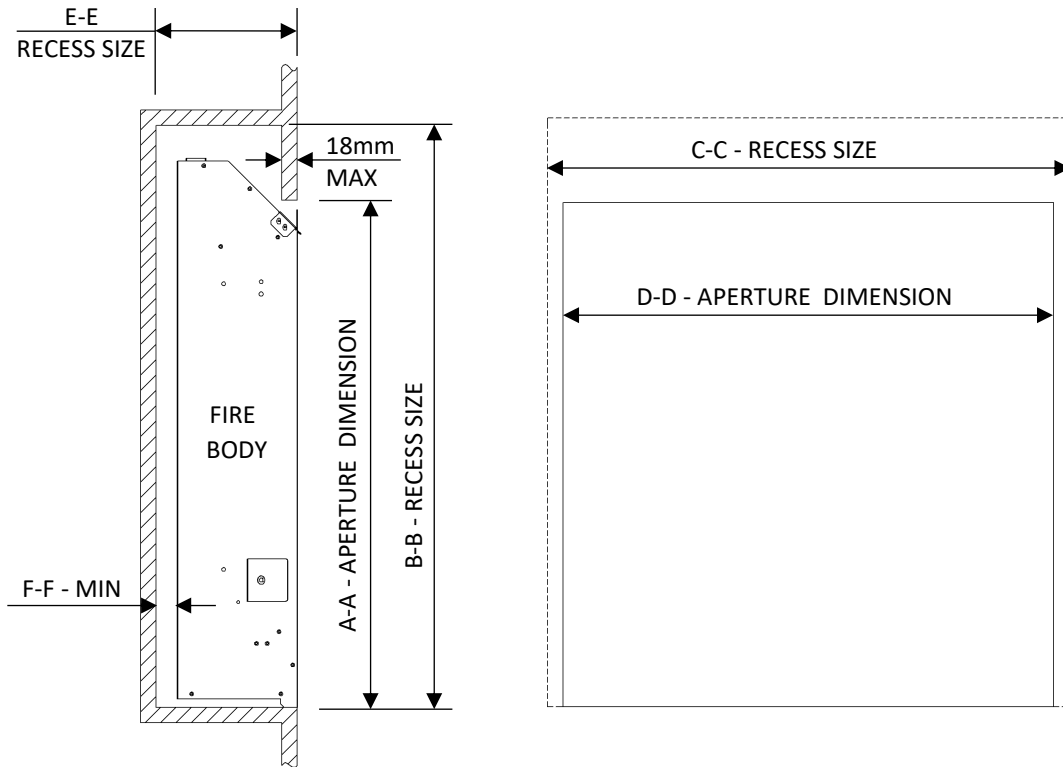
Unpack your new fire- **DO NOT** dispose of the packaging until you have checked and made sure all the parts and fixings present.

Note: Should a defect be discovered and in the event of a Suite being permanently fixed to the wall the householder will be responsible for any costs incurred.

Where appropriate please recycle packaging responsibly.

Fires Installation *Continued...*

INSTALLATION DIMENSIONS



Fire	Dimensions (mm)					
	A-A	B-B	C-C	D-D	E-E	F-F
4245	595	683	605	569	156	15
4277	565	-	-	410 - 450	140	5
4278	440	526	763	731	156	17
4279	440	526	1053	1021	156	17

Ensure that the installation aperture dimensions are as specified above.

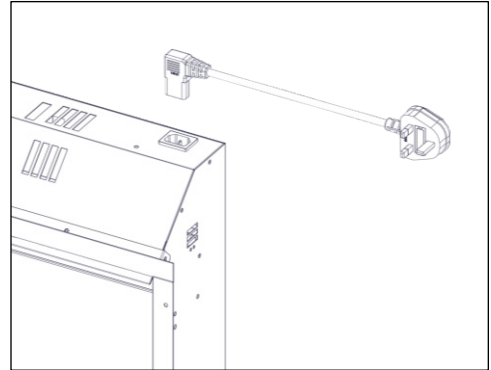
IMPORTANT NOTE:

Wall fixings (i.e. screws/wall plugs etc.) are not supplied as these are crucially dependent upon the type of wall and surface the Suite is going to be fixed too.

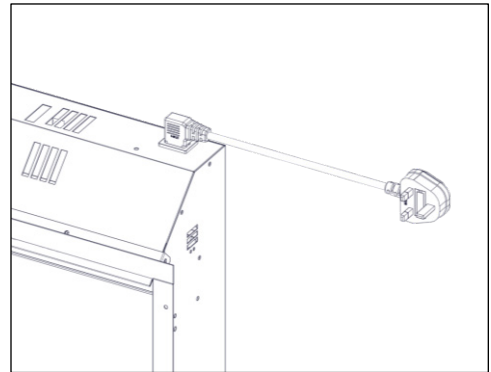
The installer is therefore responsible for ensuring that suitable fittings are used as well as individual fitting situations and environments. All mechanical fixings, for holding the Suite in position, must be secured to a solid wall or structure.

Fires Installation – 4245, 4278 & 4279

Position the unpacked fire upright.
Note: the fire does not have rear feet. So, will needs supporting at all times until mounted.

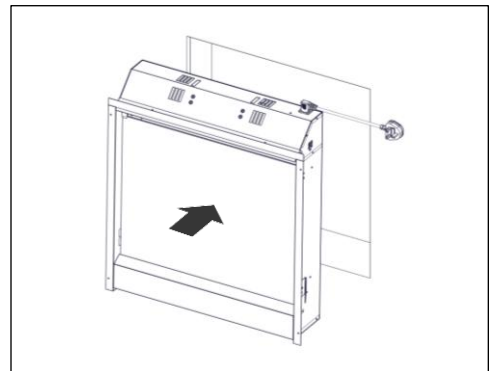


Place the power cable plug in the socket on the top off the fire body.

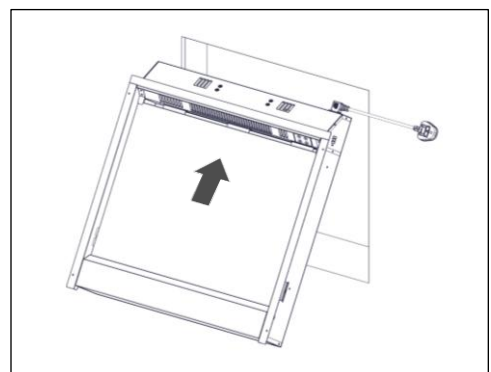


Once the power cable has been fitted.
Position the fire in front of the desired mount aperture and route the cable to the supply socket.

Note: Protect the hearth when installing in a surround.

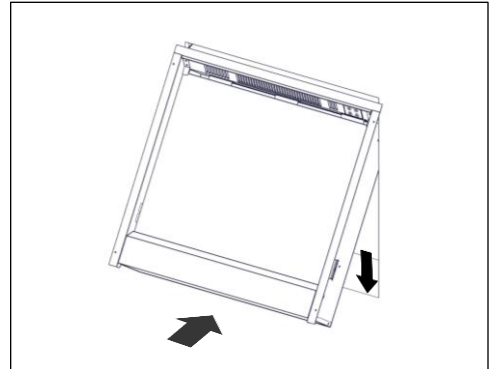


With a second person. Lift the fire to a 45-degree angle and place the fire in the aperture with the top first. Hooking the upper body under the aperture top edge.

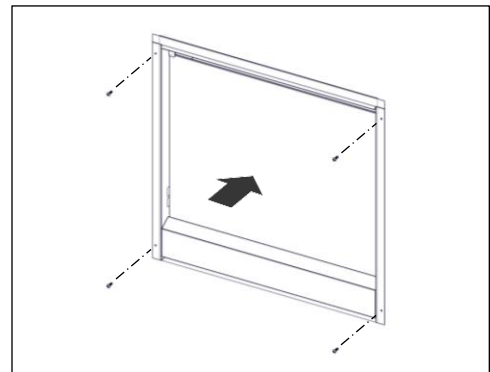


Fires Installation – 4245,4278 & 4279

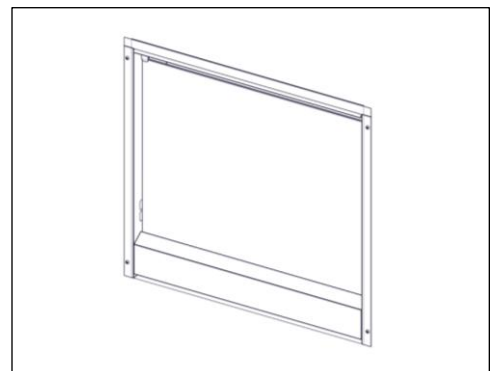
Once the top of the fire is in position. Angle the base of the fire in to the fire mount aperture and let the front base rest on the Aperture base. Slide the fire back in to finished position, confirming the fire is central in the opening.



Once the fire is correctly positioned in the aperture opening. The fire can be permanently fixed in place by screwing the outer flanges to the mounting surface. 4-off 4x16mm mounting screws have been supplied for timber surround installation. For installation in other materials, screws are not supplied (**see Important Note – page 8**). 4-off mounting holes have been provided in the fire outer flanges.



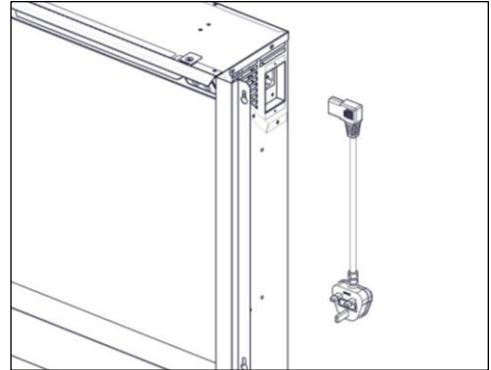
Once the fire is securely fixed in place. The fire trim can be installed. See pages 13-16



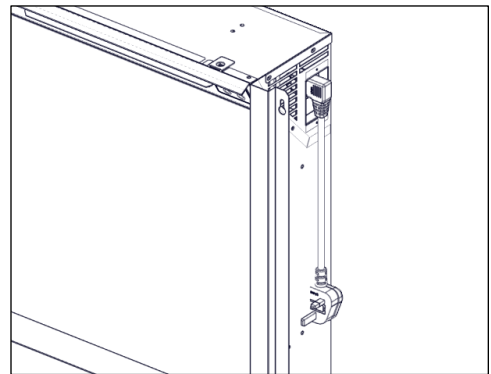
Fires Installation – 4277

Position the unpacked fire upright.

Note: The fire does not have rear feet. So, it will need supporting at all times until it is mounted.

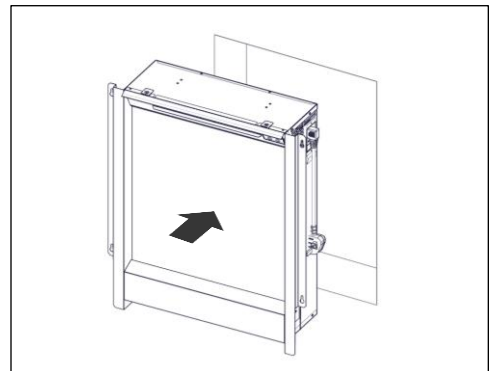


Place the power cable plug in the socket, located on the right-hand side top off the fire body.

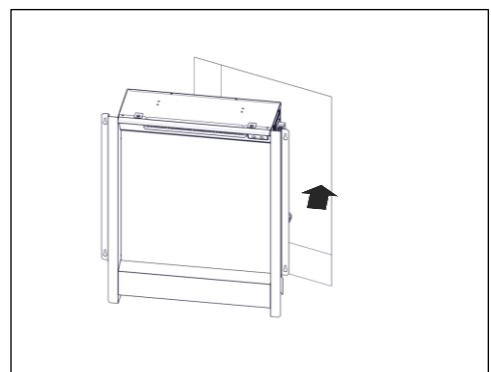


Once the power cable has been fitted. Position the fire in front of the desired mount aperture and route the cable to the supply socket.

Note: Protect the hearth when installing in a surround.

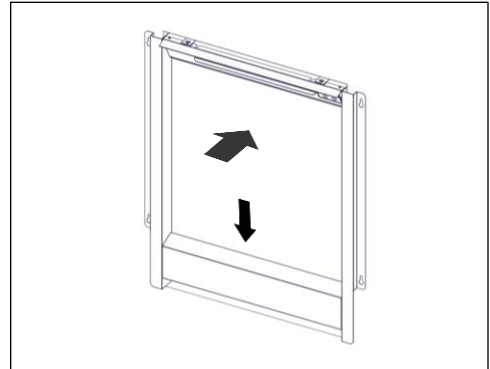


With a second person. Angle the fire to the right-hand side first and place the fire in the aperture. Taking care to clear the power cable plug.

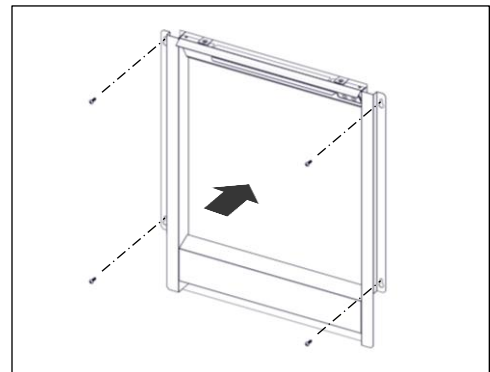


Fires Installation – 4277

Once the fire is in position in the aperture, let the base front rest on the aperture base. Slide the fire back in to finished position, confirming the fire is central in the opening.



Once the fire is correctly positioned in the aperture opening. The fire can be permanently fixed in place by screwing the outer flanges to the mounting surface. 4-off 4x16mm mounting screws have been supplied for timber surround installation. For installation in other materials, screws are not supplied (**see Important Note – page 8**). 4-off mounting holes have been provided in the fire outer flanges.



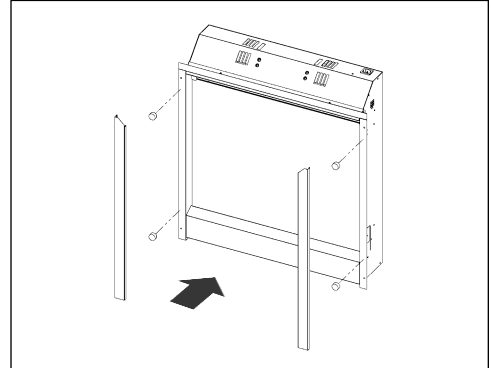
Once the fire is securely fixed in place. The fire trim can be installed. See pages 13-16



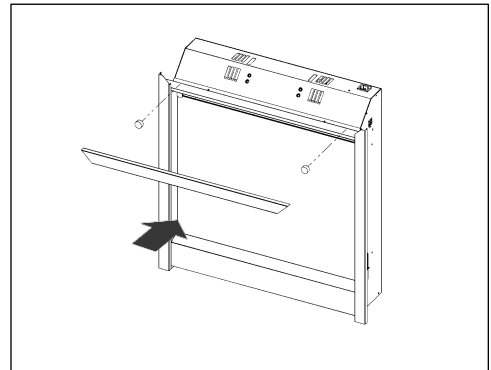
Trim Installation – *Black* – 3 Piece

Position the 4-off supplied magnets on the rear faces of the 2-off trim side panels.

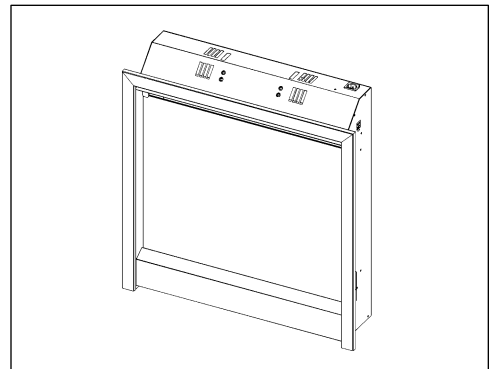
Starting with the side trim panels. Place the panels on the fire allow the magnet to secure the trim in place.



Position the 2-off supplied magnets on the rear faces of the trim top panel. Place the panel on the fire allow the magnet to secure the trim in place. The side panels can now be adjusted slightly to sit square on the fire.

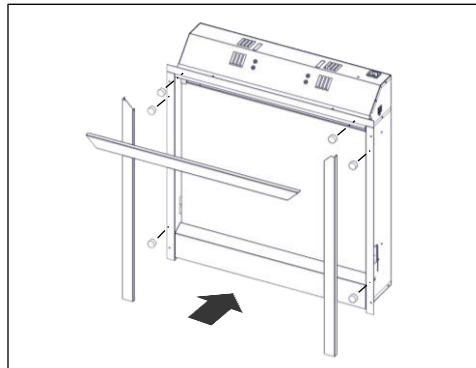


The 3-Piece trim is now installed on the fire.
This completes the trim installation.

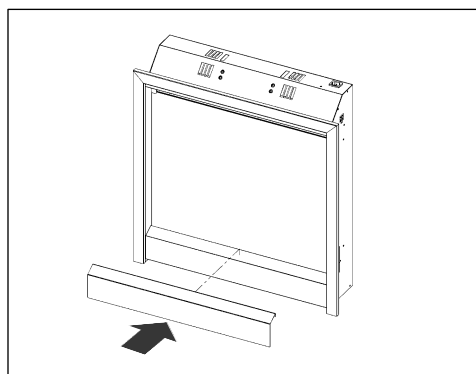


Trim Installation – Chrome – 3 Piece Trim & Fret

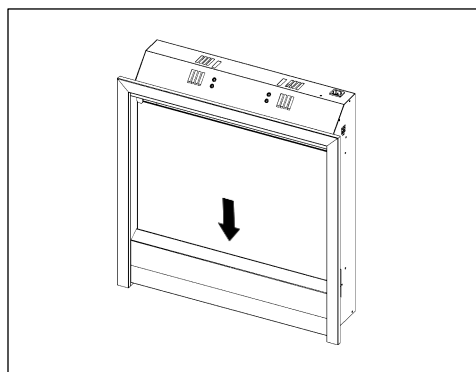
Start by removing the protective film from the trim face.
Position the 6-off supplied magnets on the rear faces of the 3 part trim panels.
Starting with the side trim panels first. Place the panels on to the fire allow the magnets to secure the trim in place.



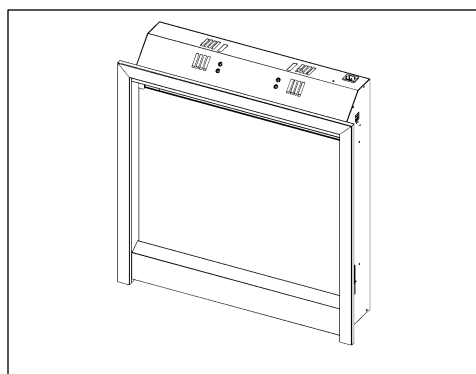
To position the fire fret. First remove the protective film from the fret face. Now place the trim between the fret sides so that the rear edge of the trim is lightly touching the glass.



Lower the fret down so that the fret rear edge slides down between the fire glass panel and fire front panel rear edge.

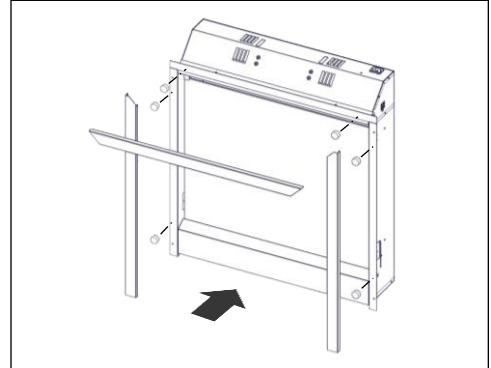


With the fret lowered on to the fire front panel, this completes the installation of the trim and fret.

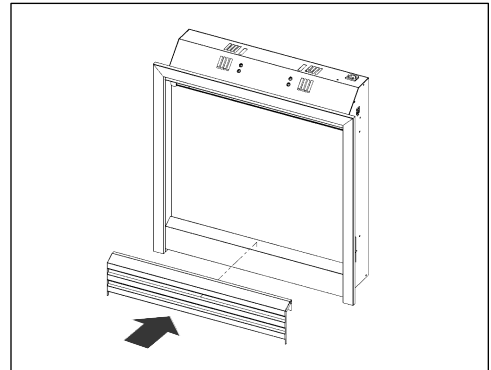


Trim Installation – Chrome – 3 Piece Trim & 3 Bar Fret

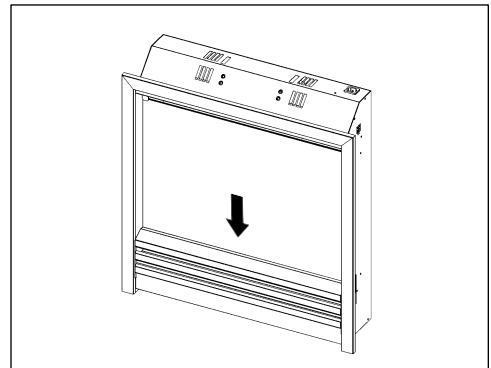
Start by removing the protective film from the trim face.
Position the 6-off supplied magnets on the rear faces of the 3 part trim panels.
Starting with the side trim panels first. Place the panels on to the fire allow the magnets to secure the trim in place.



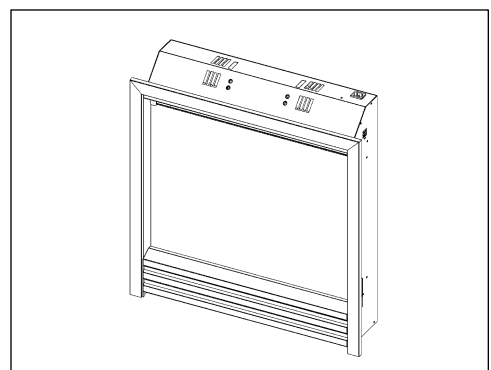
Position the 2-off supplied magnets on the rear faces of the trim top panel. Place the panel on the fire allow the magnet to secure the trim in place. The side panels can now be adjusted slightly to sit square on the fire.



Lower the fret down so that the fret rear edge slides down between the fire glass panel and fire front panel rear edge.

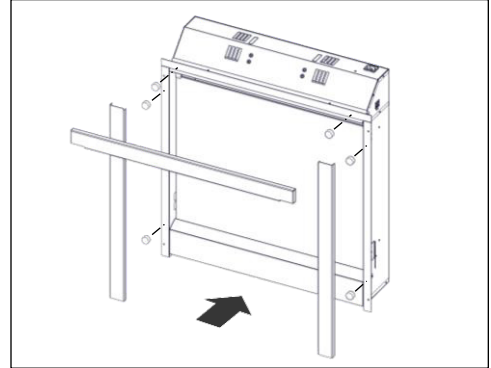


With the fret lowered on to the fire front panel, this completes the installation of the trim and fret.

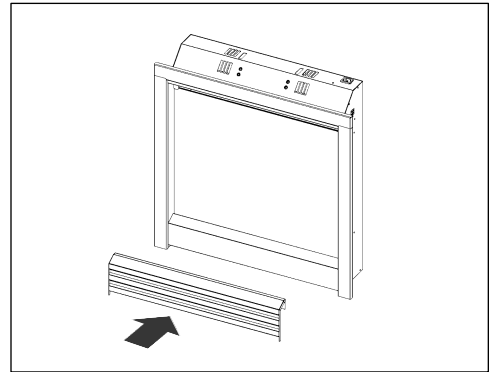


Trim Installation – *Black Nickel* – 3 Piece Trim & 3 Bar Fret

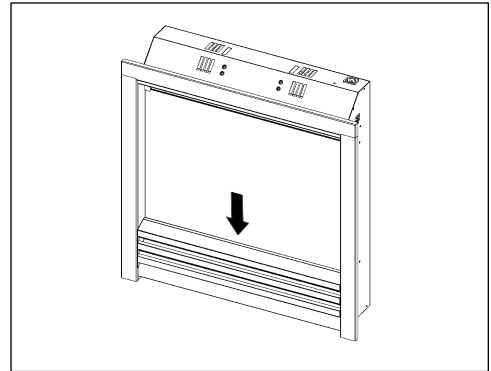
Start by removing the protective film from the trim face.
Position the 6-off supplied magnets on the rear faces of the 3 part trim panels.
Starting with the side trim panels first. Place the panels on to the fire allow the magnets to secure the trim in place.



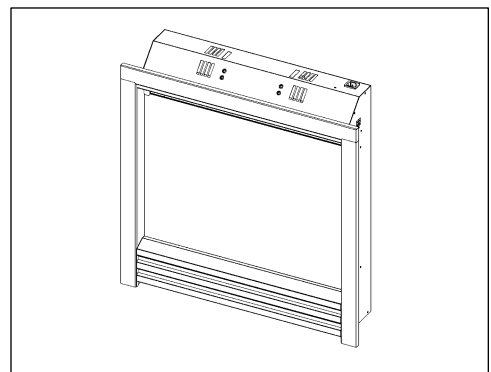
To position the fire fret. First remove the protective film from the fret face. Now place the trim between the fret sides so that the rear edge of the trim is lightly touching the glass.



Lower the trim down so that the trim rear edge slides down between the fire glass panel and fire front panel rear edge.

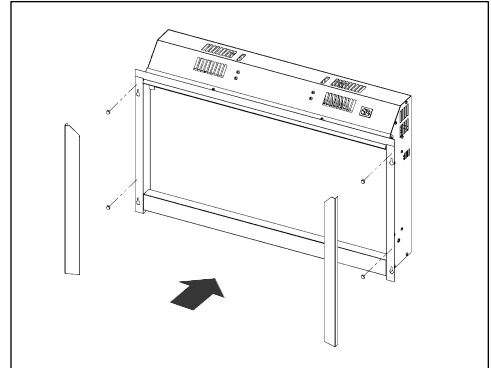


With the fret lowered on to the fire front panel, this completes the installation of the trim and fret.

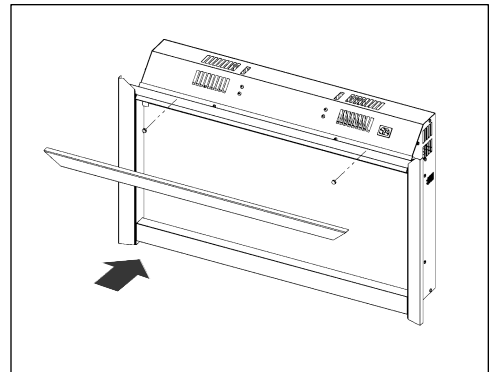


Trim Installation – 4278 & 4279 Fire – 3 Piece Trim

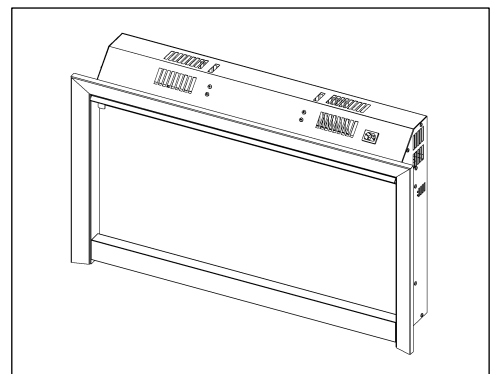
Start by removing the protective film from the trim face.
Position the 4-off supplied magnets on the rear faces of the 2-off trim side panels.
Starting with the side trim panels. Place the panels on the fire allowing the magnet to secure the trim in place.



Position the 2-off supplied magnets on the rear faces of the trim top panel. Place the panel on the fire allow the magnet to secure the trim in place. The side panels can now be adjusted slightly to sit square on the fire.

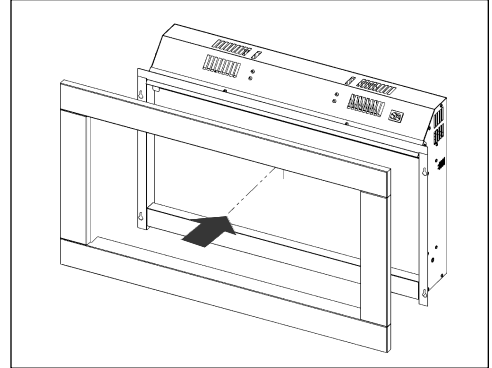


The 3-Piece trim is now installed on the fire.
This completes the trim installation.

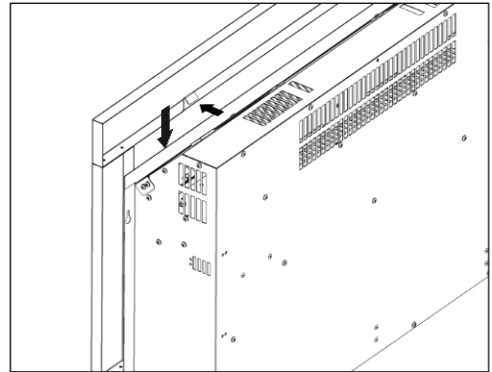


Trim Installation – 4278 & 4279 Fire – 1 Piece Trim

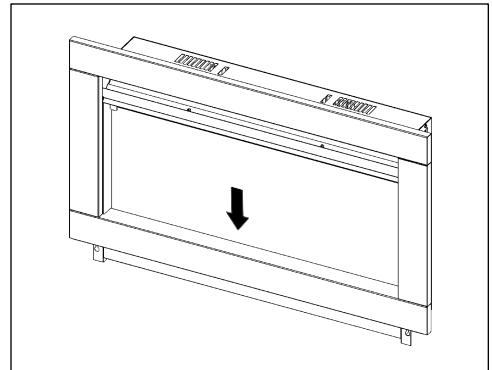
Start by removing the protective film from the trim face.
Position the trim in front of the fire. Slightly above the fire.



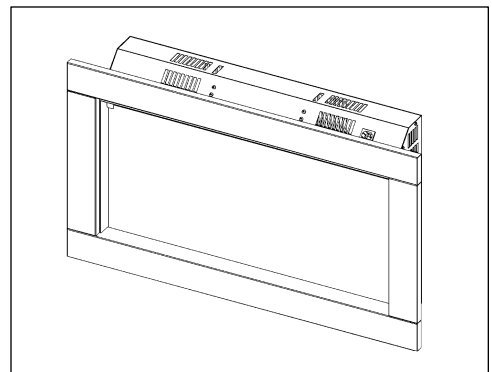
Lower the trim down on to the fire top edge with the trim lower section position with in the fire outer edges.



Carefully lower the trim down, allow the trim hook tab rest over the top edge of the fire.



With the trim hooked securely on the fire. This completes the trim installation.



User Instructions - Introduction

WARNING! Do not operate the appliance if it is damaged or has malfunctioned. If you suspect the appliance is damaged or has malfunctioned call a qualified service engineer to inspect the appliance, and replace any part of the electrical system, if necessary, before reuse.

WARNING! To reduce the risk of fire, keep textiles, curtains, or any other flammable material a minimum distance of 1 meter from the air outlet.

MAKE SURE the plug fits tight in the outlet. Faulty wall outlet connections or loose plugs can cause the appliance to overheat.

Do not disconnect the power at the mains supply whilst the appliance is running. Use the functions on the remote to turn the fire off and ensure the mains switch has been moved to the off position before disconnecting.

PREPARATION FOR USE

This appliance can be operated by manual control or remote control. NOTE: To use the appliance the main power switch must be in the 'ON' position.

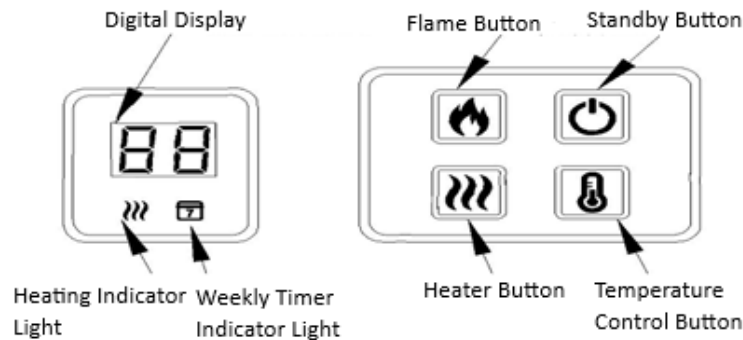
Batteries

Ensure that the handset batteries are new and inserted correctly.

Main Power Switch

This needs to be switched ON before operating the appliance.
A long beep will be heard to indicate the fire is ready for use.

User Instructions – Manual Control



NOTE: The manual buttons control basic functions, not a full range of controls. Use the remote handset to carry out all functions.

Turning on the appliance with the “MAIN” power switch to “I” position. A long beep will be heard.

Standby Button – Used to turn ON the flames and to turn OFF all functions

Standby memory - When in standby mode, the flame effect setting and set temperature are memorised ready for the next time the appliance is powered on.

Flame Button – Once the appliance is powered ON this button is used to operate the three flame settings (L1, L2 and L3). The display will show flame setting (L1, L2 or L3) and turn off after 10 seconds, to check flame setting press Flame Button once to illuminate display.

F1 = Amber LED 100%, Yellow LED 110%, Blue LED 100%

F2 = Amber LED 100%, Yellow LED 25%, Blue LED 25%

F3 = Amber LED 100%

Temperature Control Button – Once the appliance is powered ON, press and hold the Temperature Control Button to switch between °C and °F. 16 – 28 °C corresponds to 60 – 82 °F, Fahrenheit temperature is rounded to the nearest integer. When the appliance is powered ON from standby the last temperature setting is remembered. To view the temperature setting on the digital display, press the Temperature Control Button once, press again to change the set temperature, the temperature setting increases by 1 degree each press from 16 - 28°C and then to 58°C, (60 - 82°C and then 99°F) press the button again to return to 16°C (60°F).

NOTE:- If the temperature setting is set to 58°C (99°F) the heater will run continually.

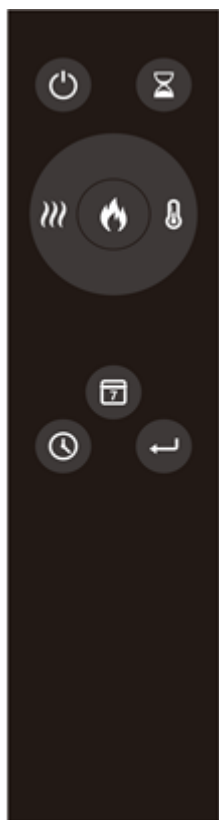
Heater Button – Once the appliance is powered ON, press the Heater Button to turn ON / OFF the heater. The temperature and indicator light will be displayed for 10 seconds once the Heater Button is pressed.





Weekly Timer Indicator – When the weekly timer mode is activated, the indicator light remains on, when entering the weekly timer mode setting the indicator light flashes.

NOTE – The weekly timer mode can only be operated via the remote control.

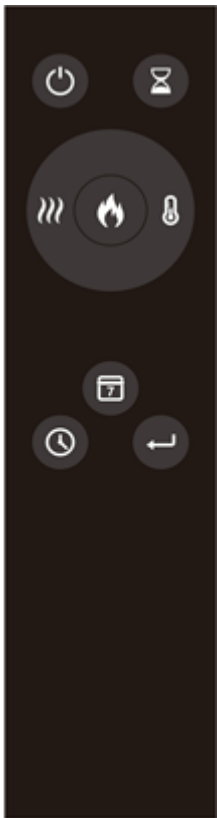
Heating Indicator Light – If the heater is turned on without the flame effect this light will be permanently on, if the flame effect is on and the heater is turned on the light will illuminate for 10 seconds before going out. If the heater is operated via weekly timer setting then the indicator will stay on.




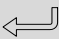
User Instructions – Remote Control



	Standby Button	Used to turn on and off all the functions .	When turned on, the corresponding flame is turned on. All functions are turned off when turned off (including heating)
	Timer	Used to activate the timer function. Timer settings: 0H, 30mins ,1H, 2H, 3H, 4H, 5H, 6H, 7H, 8H, 9H.	When the scheduled time period ends the appliance enters standby mode
	Heater	Once the appliance is powered on use the heater button to turn on and off the heating. When the heating is on and the heating indicator light is off, press the heating button to show heating setting on the heating indicator. Press the heating button to turn off the heating function when the heating indicator light is on.	Turn on heating, display temperature and indicator light. The indicator light will turn off 10 seconds after turning off the heater.
	Flame	Once the appliance is powered on use the flame button to select a flame effect from the three flame settings F1, F2 or F3. Pressing the button once when the flame effect setting is displayed on the digital display, will change the flame effect to the next flame effect.	When the flame effect setting is not displayed, pressing the button once will display the current flame effect setting


User Instructions - Remote Control *continued*.....





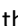





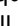

	<p>Temperature</p>	<p>Press and hold the temperature control button to switch the temperature between °C and °F. 16-28 °C corresponds to 60-82 °F. 16-28°C, 58 °C, total of 14 settings. When the appliance is powered ON from standby the last temperature setting is remembered. Press the button once to check the current temperature. Press the button again to increase the temperature by 1 °C up to 28°C. Pressing the button again to select 58°C (continuous heat). Pressing the button again will return to 16 °C. When the temperature is not displayed, press the temperature control button to check the current temperature</p>	<p>The set temperature will be displayed on the digital display.</p>
	<p>Weekly Timer</p>	<p>Used for setting, enabling, and disabling the weekly timer function. See details on weekly timer settings. When the timing function is enabled, turn on / off the weekly timing function..</p>	<p>When the weekly timer mode is activated, the indicator light remains on. When entering the weekly timer mode setting, the indicator light flashes</p>
	<p>Time Selection Key</p>	<p>Used to set the current day and time. Daily and weekly timer.</p>	<p>Set the day and time in order for the weekly schedule to operate.</p>
	<p>Confirmation Button</p>	<p>Used when setting the current / daily / weekly time and timers. Press the time selection key to set the date, hour, and minute, and press the confirm key to complete the time setting.</p>	


User Instructions - Remote Control *continued*.....

Weekly Schedule Setting

Press and hold the weekly timer button on the remote control . The weekly timer indicator light will flash to indicate you are entering the weekly timer settings.





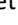
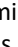
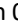
Screen displays D1 press the confirmation button , the screen will change to display 00.

Press the  to set the heating ON time and press the confirmation button , the screen will change to display 00, press the , this time setting the heater OFF time, press the confirmation button  to accept D1 setting, the screen will now display D2, press the confirmation button  to enter day 2 setup. The screen will display the heater ON time from the previous day (D1), press the  to reset the heating ON time and select a new heater ON time if required, press the confirmation button  to accept time setting and move to the heater OFF time, the screen will display the heater OFF time from the previous day (D1). Press the  to reset the heating OFF time or press the confirmation button  to accept the time. The screen will now display D3, repeat the above steps to set the heater ON and OFF times for days D3 – D7.

After completing the setting of D1 – D7, press and hold the weekly timer button , the one-week timer indicator light will stop flashing completing the setting of the weekly timer.

NOTE: The setting of D1 – D7 must be fully completed, if the setting is interrupted for more than 20 seconds the timer setting will be terminated and have to be started again.

Setting the Time

Press and hold the time selection key  to enter the time setting mode. The screen will display the day of the week, press the  to select the correct day and press the confirmation button  to accept and move onto the time setting, the screen will now display the hour setting, this can be changed from 00 through to 23 by pressing the , once the hour has been selected press the confirmation button  to accept the hour setting and move onto the minute setting which can be changed from 00 through to 59 by pressing the  button, once the correct minute has been selected and to complete the setting of the time press the confirmation button . The time setting is now complete.

Maintenance

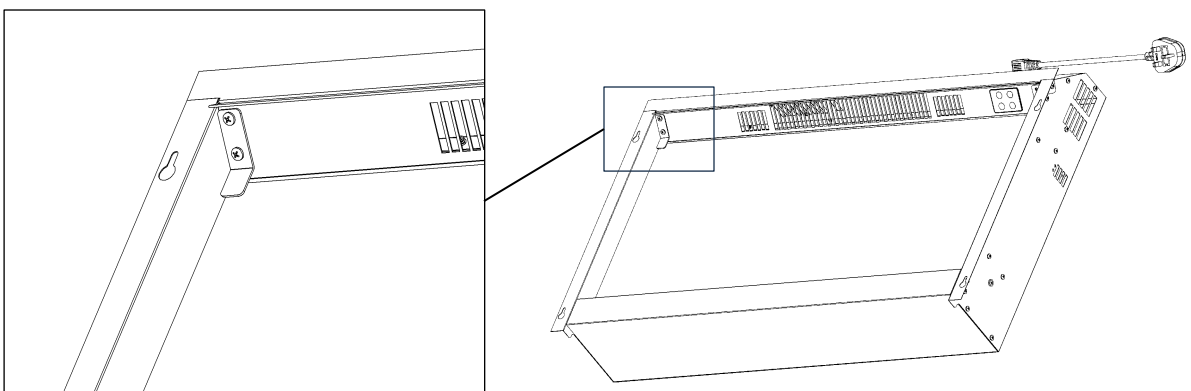
Cleaning the Fire:

Cleaning or polishing products are not recommended.

Fingerprints or other marks on the front glass panel can be removed by a piece of soft, damp, lint-free cloth with a good quality household glass cleaner. The front glass panel should always be completely dried with a clean, lint-free cloth or paper towel.

CAUTION: Abrasive cleaners should not be used on the glass panel. Liquids should not be sprayed directly onto any surface of the unit.

The two glass retaining brackets need be removed, to allow the glass to be removed to access the data plate. Glass panel must be supported when removing and stored safely.



Troubleshooting

Problem	Solution
The fire is not switching on	Ensure the mains switch is on. Replace the fuse in the plug
The fire is not emitting heat	Check the handset temperature is set higher than the room temperature
The fire Shuts off after a period of time	The room has reached the set temperature. Has the daily timer been set.

Should you be experiencing any problems with your fire please call Customer Services on 01914300901 or email us at customerservices@bemodern.co.uk

General Information

Environment



Meaning of crossed –out wheeled dustbin:

Electrical appliances should not be disposed as unsorted municipal waste. Separate collection facilities should be used in the disposal of electrical appliances. Contact your local government for the information about the available collection systems. If electrical appliances are disposed of in landfills or dumps, hazardous substances can leak into the groundwater and get into the food chain, damaging your health and well-being. When old appliances are replaced by the new ones, it is a legal obligation for the retailer to take back the old appliance for disposals at least free of charge.



This fire complies with the Safety Standards EN 60335-1 and EN 60335-2-30 which covers the essential requirements of the Low Voltage Directive 2014/35/EU and the EMC standards EN 55014-1; EN 55014-2; EN 61000-3-2 and EN 61000-3-3 which covers the essential requirements of the European Electro Magnetic Compatibility 2014/30/EU, and the RED standards EN300220-2, EN301489-1, EN301489-3 and Photobiological Safety Standards of LED EN 62471 which covers the essential requirements of the European Radio Equipment Directive 2014/53/EU.



This fire complies with the Safety Standards BS EN 60335-1 and BS EN 60335-2-30 which covers the essential requirements of the Electrical Equipment (Safety) Regulations 2016 and the EMC standards BS EN 55014-1; BS EN 55014-2; BS EN 61000-3-2 and BS EN 61000-3-3 which covers the essential requirements of the Electro Magnetic Compatibility Regulations 2016, and the RED standards BS EN 300220-2, BS EN 301489-1, BS EN 301489-3 and Photobiological Safety Standards of LED BS EN 62471 which covers the essential requirements of the Radio Equipment Regulations 2017.



RoHS stands for Restriction of Hazardous Substances, and impacts the entire electronics industry and many electrical products as well. The Restrictions of the Use of Certain Hazardous Substances in Electrical and Electronic Equipment Regulations 2012, originated in the European Union in 2002 and restricts the use of six hazardous materials found in electrical and electronic products. All applicable products in the EU and UK market since July 1, 2006 must pass RoHS compliance.

Electric Fire Guarantee

Be Modern Ltd. (the 'Company') provides a **twelve month** guarantee in respect of electric fire (the 'Product') ranges.

1. The twelve month Guarantee applies to:

- a. All products in the ranges manufactured by the 'Company' (but subject to the exceptions below): where:
- b. The product has been purchased and installed within the UK and in respect of
- c. The initial installation: and in favor of
- d. The original purchaser

2. Proof of Purchase must be retained by the Purchaser

3. The twelve month Guarantee does not apply to:

- a. Damage or inferior workmanship practices whilst the 'Product' is being installed
- b. Damage caused by mis-use of the 'Product' or where normal standards of care and use have not been complied with.
- c. Damage through a malfunction or an inadequately installed electric fire.
- d. Damage or defects due to mis-use, accident or unauthorised alterations.

4. During the twelve month after the "Product" has been supplied, the Guarantee covers the making good (whether by repair or replacement at the Company's option) of defects arising from defective manufacture of materials of "Product" covered in Para 1 all at no cost to the purchaser on the provision:

- a. The Product has been installed as per Be Modern recommendations. The Purchaser uninstalls the Product and makes it available for collection by Be Modern.

This Guarantee does not affect your statutory rights

On requiring service the purchaser should contact the retailer who supplied your product who will assist and advise you as necessary.

Be Modern Ltd.
19-34 Bedesway
Bede Industrial Estate
Jarrow
Tyne and Wear
NE32 3BE
Tel: (0191) 430 0901
Fax: (0191) 430 9522
[Website: Bemodern](#)

Electric Fire ERP Table

Contact details	BE MODERN LTD 19/34 BEDESWAY, BEDE INDUSTRIAL ESTATE, JARROW, TYNE & WEAR, NE32 3BE					
Model identifier(s): 4245, 4277, 4278, 4279						
Item	Symbol	Value	Unit		Item	Unit
Heat output					Type of heat output / room temperature control (select one)	
Nominal heat output	P_{nom}	1.83-2	kW		single stage heat output and no room temperature control	[no]
Minimum heat output (indicative)	P_{min}	0.915	kW		two or more manual stages, no room temperature control	[no]
Maximum continuous heat output	$P_{max,c}$	2	kW		with mechanic thermostat room temperature control	[no]
Power consumption					with electronic room temperature control	[no]
In off mode	P_o	N / A	W		electronic room temperature control plus day timer	[no]
In standby mode	P_{sm}	0.31	W		electronic room temperature control plus week timer	[yes]
In idle mode	P_{idle}	0.31	W		Other control options (multiple selections possible)	
In network standby	P_{nsm}	N / A	W		room temperature control, with presence detection	[no]
Standby mode with display of information or status			[no]		room temperature control, with open window detection	[yes]
Seasonal space heating energy efficiency in active mode	$\eta_{s,on}$	93.9	%		distance control option	[no]
					adaptive start control	[yes]
					working time limitation	[no]
					black bulb sensor	[no]
					self-learning functionality	[no]
					control accuracy	[no]