

Floor-standing Flat Pack Plinth



Instructions For Assembly

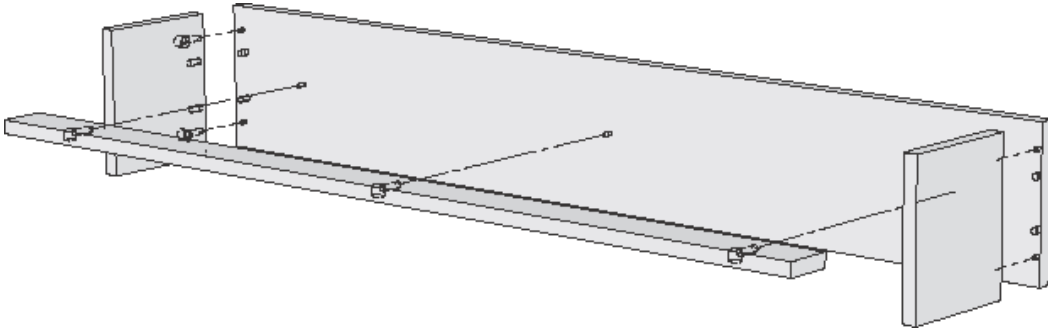
Contents

What is in the Box?	3
Assembly- Floor-standing Flat Pack Plinth	4
Assembly- Floor-standing Flat Pack Plinth <i>Continued</i>	5

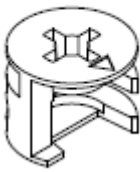
What Is In The Box?

Additional Box

Plinth Front **x1**
Plinth Side **x2**
Plinth Support Rail **x1**



Also included in the additional **Box** is a small bag with all the hardware (cams, pins and dowels etc.)
See below.



7 X
15 Ø x 12mm
Cams



7 X
6 Ø x 34mm
Pins



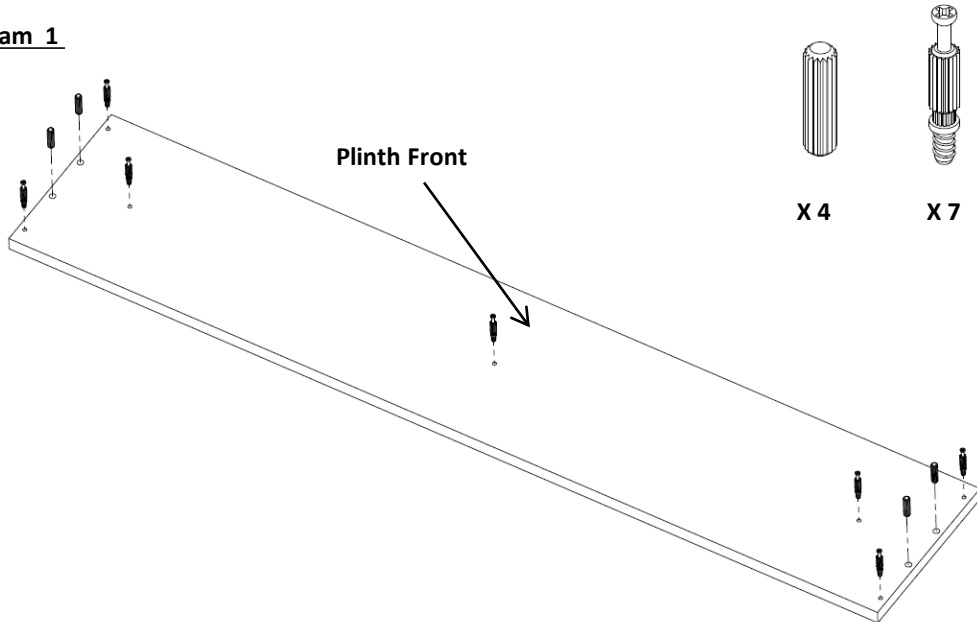
4 X
8 Ø x 30mm
Dowels

DO NOT dispose of the packaging until you have checked and made sure all the parts and fixings listed above are present. If anything is missing please call Customer Services on 01914300901 or email us at customerservices@bemodern.co.uk

Assembly – Floor-standing Flat Pack Plinth

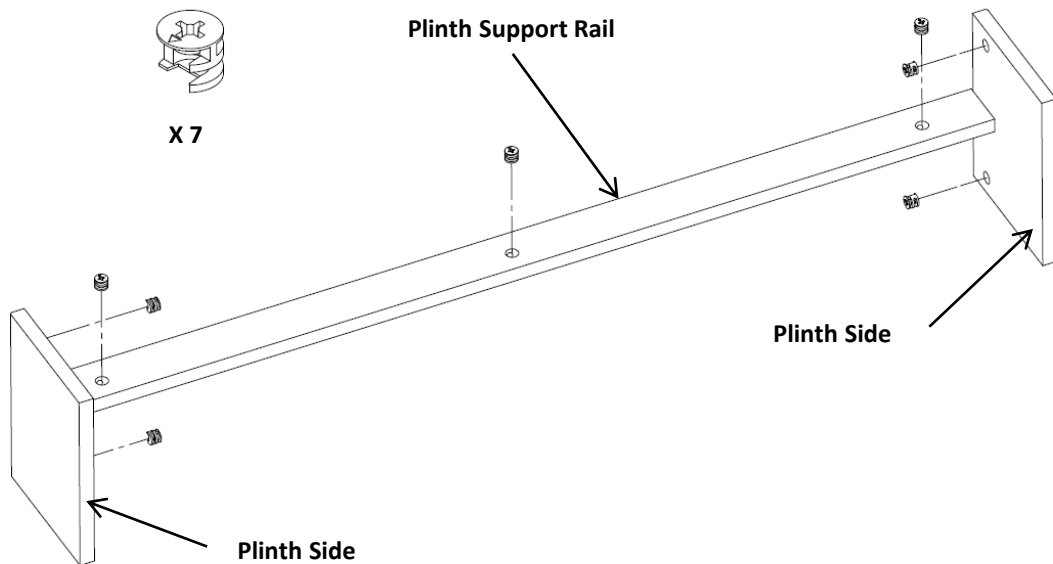
Locate the **Plinth Front** and insert the **7 x Pins** and **4 x Dowels**, as shown in **Diagram 1**.

Diagram 1



Locate the **2 x Plinth Sides** and **1 x Plinth Support Rail** and insert the **7 x Cams**, as shown in **Diagram 2**.

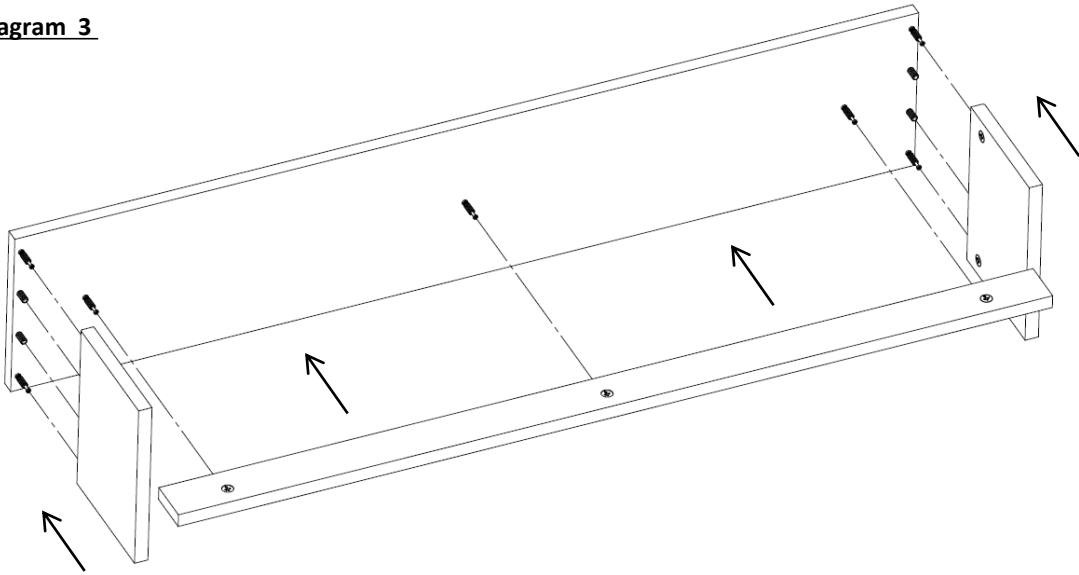
Diagram 2



Assembly – Floor-standing Flat Pack Plinth *continued...*

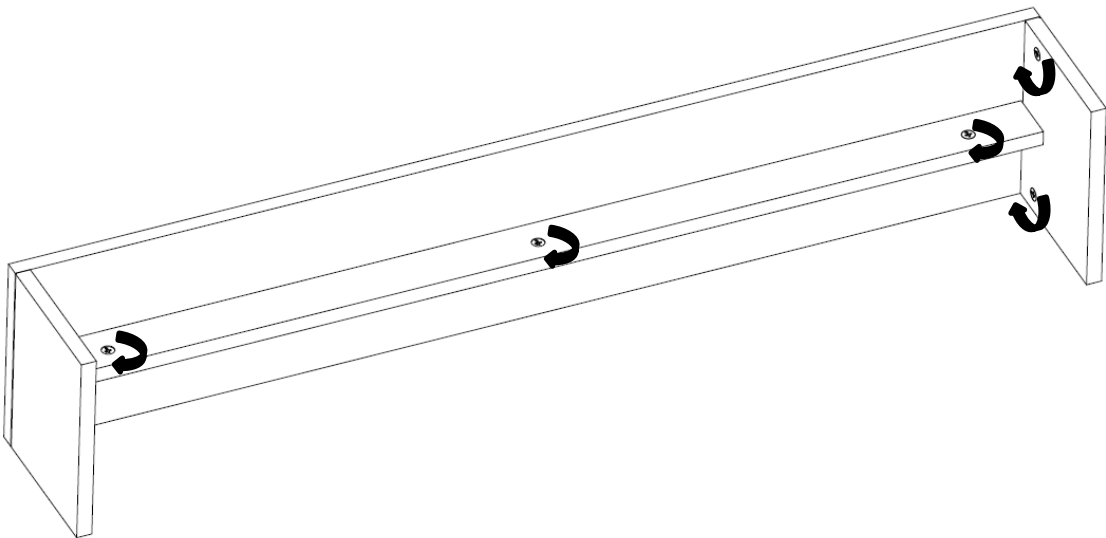
Position the **Plinth Sides** and **Plinth Support Rail** over the corresponding pins and dowels in the **Plinth Front**, as shown in **Diagram 3**

Diagram 3



Once fully located over the pins and dowels- secure in position by turning the **7 x Cams** clockwise $\frac{1}{2}$ a turn, as shown in **Diagram 4**.

Diagram 4



The **Floor-standing Flat Pack Plinth** assembly is now complete. Please follow from **P7** in the **Wall Hung** and **Floor-Standing Suite Instructions** (Boxed with the Suite), for further guidance on installation.