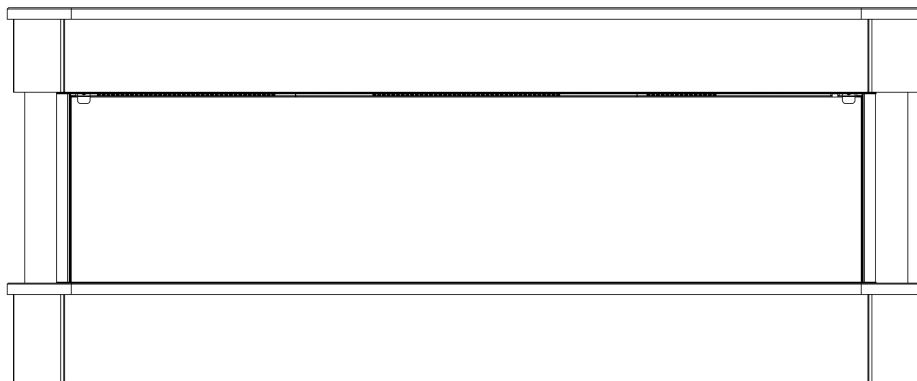
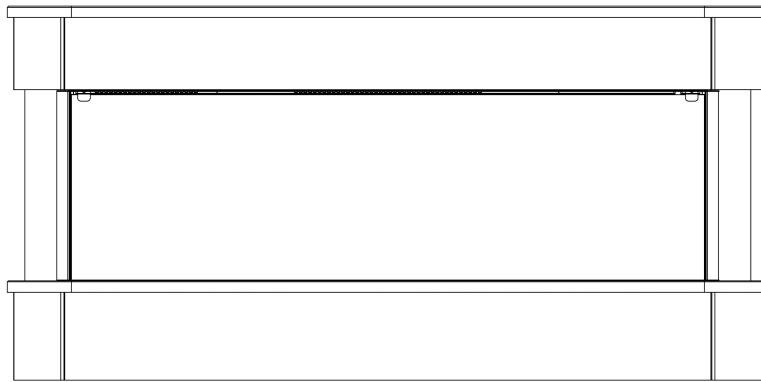


bemodern

FIRES | FIREPLACES

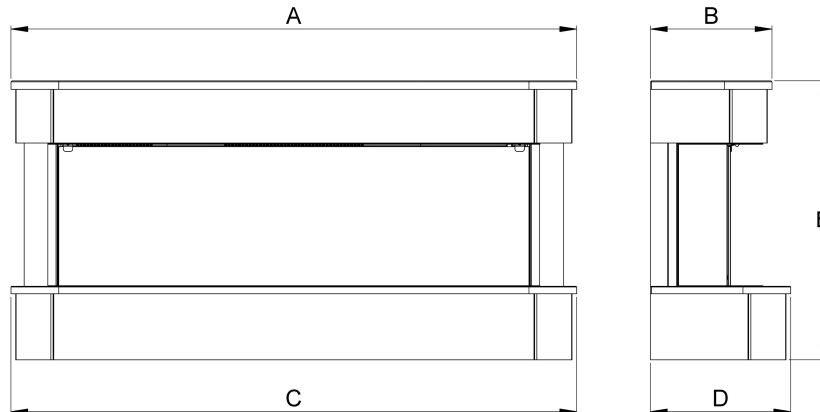
Juliette Wall Hung Suites Instructions for Assembly & Installation



Contents

Technical Specification	2
What's in the Boxes	2-3
Installation – Introduction	3
Installation –Preparation	4
Installation- Wall Mounted Suite	5-11
Fuel Bed Layout & Log Positioning	12
Replacing the Glass	13
Maintenance	14

Technical Specification



Fire/ Surround	Description	Logs	Dimensions (mm)					Unboxed Weight (Kg)
			A	B	C	D	E	
INVISION 1000L FIRE/ JULIETTE SUITE	Timber Suite	5 SML	1211	260	1211	300	596	13.5
INVISION 1250L FIRE/ JULIETTE SUITE	Timber Suite	5 SML & 2 LRG	1461	260	1461	300	596	14.4

FIRE	Visible Flame Area (mm)
INVISION 1000L FIRE	W1008X H296
INVISION 1250L FIRE	W1258 x H296

What Is In The Boxes?

Fire/ Surround Description	Surround Box	
	Qty	Description
INVISION 1000L FIRE / JULIETTE SUITE	1	Surround Top
	2	Column Sides
	1	Surround Hearth
	2	40mm Angle Bracket -fitted
	4	16mm Screws -fitted
	2	Wall Hooks
	4	30mm Dome head Screws

Fire/ Surround Description	Surround Box	
	Qty	Description
INVISION 1250L FIRE / JULIETTE SUITE	1	Surround Top
	2	Column Sides
	1	Surround Hearth
	2	40mm Angle Brackets -fitted
	4	16mm Screws -fitted
	2	Wall Hooks
	4	30mm Dome head Screws

What Is In The Boxes? *Continued.....*

Fire/ Surround Description	Boxed Inside the Fire		Fire/ Surround Description	Boxed Inside the Fire	
	Quantity	Description		Quantity	Description
INVISION 1000L FIRE / JULIETTE SUITE	5	Small Logs	INVISION 1250L FIRE / JULIETTE SUITE	2	Large Logs
	1	Bag Of Crystals		5	Small Logs
	1	Bag Of Pebbles		1	Bag Of Crystals
	Bagged Separately			1	Bag Of Pebbles
	1	Remote Control		Bagged Separately	
	2	AAA Batteries		1	Remote Control
	1	Fire Operating Instruction		2	AAA Batteries
	1	Foam Strip		1	Fire Operating Instruction
	Supplied Fixed to Fire Rear			1	Foam Strip
	1	Wall Hanging Bracket		Supplied Fixed to Fire Rear	
		1	Wall Hanging Bracket		

Please ensure that everything is present before commencing the installation. If anything is missing please call Customer Services on 01914300901 or email us at customerservices@bemodern.co.uk

Installation- Introduction

Note: The Suite is a two adult person lift. A second person will be required to lift and support the pre-assembled parts during installation.

Before the suite can be installed, consideration will need to be given to routing the power supply to the fire. This will affect the stages of the installation process. We advise a qualified electrician to conduct any electrical parts of the installation.

Note: A single socket is required for the operation of the suite.

Do not attempt to lift from the centre of the fire, instead lift from under the fire base and front edge of the fire. See Diagram 1.

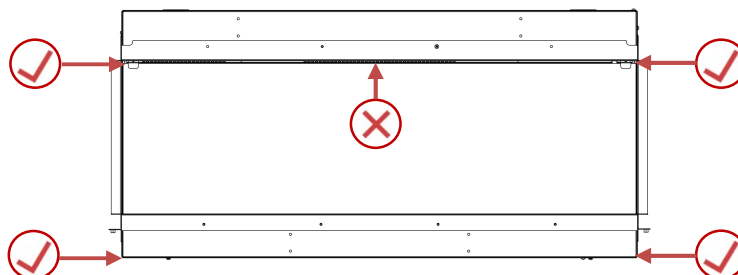


Diagram 1

Installation- Preparation

Note: The instructions are detailed for both 1000 and 1250 Suites- Please familiarise yourself with the model you have purchased before proceeding further.

Note: DO NOT dispose of the packaging until you have checked and made sure all the parts and fixings listed on P2 & P3, are present..

Unpack your new Suite & Fire which are boxed separately and require some light assembly. Once the fire is unpacked the Cardboard Boxes inside the fire need to be removed and the contents checked, as listed on P3.

To do this, unscrew the 2x Screws holding the 2x Glass Brackets in place. There is 1x Screw either side of the fire. See Diagrams 2 & 3.

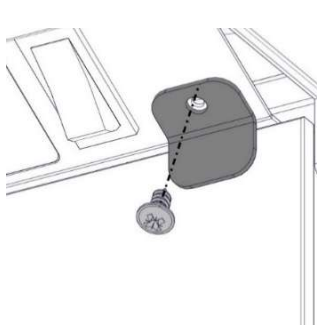


Diagram 2

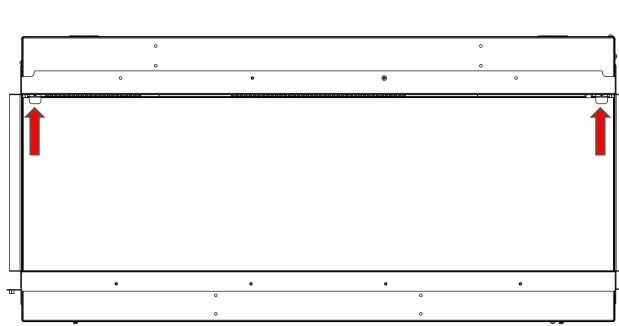


Diagram 3

Once the 2x Screws and 2x Glass Brackets are removed the Glass can be tilted forward (1) from the top of the fire and lifted out of the channel at the base of the glass. (2) See diagram 4.

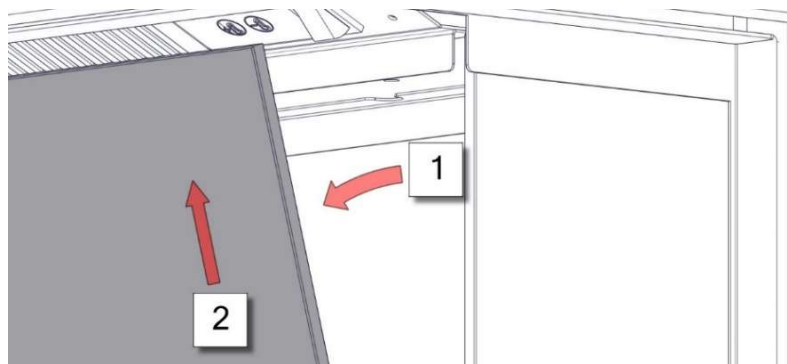


Diagram 4

The next step is to decide on the installation location and before starting the installation ensure that there is enough space to install the Suite - See P2, for the product overall sizes.

Note: Place the Glass, 2x Glass Brackets and 2x Screws in a safe place, as these will be required later.

Note: Before proceeding further ensure there is power to the Fire (Suite), and it is operating correctly. Follow the separate fire operating instructions.

Installation – Wall Mounted Suite

Suite Positioning - The **Wall Mounted Suite** may be positioned at any desired height on the wall.

Note: Consider once installed the distance from the bottom edge of the Suite to the top of the Wall Mount Bracket is 526mm. The top of the surround is approx. 71mm above this. See Diagram 5.

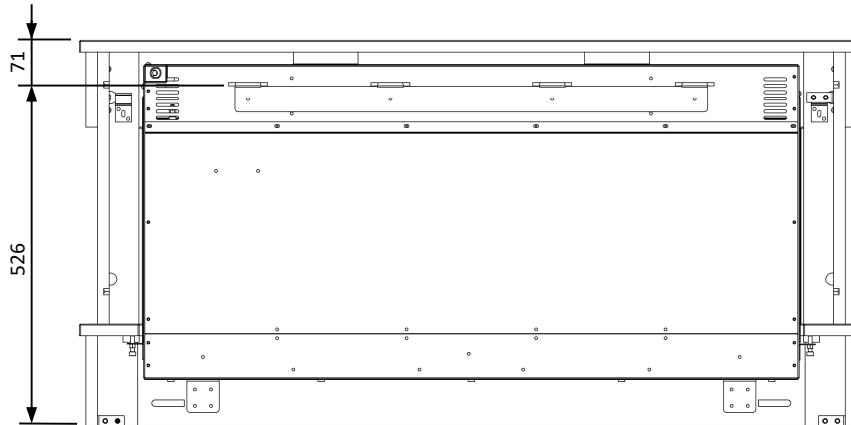


Diagram 5

Once the desired installation height has been determined, lightly mark the position of the bottom edge of the Suite centrally on the wall. Measure up a further **60mm** from this position (**This is so the line can't be seen once the Suite is installed**) and lightly mark a vertical line in the centre of the installation area at a length of approximately **510mm**. See **Diagram 15**.

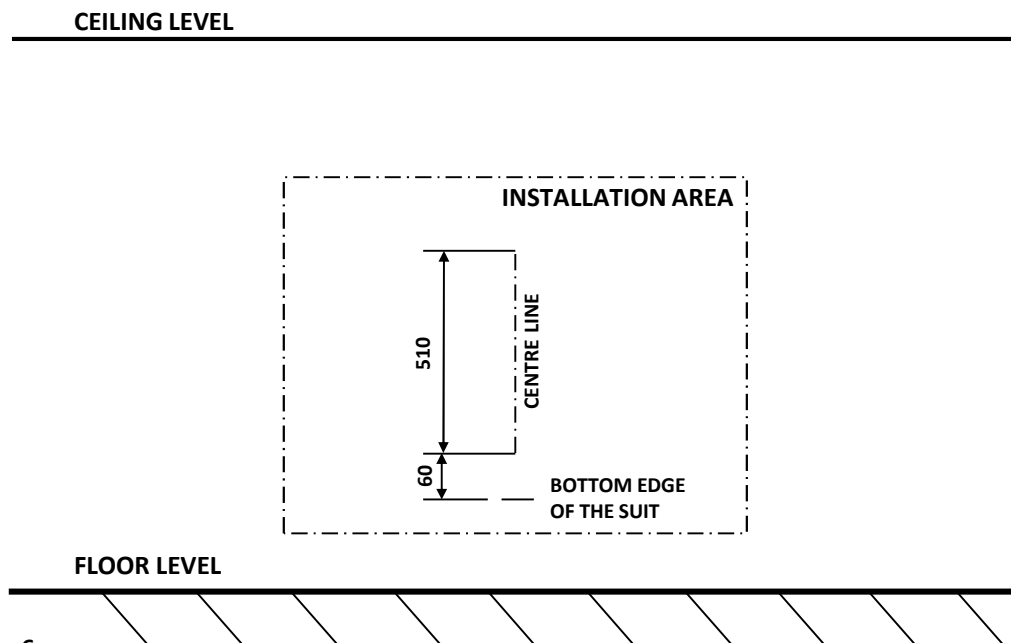


Diagram 6

Installation- Wall Mounted Suite *Continued*.....

Working from the previously marked line indicating the bottom edge of the Suite and using a straight edge lightly mark a horizontal line approx. **300mm** either side of the previously marked centre line at a height of **466mm**.

See **Diagram 7**.

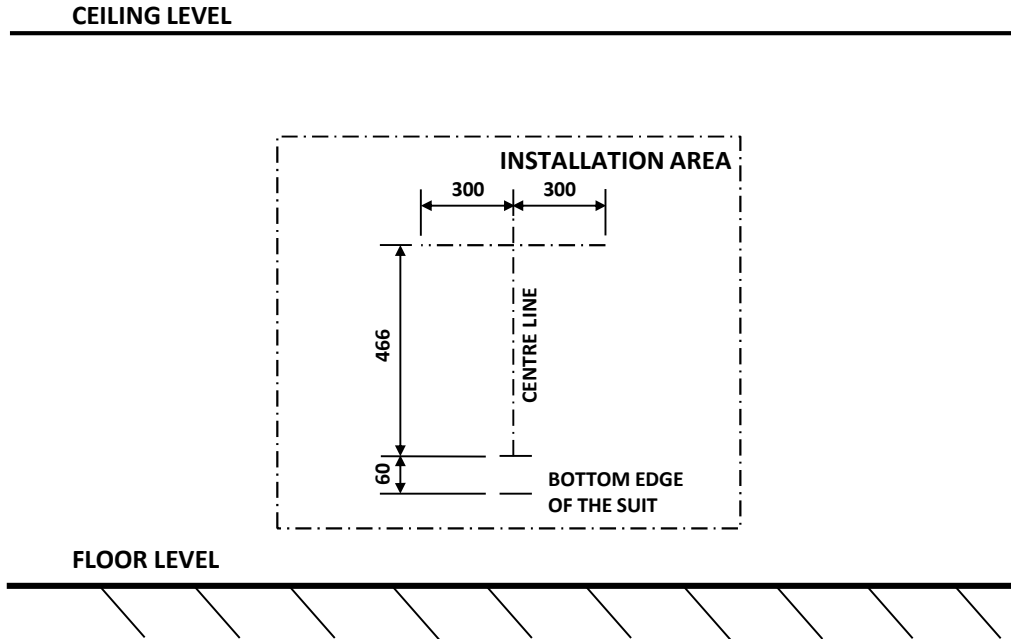


Diagram 7

Locate the Wall Mount Bracket- (screwed to the rear of the fire). Measure and lightly mark the centre of the Wall Mount Bracket and offer the top of the Wall Mount Bracket up to the previously drawn horizontal line, level and mark the fixing positions in the bracket on the wall behind. See **Diagram 8**.

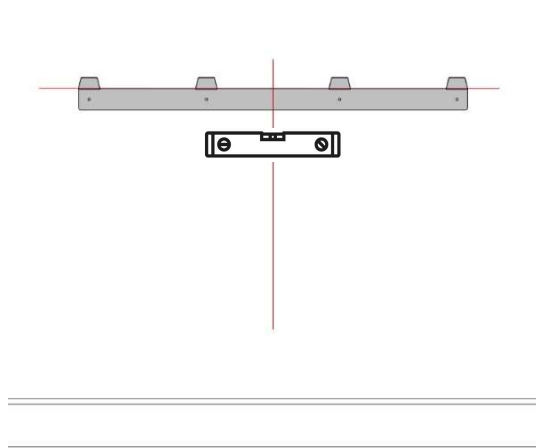


Diagram 8

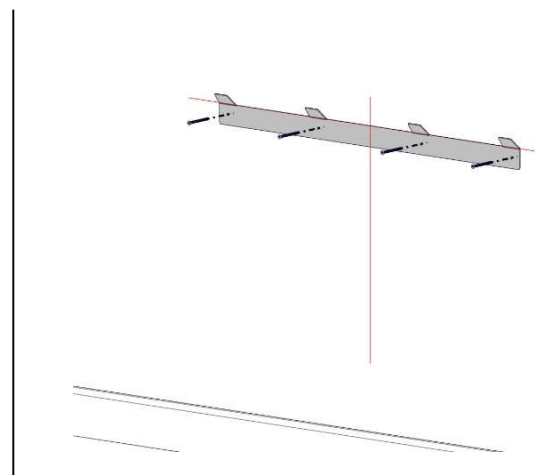


Diagram 9

Once marked, drill the fixing positions. Depending on the wall medium, it may be necessary to plug the drilled holes. See **P14 'Important Note'**.

Finally screw and secure the Wall Mount Bracket to the wall using suitable screws. See **P14 'Important Note'**. See **Diagram 9**.

Installation- Wall Mounted Suite *Continued*.....

Note: The Fire is a two adult person lift.

Note: The power cable needs be routed to the rear of the Suite. Care must be taken not to crush or damage the cable when positioning the Suite. Before proceeding further ensure the power cable is connected to a power supply. See Diagram 18.

Before hanging the Fire on the wall mount bracket. The two L- Brackets need to be repositioned from the transit position to the base of the Fire. Unscrew the L-Brackets and refit them as indicated in **Diagram 10 & 11**, onto the bottom of the Fire.

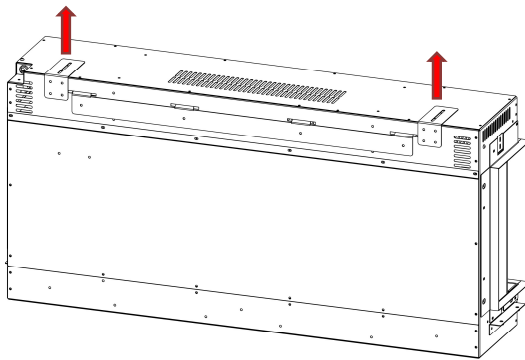


Diagram 10

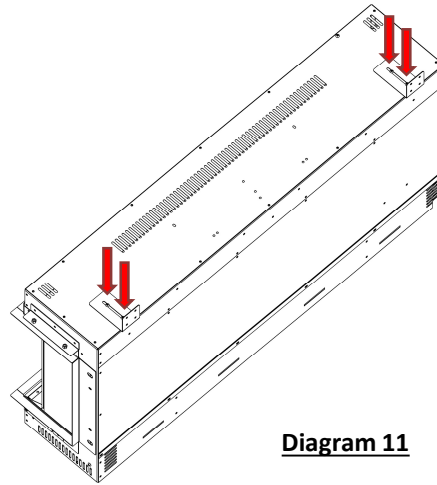


Diagram 11

Lifting the Fire as described on P3, offer the Fire back to the wall approx. 90mm above the top of the Wall Mount Bracket and lower the Fire parallel with the wall into position. When lowering try to make sure the 'prongs' on the Wall Mount Bracket engage with the slots on the back of the Fire. **See Diagram 12 & 13.**

If necessary, repeat this step, until you are confident the Fire is fully engaged on the Wall Mount Bracket and if required centralise in the installation location, there will be some slight adjustment left and right.

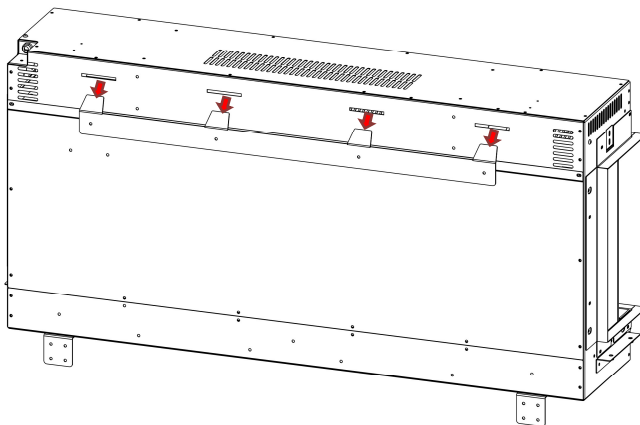


Diagram 12

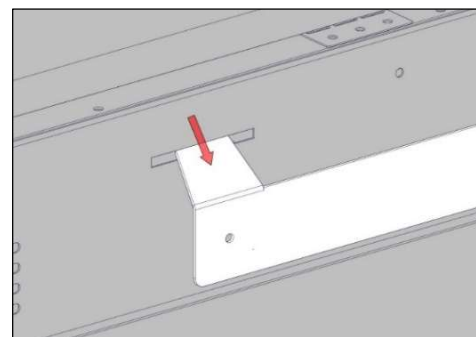


Diagram 13



Installation- Wall Mounted Suite *Continued*.....

Finally, loosen the 4x Screws holding the bottom two L- Brackets, so that the L- Brackets can be positioned up against the wall. The brackets will hold the fire parallel with the wall. Marking the fixing positions. **See Diagram 14.**
Use a spirit level on the front of the fire to ensure it is plumb.



Diagram 14

Mark the fixings positions of the L- Brackets and remove the two L- Brackets from the fire. **See Diagram 15.**

Once removed, drill the fixing positions. Depending on the wall medium, it may be necessary to plug the drilled holes. **See P14 'Important Note'.**

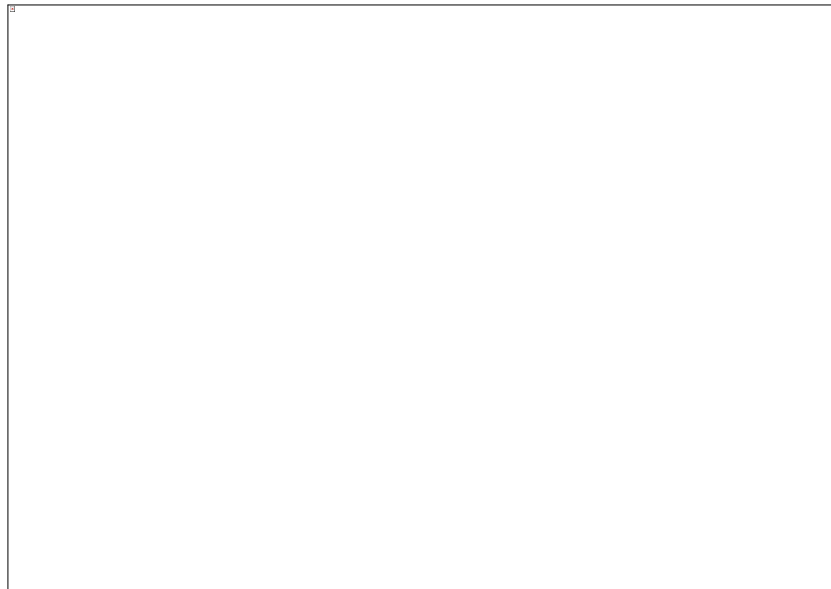


Diagram 15

Installation- Wall Mounted Suite *Continued*.....

Finally screw and secure the 2-off L- Brackets back on the fire and then to the wall using suitable screws. **See P14 'Important Note'. See Diagrams 16 & 17**

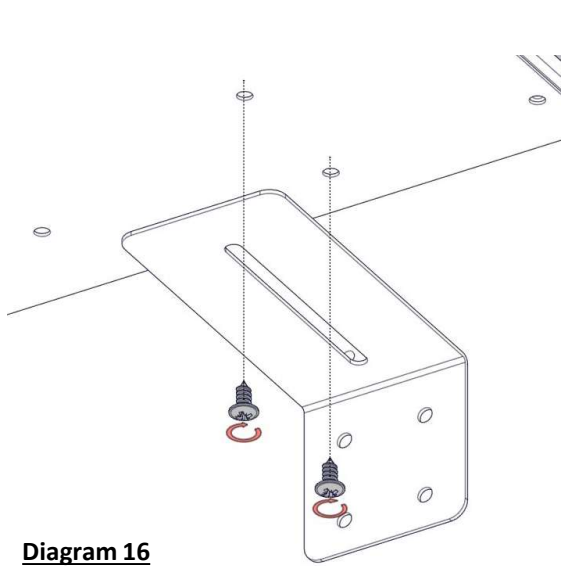


Diagram 16

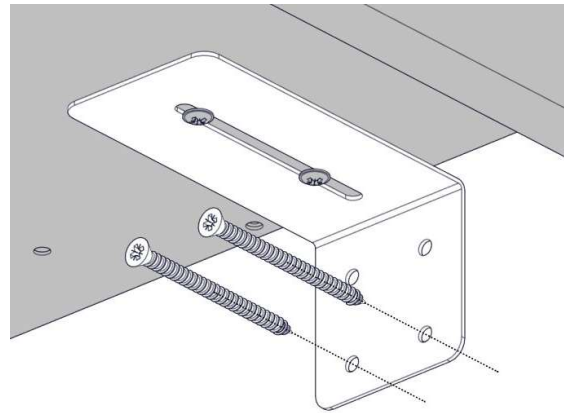


Diagram 17

To aid the installation of the suite parts. We advise that the fire's power cable should be routed neatly down the side of the fire. **See Diagram 18**

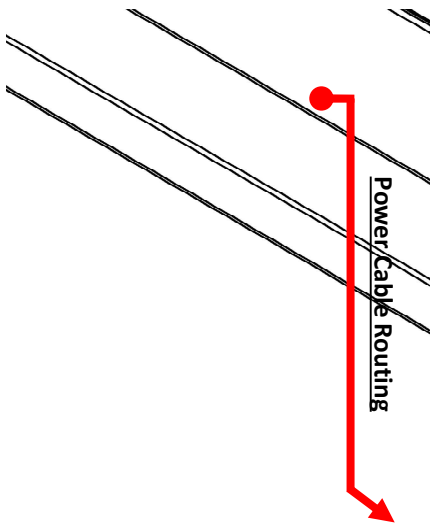


Diagram 18

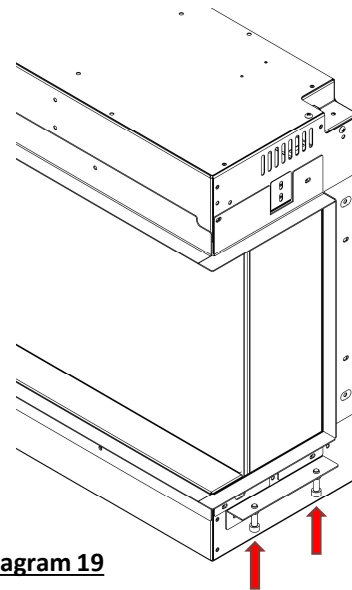


Diagram 19

The fire installation is now complete. Locate the previously unpacked surround top, base and sides. The suite base/hearth, will be fitted to the wall mounted fire first. To aid fitment loosen the 4x M6 Hex head screws which will be installed on the fire at the factory. These need to be backed off fully to allow the hearth top panel to slide on to the mount brackets without resistance. **See Diagram 19 & 20**

Installation- Wall Mounted Suite *Continued*.....

Position the hearth centrally on the fire, touching the rear wall. Take great care when sliding the hearth in place to prevent scratching the top surface of the hearth. Lightly tighten the 4x M6 Hex head screws which will be installed on the fire at the factory. See **Diagram 21 & 22**.

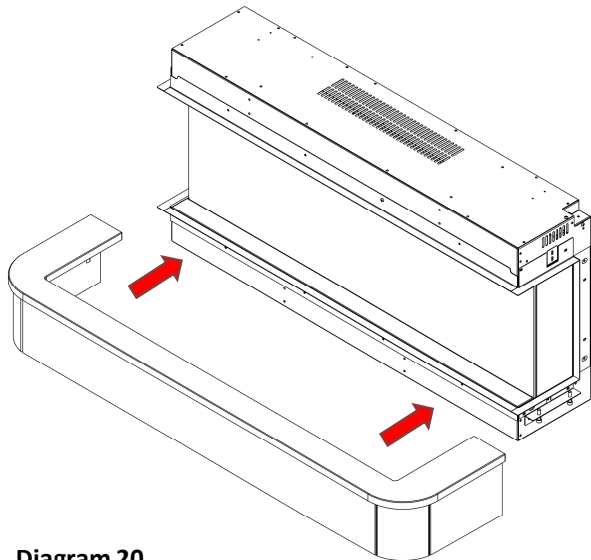


Diagram 20

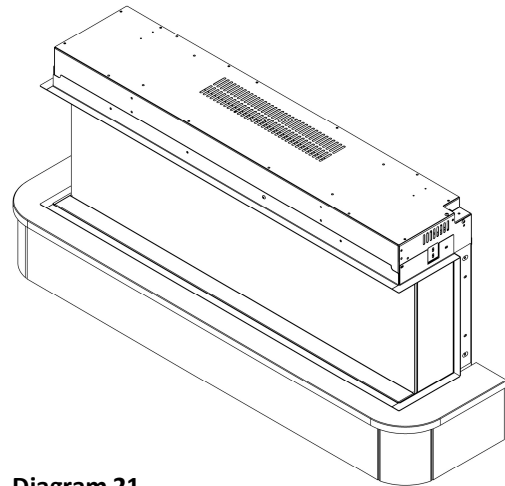
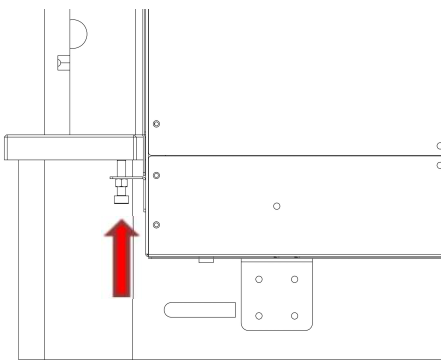


Diagram 21



REAR VIEW

Diagram 22

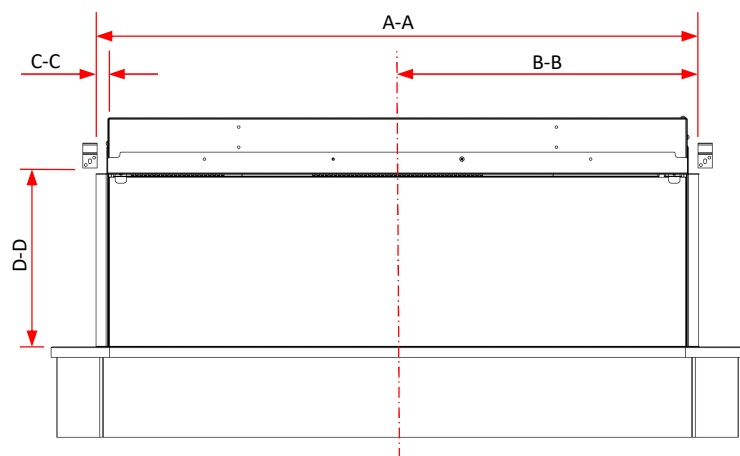


Diagram 23

The next step to the suite installation is to fit the suite top section wall hooks. The wall hooks should be positioned as detailed in **Diagram 23** (dependant on the fire option installed).

Fire/ Surround	Dimensions (mm)			
	A-A	B-B	C-C	D-D
INVISION 1000L FIRE/ JULIETTE SUITE	1050	525	18	312
INVISION 1250L FIRE/ JULIETTE SUITE	1300	650	18	312

Installation- Wall Mounted Suite *Continued*.....

Locate the suite top and 2-off column sides. Screw the lefthand and righthand columns to the inside rear of the suite top, using 4-off 30mm Dome Head Screws provided. The columns must be touching the top under side face, in line with the rear face of the suite top. **See Diagram 24.**

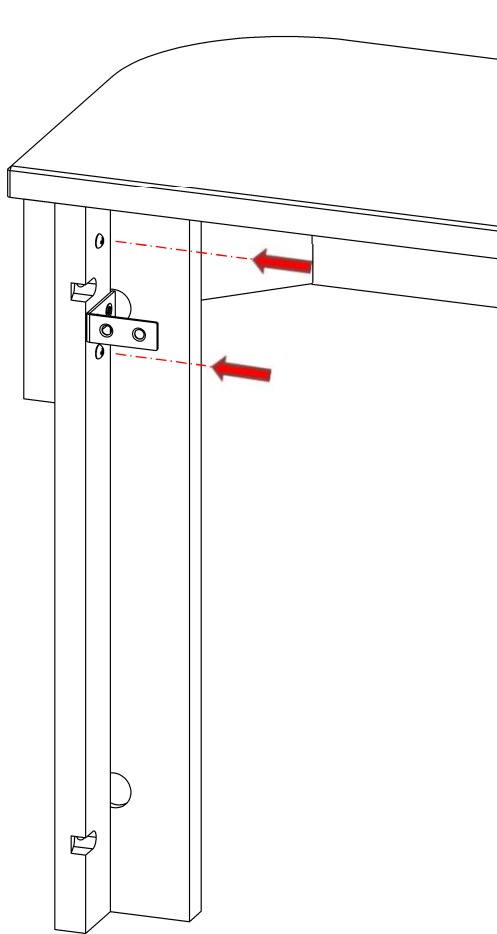


Diagram 24

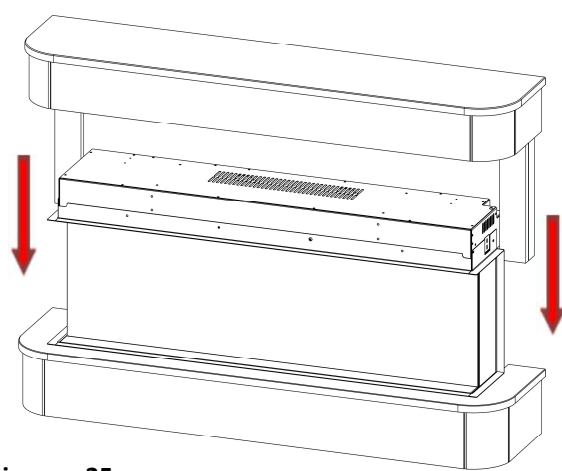


Diagram 25

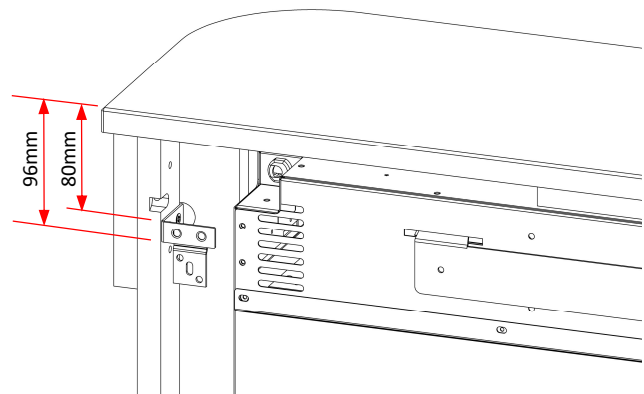
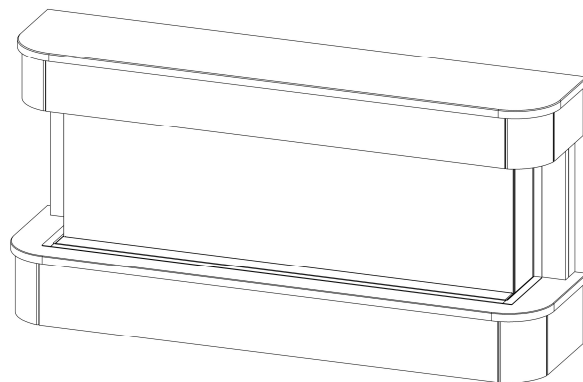


Diagram 26

Once the suite top is assembled. With the help of a second person, the suite top should carefully positioned down behind the fire. Great care should be taken when lowering the suite top on to the suite base, locating the suite top on to the previously installed wall hooks. **See Diagram 25 & 26.**

The fire installation is now complete. The fuel bed can now be dressed and the logs positioned. **See Diagrams 27-31, P12.**



Fuel Bed Layout & Log Positioning

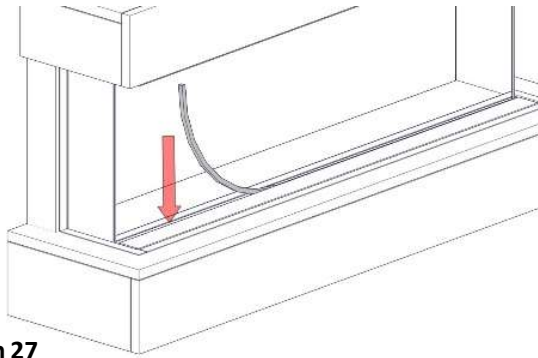


Diagram 27

Tip: Before dressing the fuel bed- position the foam strip (supplied) in the channel in the base of the fire, this will help to stop the smaller fuel bed material falling into the channel during installation. See Diagram 27.

The dressing of the fuel bed can be fully tailored to the customers individual tastes. A sufficient amount of each fuel bed finishing material has been provided to cover the fuel bed in a single type of material.

Fuel Bed Dressing- As a starting point follow the example below:

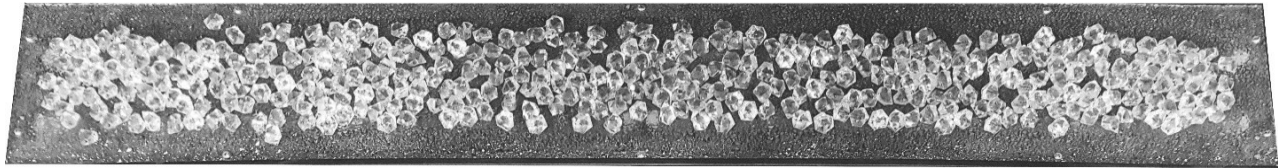


Diagram 28 - Place a large amount of crystals in the centre of the fuel bed- leaving a gap around the edges.

Tip- The crystals pick up light from the under bed lights to give you a realistic glowing ember effect, so we recommend using a generous amount.



Diagram 29 - Fill the space around the edges of the crystals with the pebbles, as well as randomly in between the crystals.

Positioning the logs- As a starting point follow the example below:



Diagram 30 - Above shows an example of the 7-off log set up for the **1250L Fire** .



Diagram 31 - Above shows an example of the 5-off log set up for the **1000L Fire** .

Replacing the Glass

Finally the Glass and 2x Glass Brackets can be refitted, using the previously removed 2x Screws.

Note- Before proceeding further remove the foam strip and check the channel in the base of the fire is free of any fuel bed material.

Tip- Ensure the rear of the glass is clean before fixing in place.

With the rear of the Glass clean and angled forward slightly position the Glass in the channel in the base of the fire (1), and carefully push back into position. (2) See Diagrams 32 & 33.

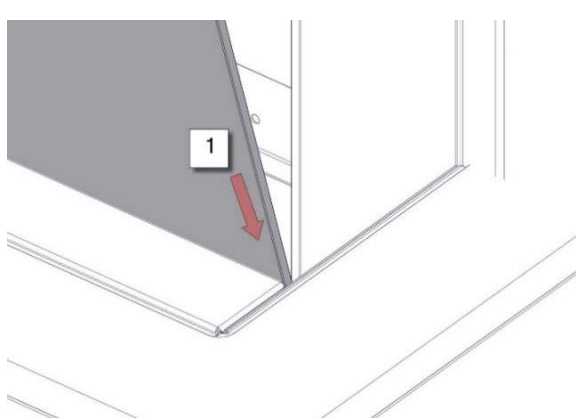


Diagram 32

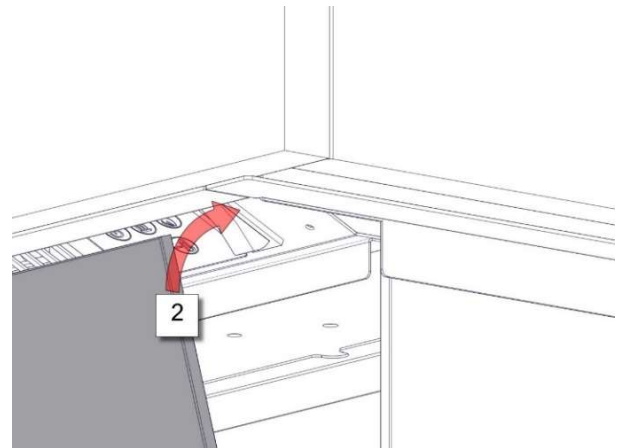


Diagram 33

Once in the correct position secure with the 2x Screws and 2x Glass Brackets. 1x Screw and 1x Glass Bracket either side of the fire. See Diagram 34.

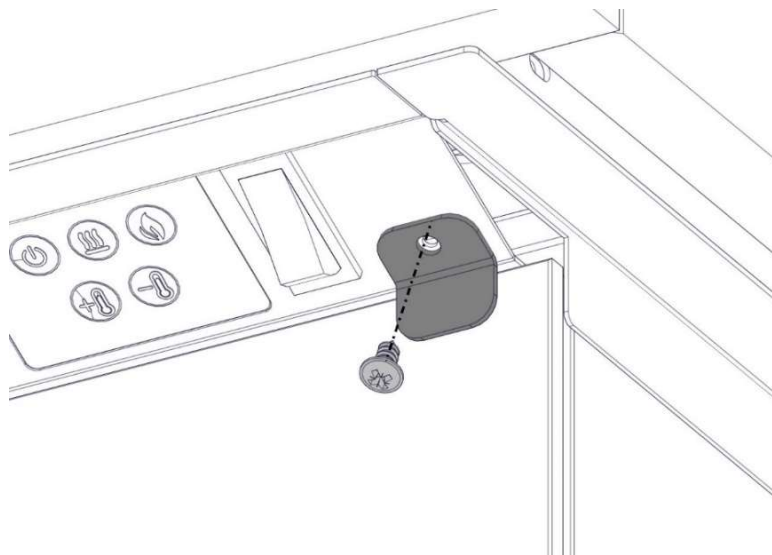


Diagram 34

The installation is now complete.

Note: Consult the separate Fire Operating Instructions for manual and remote operation.

Maintenance

WARNING: Before any maintenance or whilst cleaning the exterior of the fireplace, the unit should be disconnected from the power supply until it has cooled down.

Cleaning the Fire

Cleaning or polishing products are not recommended. Fingerprints or other marks on the front glass panel can be removed by a piece of soft, damp, lint-free cloth with a good quality household glass cleaner. The front glass panel should always be completely dried with a clean, lint-free cloth or paper towel.

CAUTION: Abrasive cleaners should not be used on the glass panel. Liquids should not be sprayed directly onto any surface of the unit.

Troubleshooting

Should you have any queries regarding this product please contact Customer Services on 0191 4300901 (option 4) or email us at customerservices@bemodern.co.uk

Recycling

All cardboard packing is recyclable

IMPORTANT NOTE:

Wall fixings (i.e. screws/wall plugs etc.) are not supplied as these are crucially dependent upon the type of wall and surface the Suite is going to be fixed too. The installer is therefore responsible for ensuring that suitable fittings are used as well as individual fitting situations and environments. All mechanical fixings, for holding the Suite in position, must be secured to a solid wall or structure.