

# bemodern®

FIREPLACES & STOVES | BATHROOM FURNITURE

## **Floor Standing & Wall Mounted Timber Suites Instructions For Assembly & Installation**

(Surround & Fire Supplied Separately)

### **Models Covered:**

**4361 & 4382**

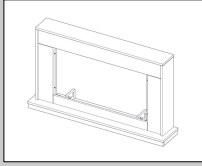
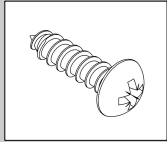
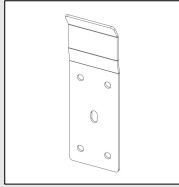
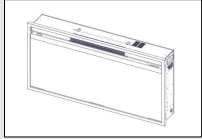
Floor Standing & Wall Mounted Timber Suites

Including

4304 36" Landscape & 4306 22" Portrait

	<b>Page</b>
Parts, Fittings Supplied & Important Note	2
Preparing for Surround Installation	3-4
Surround Installation	4-5
Fire Installation	5-7
Maintenance / Important Note	8

## Parts & Fittings Supplied.

REF	PARTS	DIAGRAM	QTY	REF	PARTS	DIAGRAM	QTY
<b>A</b> BOX-1	Surround		1	<b>C</b> BOX-1	4mm x 16mm Dome head POZI Screws Supplied with surround		4
<b>B</b> BOX-1	Wall Bracket Supplied with surround.		2	<b>D</b> BOX-2	Fire Supplied Separately.		1

### Before you start

**DO NOT** dispose of the packaging until you have checked and made sure you have all the parts and fittings listed above. If not, contact: **BE MODERN - HELPLINE 0191 430 0901** who will be able to assist you with this and any other problems you may encounter.

When you are ready to start, make sure that you have the right tools to hand, plenty of space and a clean dry working area.

**NOTE:** Protect the surface you are working on to prevent any possible damage to the fire surround or floor.

### Fire Instructions

For fire operating instructions please refer to the separate instructions supplied with the fire.

### Care

To maintain the appearance of your new suite we recommend that it is dusted using a lint free cloth. **NEVER** use any form of abrasive or **DAMP** cloth.

### Tools Required (not supplied)

•Pencil •Screw Driver •Ruler •Tape Measure •Drill

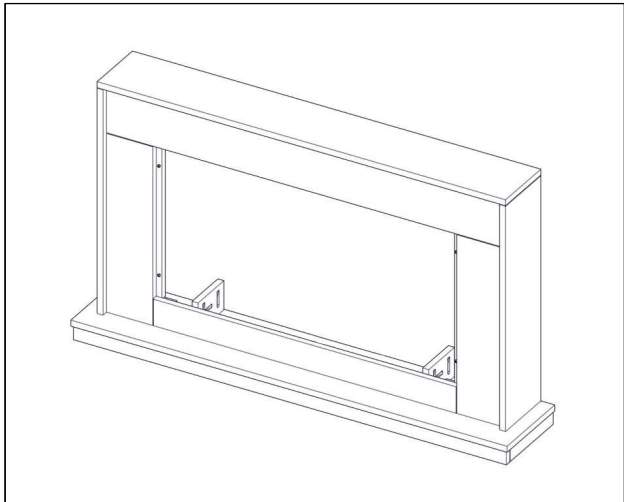
#### IMPORTANT NOTE:

Wall fixings (i.e. screws/wall plugs etc.) are not supplied as these are crucially dependent upon the type of wall and surface the Suite is going to be fixed too.

The installer is therefore responsible for ensuring that suitable fittings are used as well as individual fitting situations and environments. All mechanical fixings, for holding the Suite in position, must be secured to a solid wall or structure.

## Preparing for Surround Installation

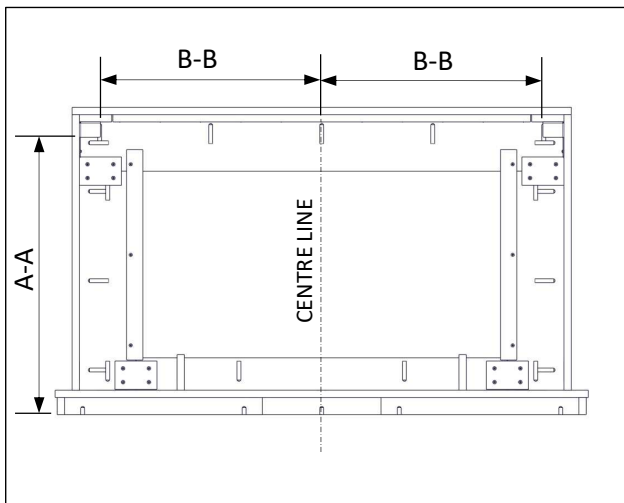
Unpack the Surround and prepare the area for the installation



**Note:** Dependent on the surround size purchased and whether the surround will be floor or wall mounted; the wall mount bracket position will be different.

Measure from the base of the surround up to the bottom edge of the pre-installed Mount Bracket to get dimension A-A.

Measure from the inside edge of the righthand Mount Bracket to the inside edge of the lefthand Mount Bracket. Divide the dimension by 2. to get dimension B-B.

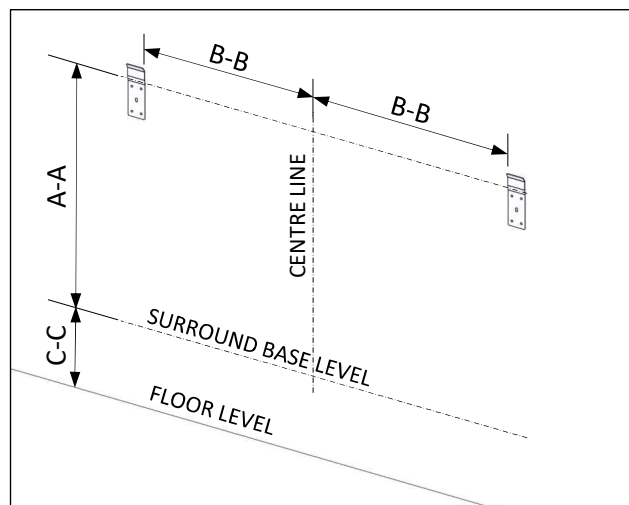


Mark a centre line on the wall from the floor level up (dimension A-A) for **floor mounted surrounds**.

For **wall mounted surrounds** decided a distance from the floor to the bottom of the surround, dimension C-C.

Mark a centre line starting at dimension C-C from the floor level, at a distance of A-A.

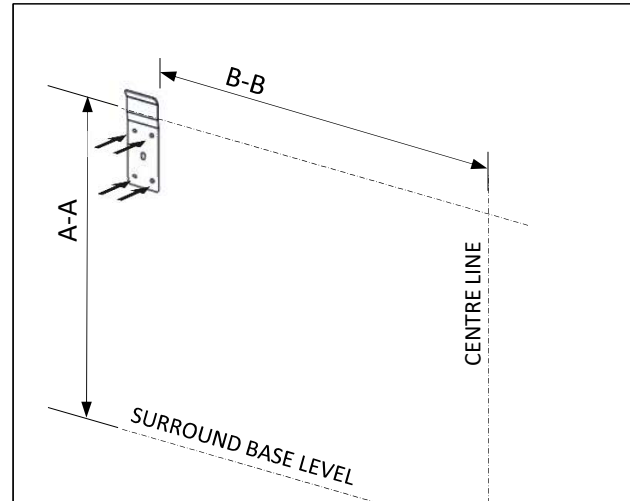
Measure out from the centre line and mark the position of the Wall Hook Brackets, supplied separately.



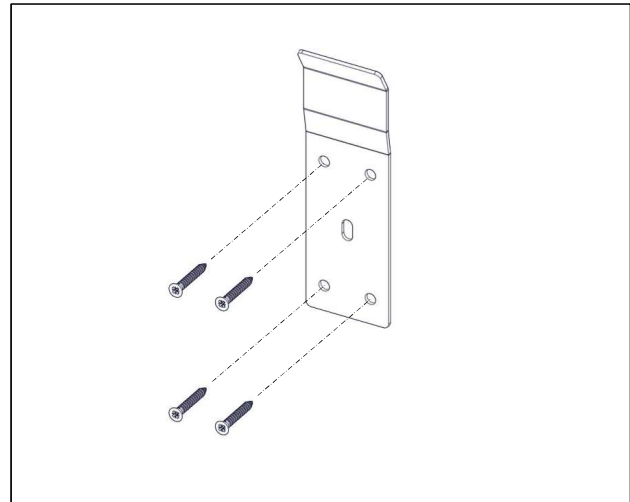
Holding the wall hook brackets in place mark the position of the fixing holes on the wall. The wall hook brackets must be level and horizontal with each other.

Drill and plug the 8 fixing points in the wall with the appropriate fixing for the wall medium.

See **IMPORTANT NOTE** on page 2 for wall fixing information.



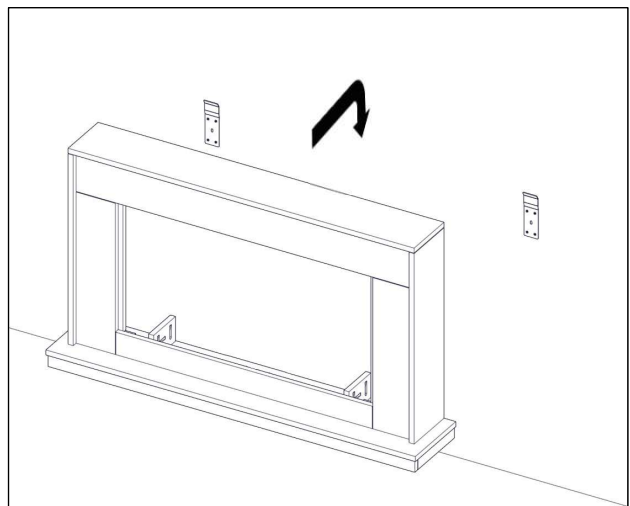
Using the 4 pre-drilled screw holes. Securely fix both wall hook brackets in place.



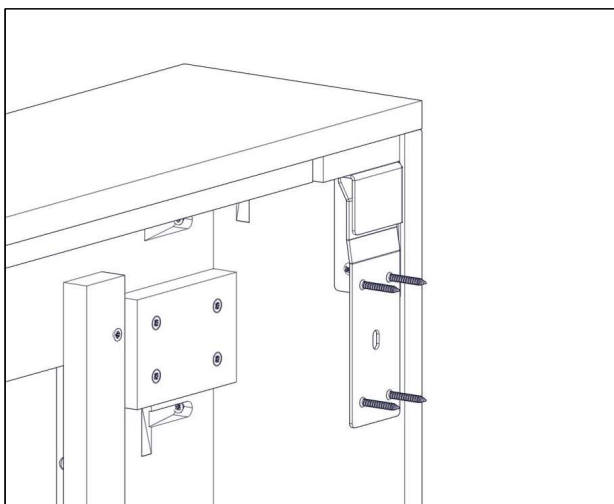
## Surround Installation

With a second person to help. Lift the surround on to the wall hook brackets. Lowering the surround down carefully until it is held securely in place against the wall.

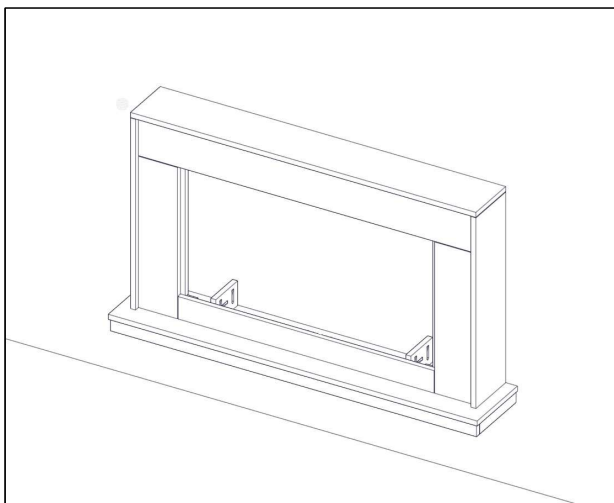
**NOTE:** For floor standing installations the fire will need to be installed in the surround prior to the surround being positioned on the wall hook brackets. This allows the power cable to be routed to the supply. Care must be taken not to trap or damage the power cable on the installation. See page 5&6 for fire installation.



When installed, the surround mount brackets should be securely positioned over the wall hook brackets.



The surround installation on the wall is complete.

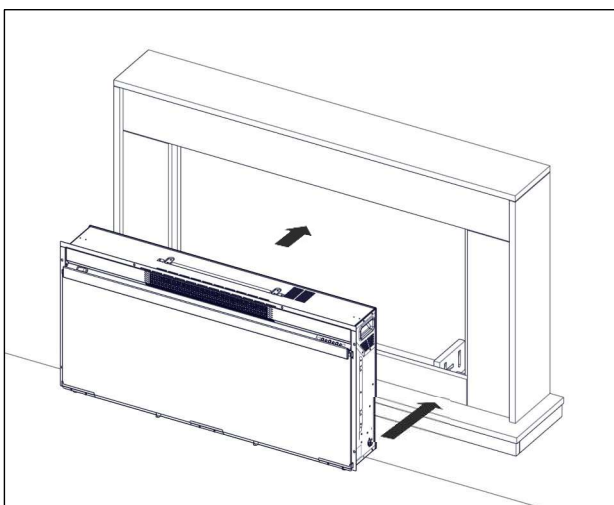


## Fire Installation

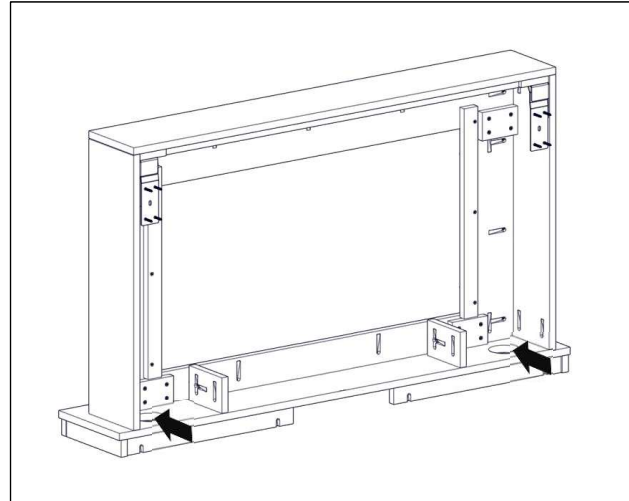
Unpack the fire and remove fire front trim if fitted. Again, with a second person lift the fire carefully in to place. As the fire is lifted in to place feed the power cable in to the surround rear and out of the plug routing holes in the surround base.

**TIP:** Angle the fire into the opening- the right side (cable side) first.

**NOTE:** Care must be taken not to trap or damage the power cable when routing for the installation.



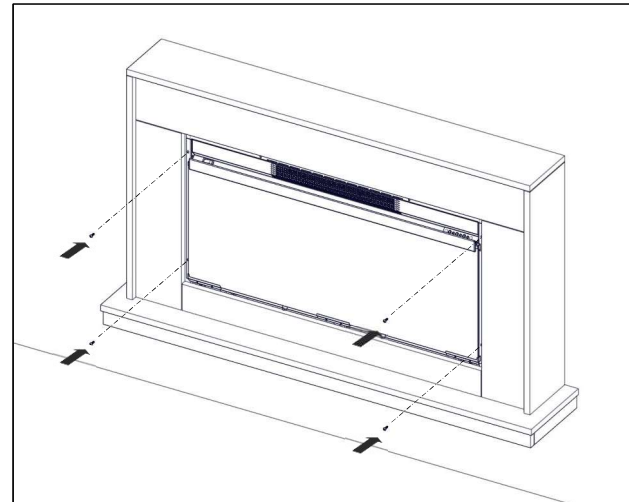
Shown here in the surround base are the power cable routing holes.



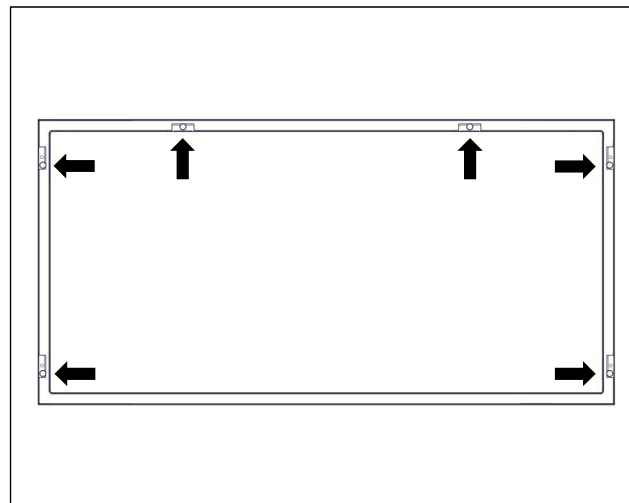
Centre the fire in the opening.

For best results pilot hole the position of the fixing points in the fire onto the panel behind.

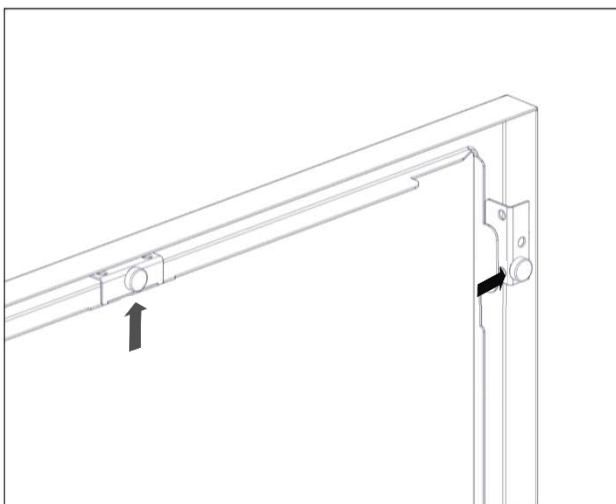
Securely screw the fire in place in all four corners with the supplied 4-off 4mm x 16mm Dome head screws (Ref-C).



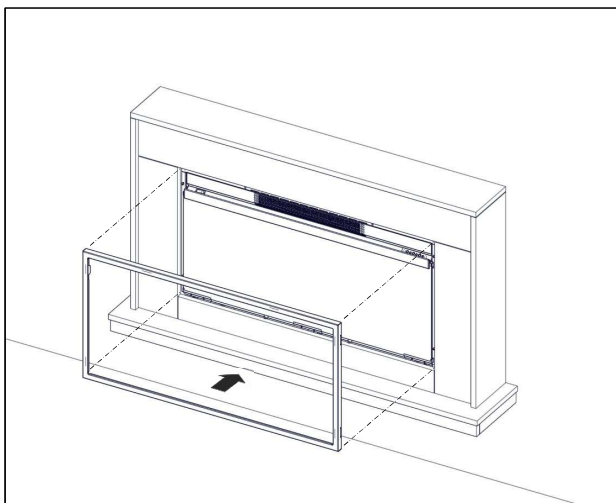
Position the 6 magnets on the raised metal magnet blocks at the rear of the trim. For the side magnets. Position the magnets on the blocks below the central holes. The magnets should not be positioned over the fire mounting screws.



Shown here are the magnets in place on the magnet blocks. Note, the side magnet is positioned below the central hole.



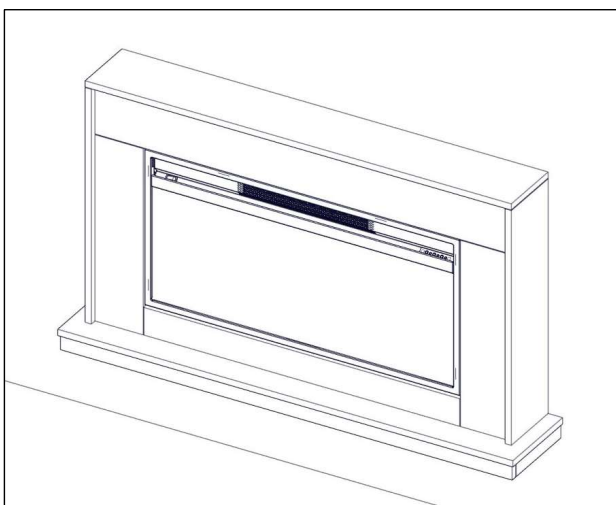
Place the trim over the front of the fire, with the magnets holding the trim securely in place.



The Suite installation is now complete.

**Note:** For fire operating instructions please refer to the separate instructions supplied with the fire.

**Note:** Should a defect be discovered and in the event of a Suite being permanently fixed to the wall the householder will be responsible for any costs incurred.



---

## Maintenance

---

**WARNING:** Before any maintenance or whilst cleaning the exterior of the fireplace, the unit should be disconnected from the power supply until it has cooled down.

### Cleaning the Fire

Cleaning or polishing products are not recommended. Fingerprints or other marks on the front glass panel can be removed by a piece of soft, damp, lint-free cloth with a good quality household glass cleaner. The front glass panel should always be completely dried with a clean, lint-free cloth or paper towel.

**CAUTION:** Abrasive cleaners should not be used on the glass panel. Liquids should not be sprayed directly onto any surface of the unit.

### Troubleshooting

Should you have any queries regarding this product please contact Customer Services on 0191 4300901 (option 4) or email us at [customerservices@bemodern.co.uk](mailto:customerservices@bemodern.co.uk)

### Recycling

All cardboard packing is recyclable

**IMPORTANT NOTE:**

Wall fixings (i.e. screws/wall plugs etc.) are not supplied as these are crucially dependent upon the type of wall and surface the Suite is going to be fixed too.

The installer is therefore responsible for ensuring that suitable fittings are used as well as individual fitting situations and environments. All mechanical fixings, for holding the Suite in position, must be secured to a solid wall or structure.

**Where appropriate please recycle packaging responsibly.**

---