

# bemodern<sup>®</sup>

FIREPLACES & STOVES | BATHROOM FURNITURE

## **Surround & Fire Instructions For Assembly & Installation**

**Models Covered:**

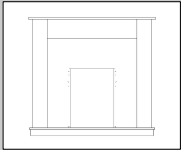
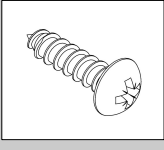
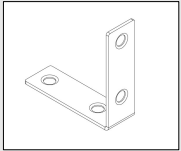
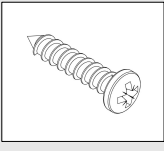
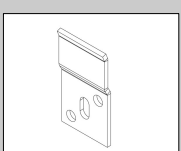
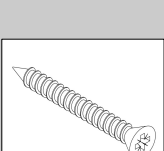
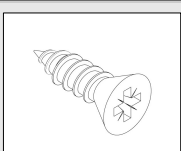
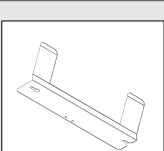
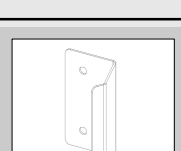
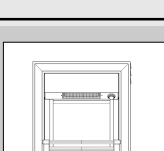
**4317MF / 4317FPMF**

Floor Standing Surround

(Surround & Fire Supplied Separately)

	<b>Page</b>
Parts, Fittings Supplied & Important Notes	2
Surround Installation	3-4
Mounting Hole – Guide Key	4
Comet 1115 Fire Installation	5
Bayden 2599 Fire Installation	6
Fazer / Aspen 1105 Fire Installation	7-8
Ember 1584 Fire Installation	9-10
Beam 2893 Fire Installation	11-12
Abbey 1242 Fire Installation	13
Banbury 1471 Fire Installation	14
Maintenance / Important Notes	15

## Parts & Fittings Supplied.

REF	PARTS	DIAGRAM	QTY	REF	PARTS	DIAGRAM	QTY
<b>A</b> BOX-1	Surround		1	<b>F</b> BOX-1	4mm x 16mm Dome head POZI Screws Supplied with surround		4
<b>B</b> BOX-1	Surround Bracket Supplied with surround.		2	<b>G</b> BOX-1	4mm x 20mm Pan head POZI Screws Supplied with surround		2
<b>C</b> BOX-1	Wall Bracket Supplied with surround.		2	<b>H</b> BOX-1	3.5mm x 40mm CSK POZI Screws Supplied with surround		2
<b>D</b> BOX-1	3.5mm x 16mm CSK POZI Screws Supplied with surround.		4	<b>J</b> BOX-1	FAZER/ASPEN Top Bracket Supplied Separately		1
<b>E</b> BOX-1	COMET Back Panel Clamp Bracket Supplied with surround.		2	<b>K</b> BOX-2	Fire Multiple Options Supplied Separately		1

### Before you start

**DO NOT** dispose of the packaging until you have checked and made sure you have all the parts and fittings listed above. If not, contact: **BE MODERN - HELPLINE 0191 430 0901** who will be able to assist you with this and any other problems you may encounter.

When you are ready to start, make sure that you have the right tools to hand, plenty of space and a clean dry working area. **NOTE:** Protect the surface you are working on to prevent any possible damage to the fire surround or floor.

### Fire Instructions

For fire operating instructions please refer to the separate instructions supplied with the fire.

**Care:** To maintain the appearance of your new suite we recommend that it is dusted using a lint free cloth. **NEVER** use any form of abrasive or **DAMP** cloth.

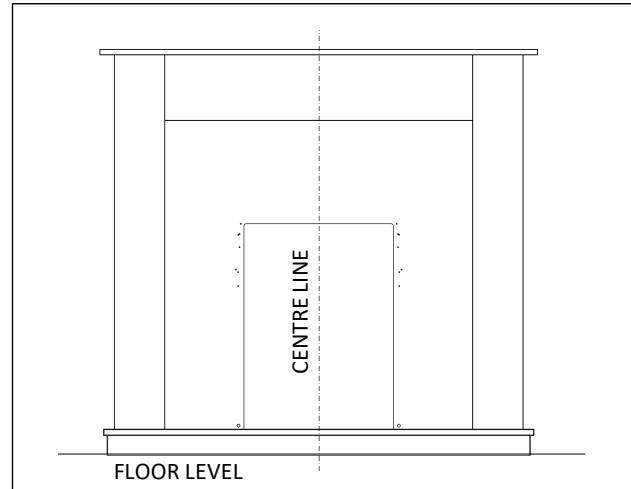
**Tools Required (not supplied)** •Pencil •Screw Driver •Ruler •Tape Measure •Drill

## Surround Installation

Before starting familiarize yourself with the surround and fire installation instructions. **Certain fires may need fitting prior to the surround being installed.**

Unpack the Surround and prepare the area for the installation. Consideration for the routing of the fire power cable will need to be given before the surround is installed. Dependent on the selected fire. The fire power cable may need routing around the rear of the surround before the surround is installed.

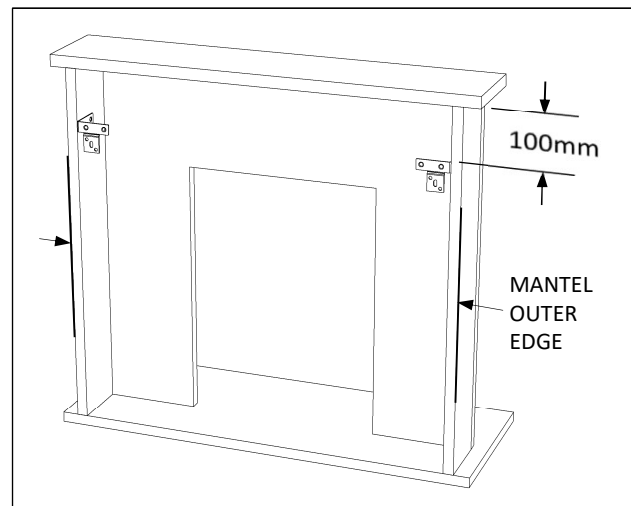
Trial fit the surround in the required position. Remove any obstructions, i.e. cut to shape or remove skirting to allow the surround to butt up to the wall.



Screw the 2-off surround brackets (B) to the inside of each leg using the 4-off (D) 3.5x16mm screws provided, making sure that the brackets are flush with the rear of the leg.

With the surround in position. Lightly scribe the wall in line with outer edges of the surround. Lift the surround away from the wall. Measure inwards from the previously scribed line the thickness of the mantel leg plus 10mm.

**Note: Surround is a two adult person lift.**

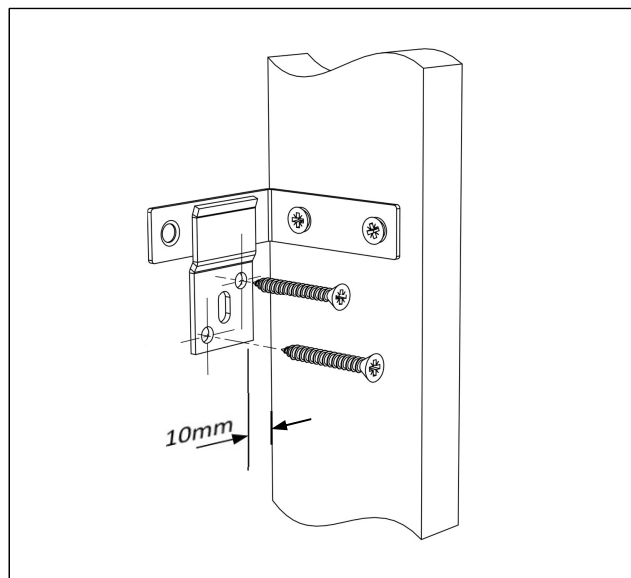


Fix the wall brackets (C) in place using the appropriate fixing dependent on the type of wall (Fixings are not supplied). Ensure surround brackets (B) will fall halfway between the folds on the wall brackets (C).

See **IMPORTANT NOTE** on page-4 for wall fixing information.

**IMPORTANT:** If a power cable is to be routed to the rear of the surround. Care must be taken not to crush or damage the cable when positioning the surround.

Lift the surround onto the wall brackets (C) and confirm it is securely held in place.



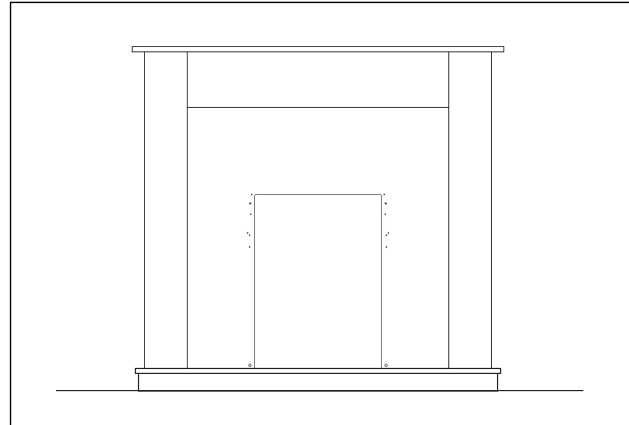
**IMPORTANT NOTE:**

Wall fixings (i.e. screws/wall plugs etc.) are not supplied as these are crucially dependent upon the type of wall and surface the Suite is going to be fixed too.

The installer is therefore responsible for ensuring that suitable fittings are used as well as individual fitting situations and environments. All mechanical fixings, for holding the Suite in position, must be secured to a solid wall or structure.

In the unlikely event of the electric fire requiring repair or replacement, it may be necessary to remove the whole surround from the wall position, this can be done by lifting the surround straight up, off the fixing brackets located at the rear. To replace the suite please follow the instructions on page-3.

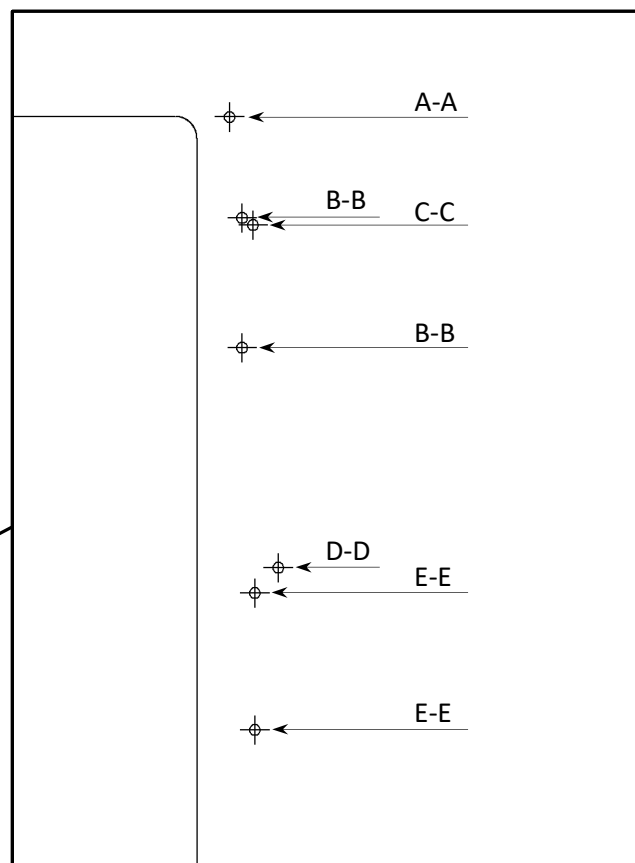
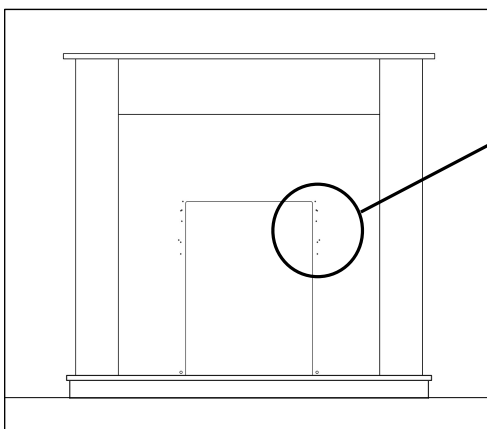
**Note:** Should a defect be discovered and in the event of a suite being permanently fixed to the wall the householder will be responsible for any costs incurred.



**Mounting Hole – Guide Key**

- A-A – 2599 Bayden Fire
- B-B – 2893 Beam Edge Fire
- C-C – 1242 Abbey Fire
- D-D – 1584 Ember Fire
- E-E – 1115 Comet Fire

1115 – Fazer/Aspen use supplied mount bracket.  
1471 – Banbury mounts using fire fixing points. No pilot holes are provided in the back panel for this fire.



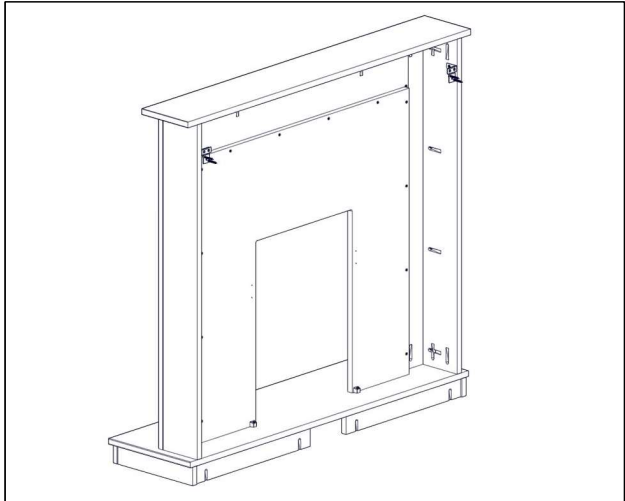
## Comet Fire Installation

**Note:** The fire mount components are supplied with the surround. The fire is packaged separately.

**Note:** The fire is supplied with the spacer attached, **this is required to be removed before commencing installation**, please follow the separate instructions supplied with the fire, detailing the removal process.

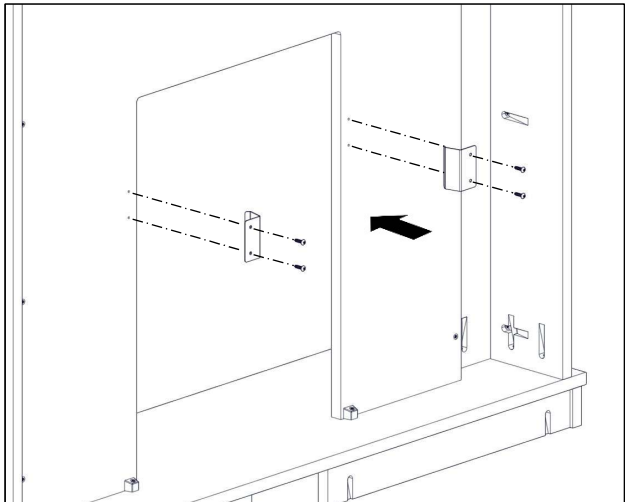
**IMPORTANT:** To install the Comet fire the back panel clamp brackets (E) must be fitted before the surround is installed.

**Note:** Surround is a two adult person lift.



Screw the 2-off (E) clamp brackets to the rear face of the surround back panel with 4-off (F) 4x16mm Dome head screws. Use pilot holes E-E.

Once the back panel clamp brackets have been installed the surround can be secured to the wall, as detailed in the Surround Installation section above.

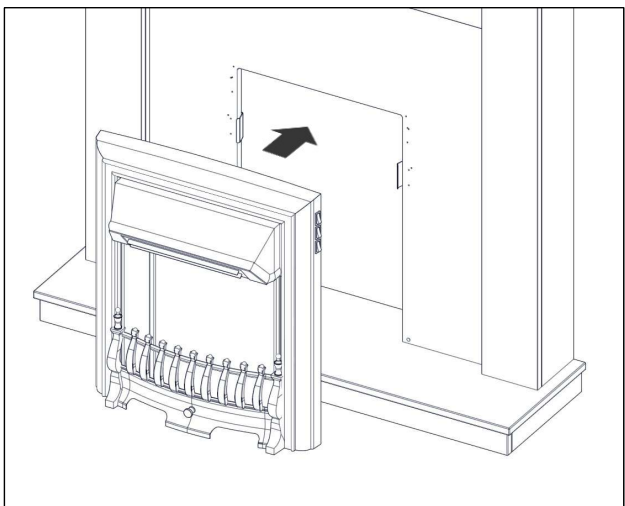


To install the fire first route the power cable through the back panel cut-out. Lift the fire into position in front of the cut-out and lightly push the fire back in to place. The fire will be held in place with the spring clamp brackets.

**Tip:** Angle the fire into the opening right hand side first then left. The spring clamps may need bending in or out slightly to aid fitment or to position the fire securely.

**Note:** Care must be taken not to trap or damage the power cable when routing for the installation.

**Note:** The fire operating instructions 200655 are supplied separately with the fire.



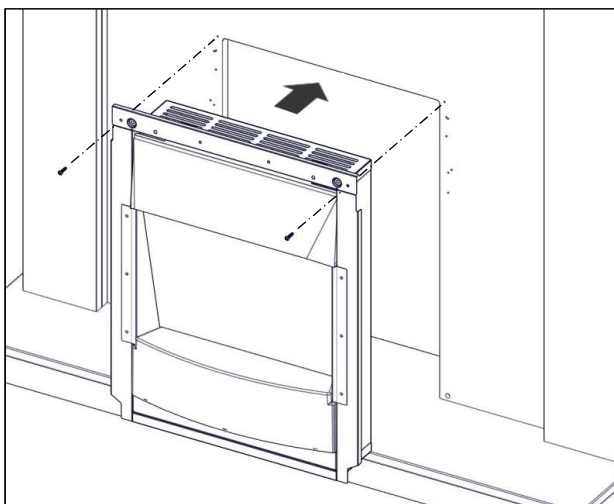
## Bayden Fire Installation

The fire mounting screws are supplied with the surround. The fire is packaged separately.

To install the fire first route the power cable through the back panel cut-out. Care must be taken not to trap or damage the power cable when routing for the installation.

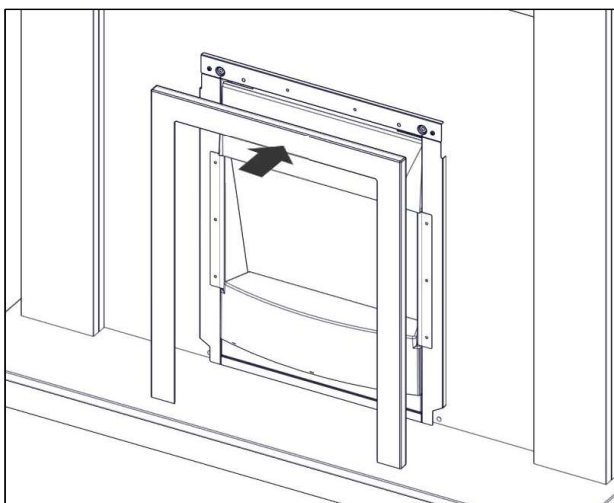
Position the fire centrally in the back panel cut-out.

Secure the fire in place with the supplied 2-off (G) 4x20mm Pan head screws using the pre-drilled pilot holes A-A.



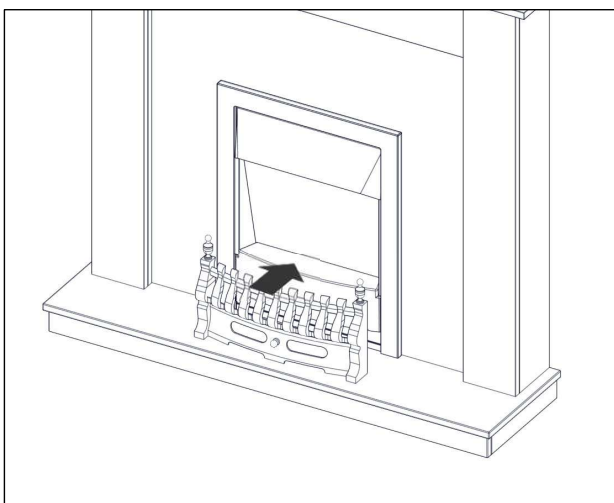
Place the trim magnets on the rear face of the trim.

Position the trim centrally over the installed fire.



To finish the fire installation, place the fire Fret centrally over the fire base.

**Note:** The fire operating instructions 200774 are supplied separately with the fire.



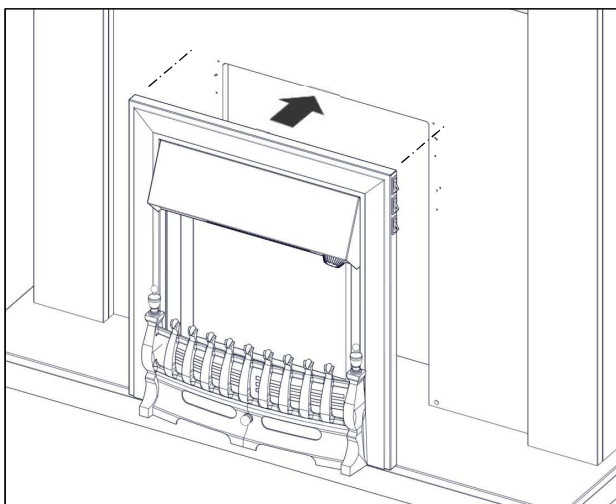
## Fazer/Aspen Fire Installation

**IMPORTANT:** To install the Fazer/Aspen it is best practice to install the fire in place, in the surround before the surround is installed. This prevents damaging the hearth. The Surround can then be installed as one complete assembled part.

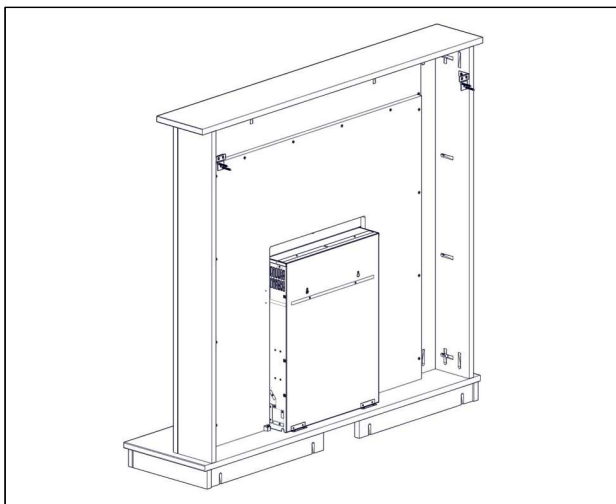
The fire and mount bracket are supplied separately.

To install the fire first route the power cable through the back panel cut-out and position the fire centrally in the cut-out.

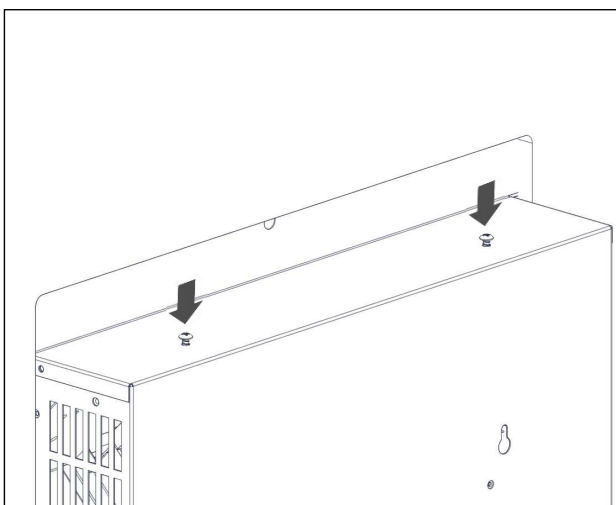
**Note:** Care must be taken not to trap or damage the power cable when routing for the installation.



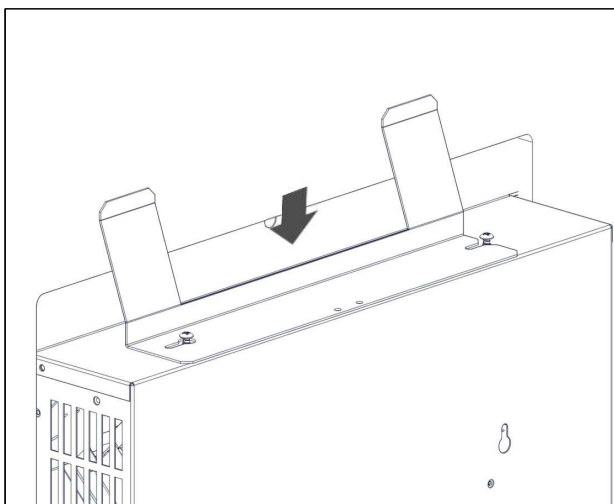
Once the fire has been placed centrally in position from the front. Move to the rear to secure the fire in place.



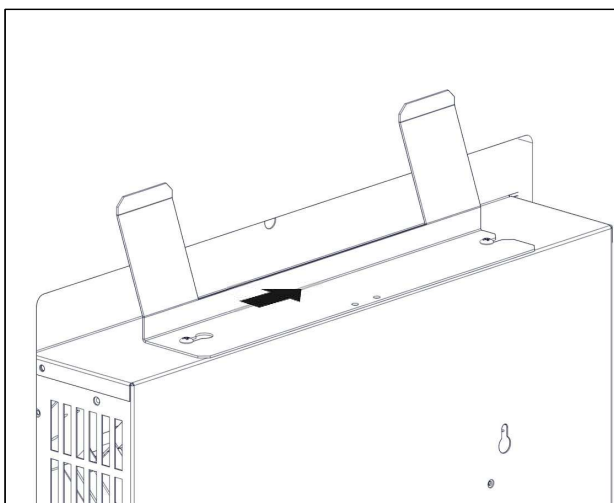
Loosen the two indicated screws, on the fire body top and back them off a couple of millimeters.



From the rear of the surround. Place the mounting bracket over the screw heads



Slide the fire mount bracket under the fire screw heads and secure the bracket in place by tightening the screws down again.

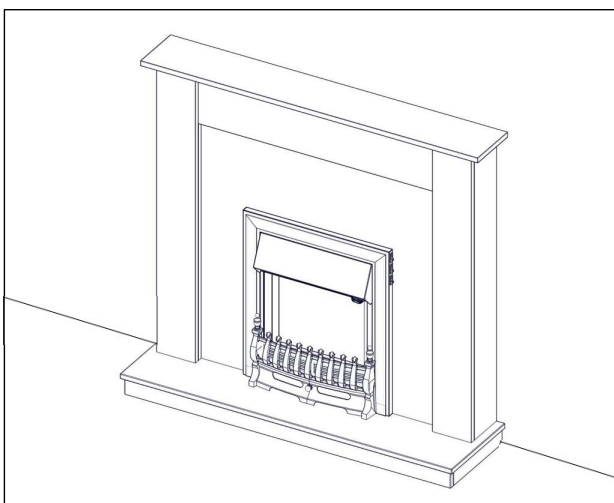


To finish the fire installation, secure the surround and fire in place against the wall as one complete part. See surround installation above.

**Note: Surround is a two adult person lift.**

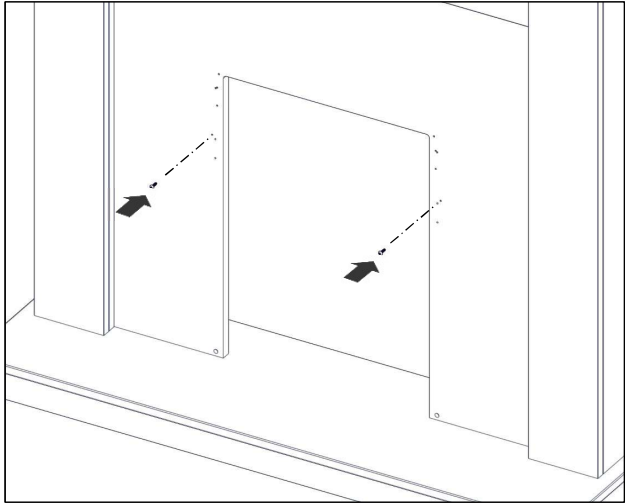
**Note:** Care must be taken not to trap or damage the power cable when routing for the installation.

**Note:** The fire operating instructions 200656 are supplied separately with the fire.

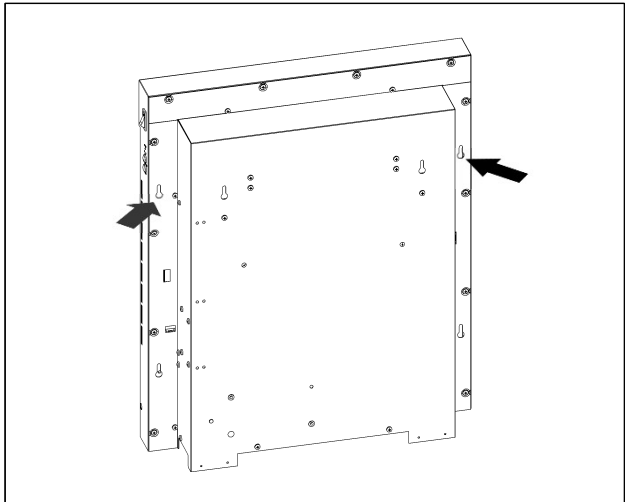


## Ember Fire Installation

To install the fire, first screw the fire key hole mounting screws in the surround back holes D-D. The screws need to be positioned so that the screws sit a couple of millimeters off the back panel, to allow the Ember's key holes to hook over the screw heads.

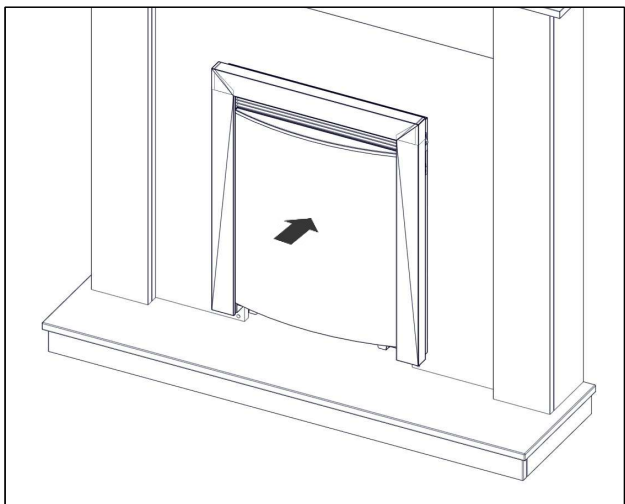


The two Ember key holes hooking points required to be used for this installation.

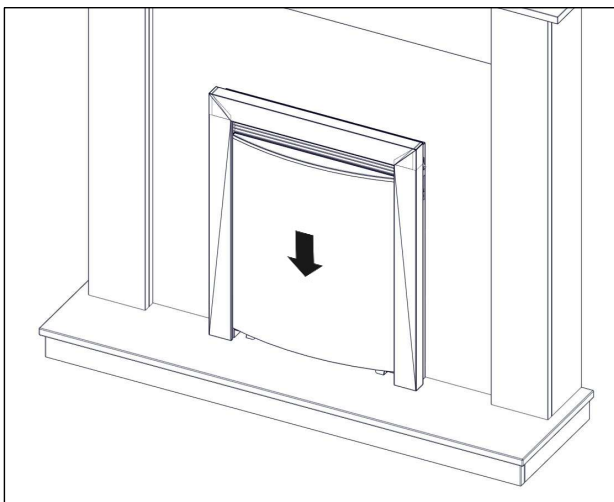


To install the fire first route the power cable through the back panel cut-out and position the fire centrally in the cut-out about 12mm above the hearth.

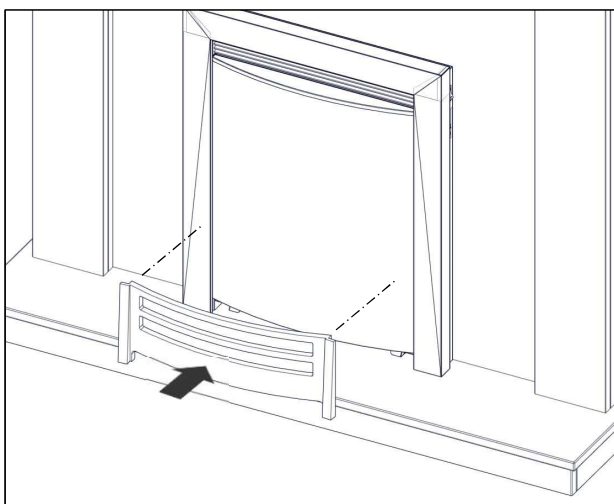
**Note:** Care must be taken not to trap or damage the power cable when routing for the installation.



Lower the fire down on to the screw head to secure the fire in place.

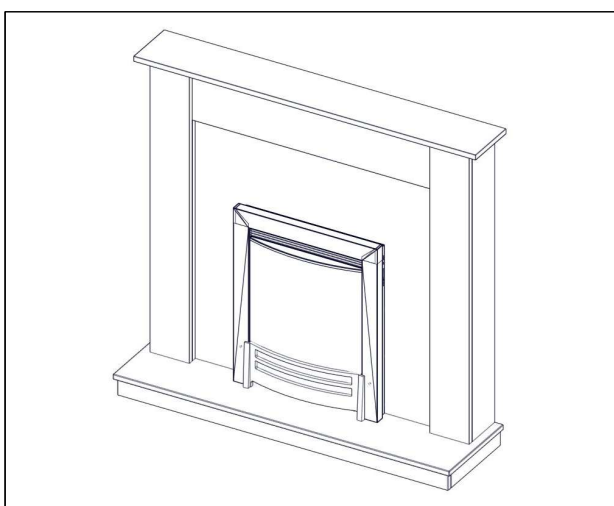


The Fret has magnets installed at the factory for fixing purposes. To secure the fret in place, position the fret centrally over the fire. The magnets will hold the fret in place.



The fire installation is now complete.

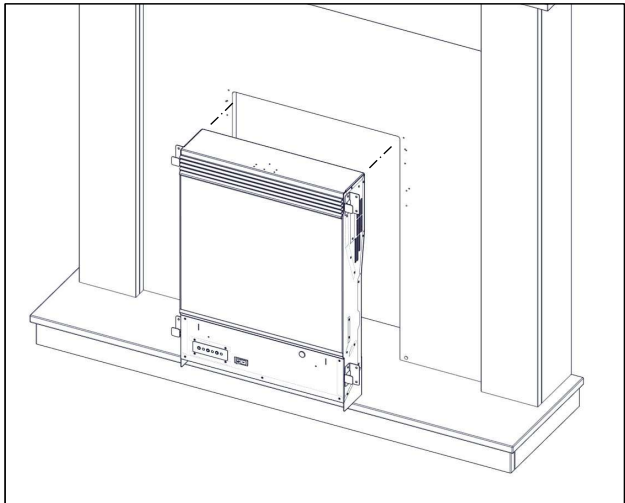
**Note:** The fire operating instructions 200781 are supplied separately with the fire.



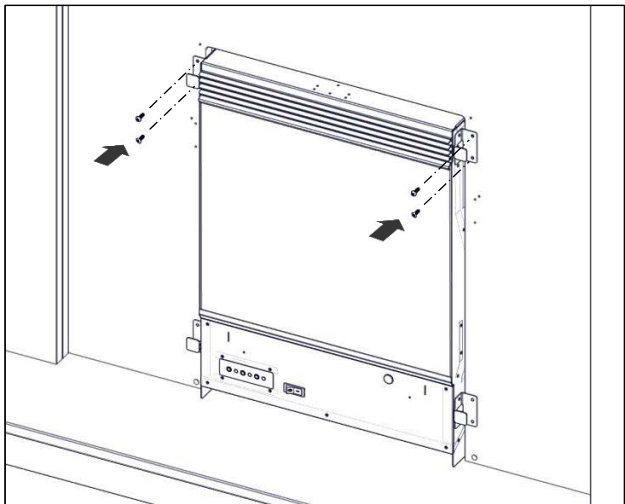
## Beam Fire Installation

To install the fire first route the power cable through the back panel cut-out and position the fire body centrally in the cut-out.

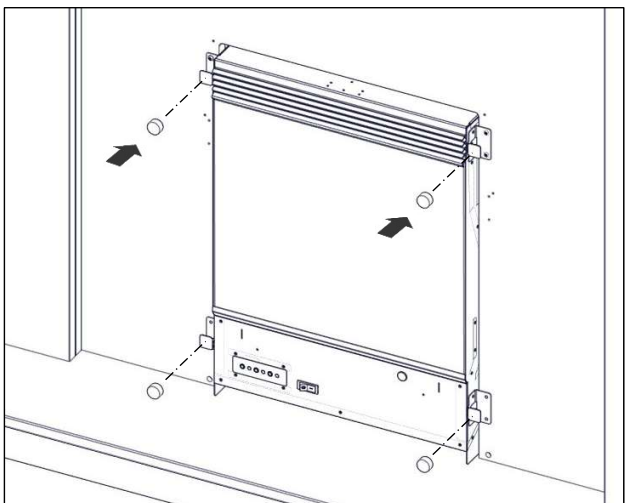
**Note:** Care must be taken not to trap or damage the power cable when routing for the installation.



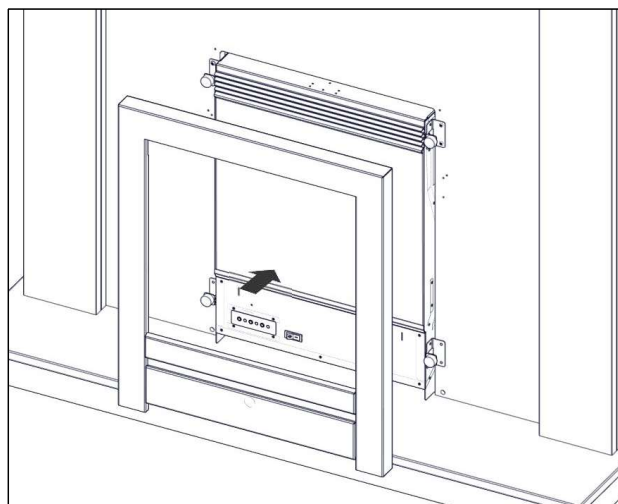
To secure the fire in place. Screw the fire in place through the fire top mount brackets with 4-off (F) 4x16mm Dome head screws using pilot holes B-B.



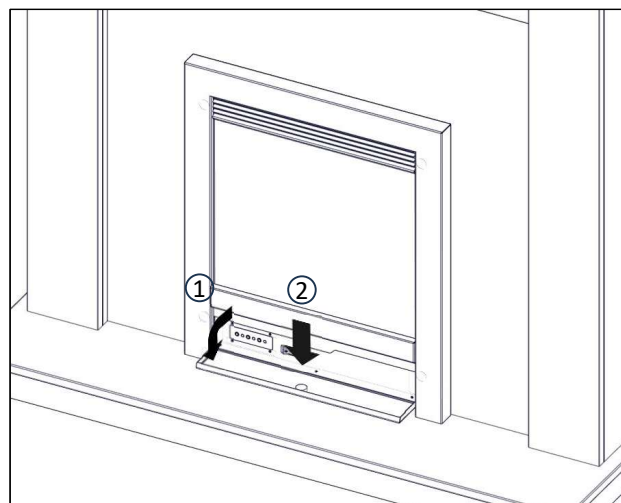
Place the 4-off magnets supplied with the fire trim on the four mounting tabs.



Position the trim centrally in place over the fire, supporting the lower fret to prevent it dropping down and letting the magnets hold the trim in place.

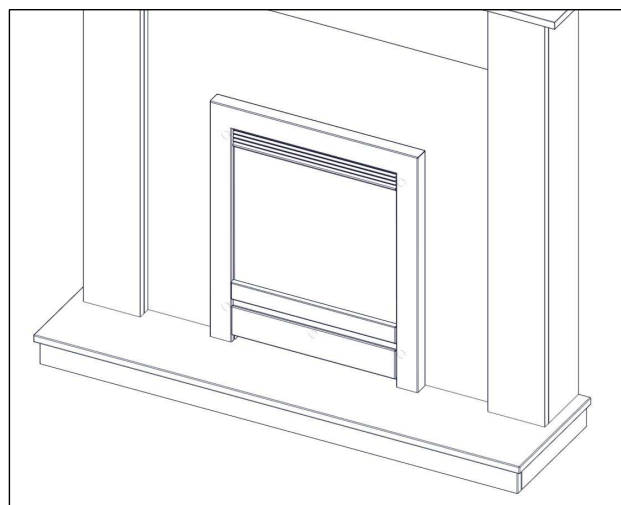


Carefully lower the bottom section of the trim fret down and place the remaining supplied magnet on the centre rear section of the fret as indicated. The fret can now be place back up against the upper section magnet catch tab.



The fire installation is now complete.

**Note:** The fire operating instructions 200797 are supplied separately with the fire.

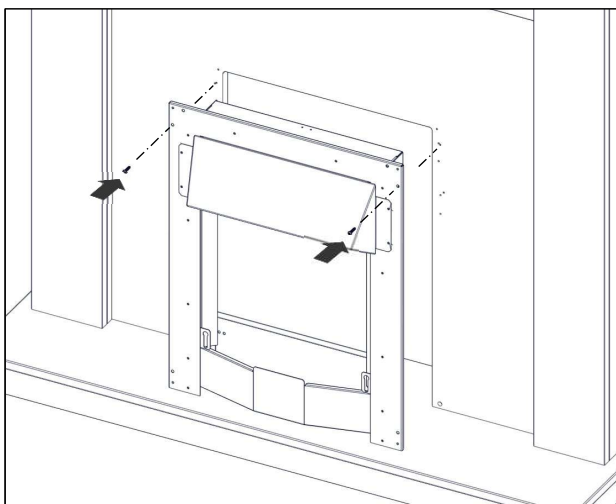


## Abbey Fire Installation

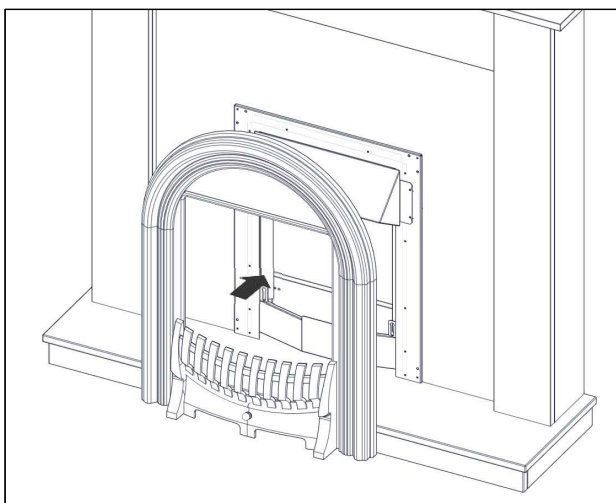
To install the fire first route the power cable through the back panel cut-out and position the fire body centrally in the cut-out.

**Note:** Care must be taken not to trap or damage the power cable when routing for the installation.

Secure the fire in place with the 2-off (G) 4x20mm Pan head screw, use the pilot holes C-C in the back panel.

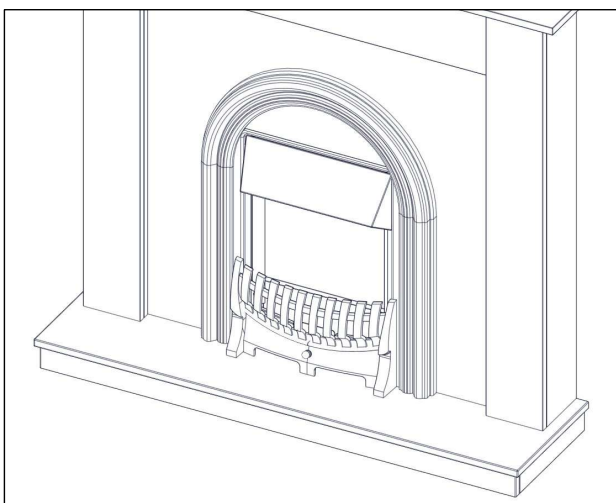


Place the Abbey arch with integrated fret centrally over the fire. The Abbey arch has rear magnet to secure the arch to the fire body.



The fire installation is now complete.

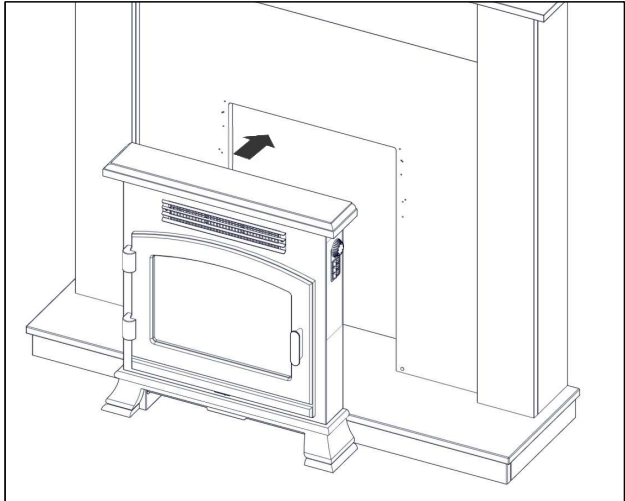
**Note:** The fire operating instructions 200666 are supplied separately with the fire.



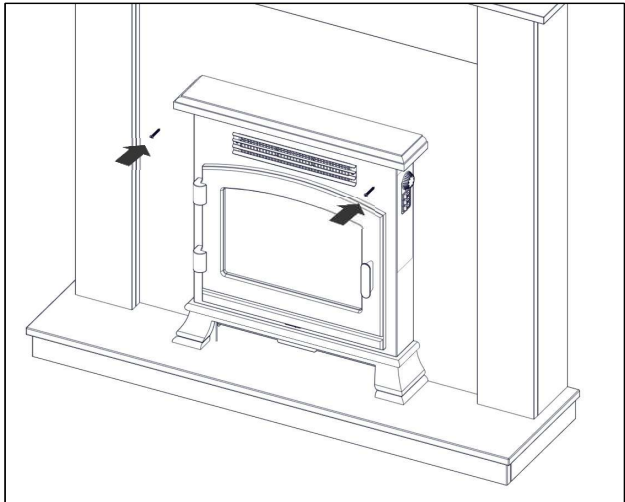
## Banbury Fire Installation

To install the fire first route the power cable through the back panel cut-out and position the fire centrally in the cut-out.

**Note:** Care must be taken not to trap or damage the power cable when routing for the installation.



Once the fire is placed in the finished position against the back panel. Mark the centre points of the two fixing slots (under the fire top) with the supplied 2-off (H) 3.5x40mm CSK screws. Place the screw in the slotted hole and press the point in to the timber back panel to leave a small indent mark. Repeat for the opposite side. Remove the fire and drill 2-off 2.5mm diameter pilot holes 12mm deep in the back panel.

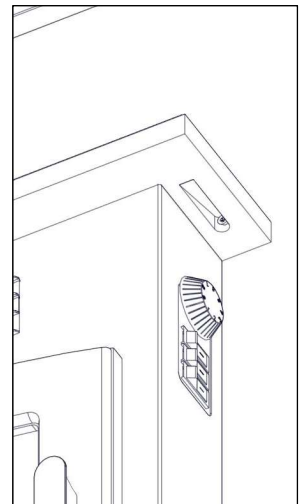
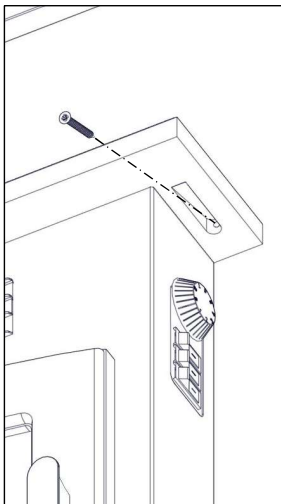


Re-install the fire, again routing the power cable through the surround fire cut-out and securely screw in place.

**Tip:** When screwing the fire in position. Place light pressure down on the fire top, to prevent the fire lifting of the hearth when the screws pull tight.

The fire installation is now complete.

**Note:** The fire operating instructions 200686 are supplied separately with the fire.



---

## Maintenance

---

**WARNING:** Before any maintenance or whilst cleaning the exterior of the fireplace, the unit should be disconnected from the power supply until it has cooled down.

### Cleaning the Fire

Cleaning or polishing products are not recommended. Fingerprints or other marks on the front glass panel can be removed by a piece of soft, damp, lint-free cloth with a good quality household glass cleaner. The front glass panel should always be completely dried with a clean, lint-free cloth or paper towel.

**CAUTION:** Abrasive cleaners should not be used on the glass panel. Liquids should not be sprayed directly onto any surface of the unit.

### Troubleshooting

Should you have any queries regarding this product please contact Customer Services on 0191 4300901 (option 4) or email us at [customerservices@bemodern.co.uk](mailto:customerservices@bemodern.co.uk)

### Recycling

All cardboard packing is recyclable

**Note:** Should a defect be discovered and in the event of a Suite being permanently fixed to the wall the householder will be responsible for any costs incurred.

**IMPORTANT NOTE:**

Wall fixings (i.e. screws/wall plugs etc.) are not supplied as these are crucially dependent upon the type of wall and surface the Suite is going to be fixed too.

The installer is therefore responsible for ensuring that suitable fittings are used as well as individual fitting situations and environments. All mechanical fixings, for holding the Suite in position, must be secured to a solid wall or structure.

**Where appropriate please recycle packaging responsibly.**

---