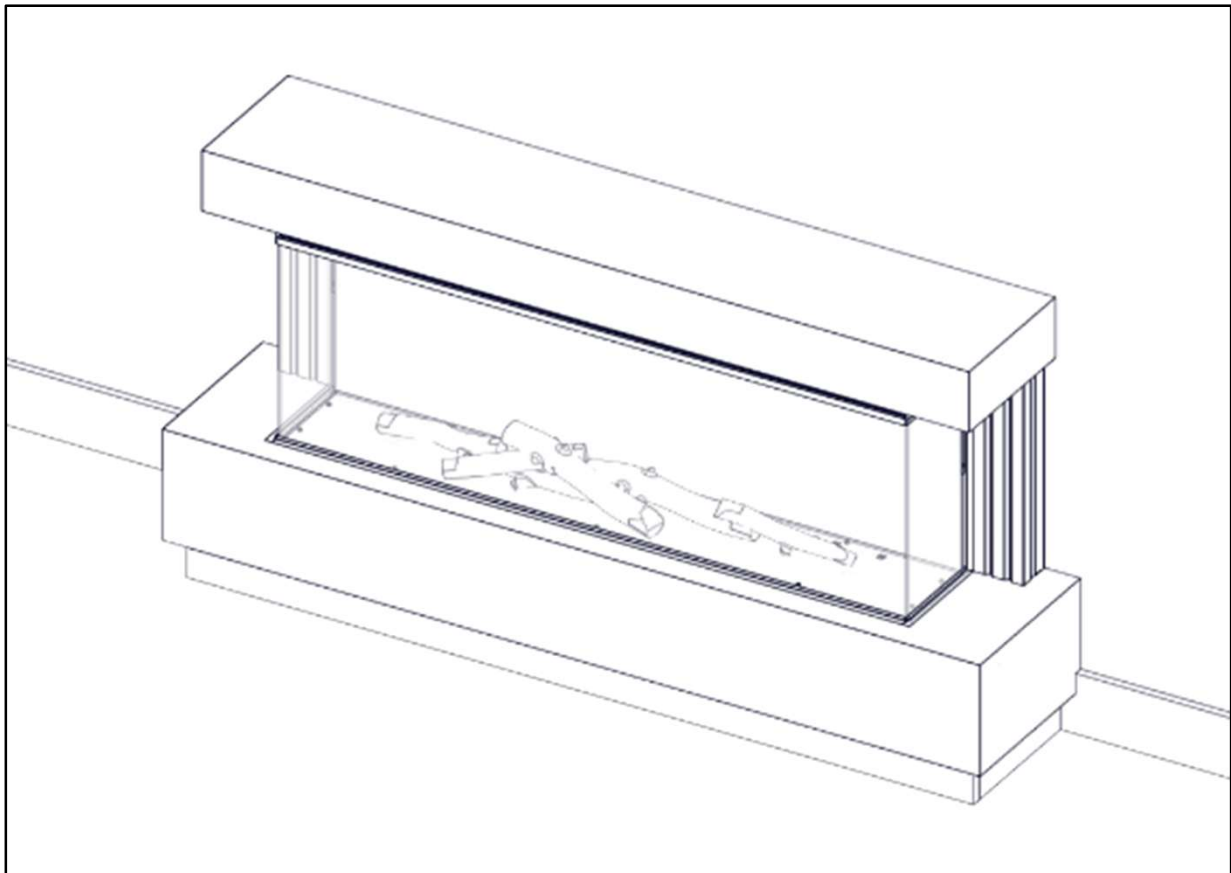


DIAMOND

Luxury Fireplaces

**4435 - Sycamore Timber Suite To Suit:
IQFX 1250 3SL Fire**

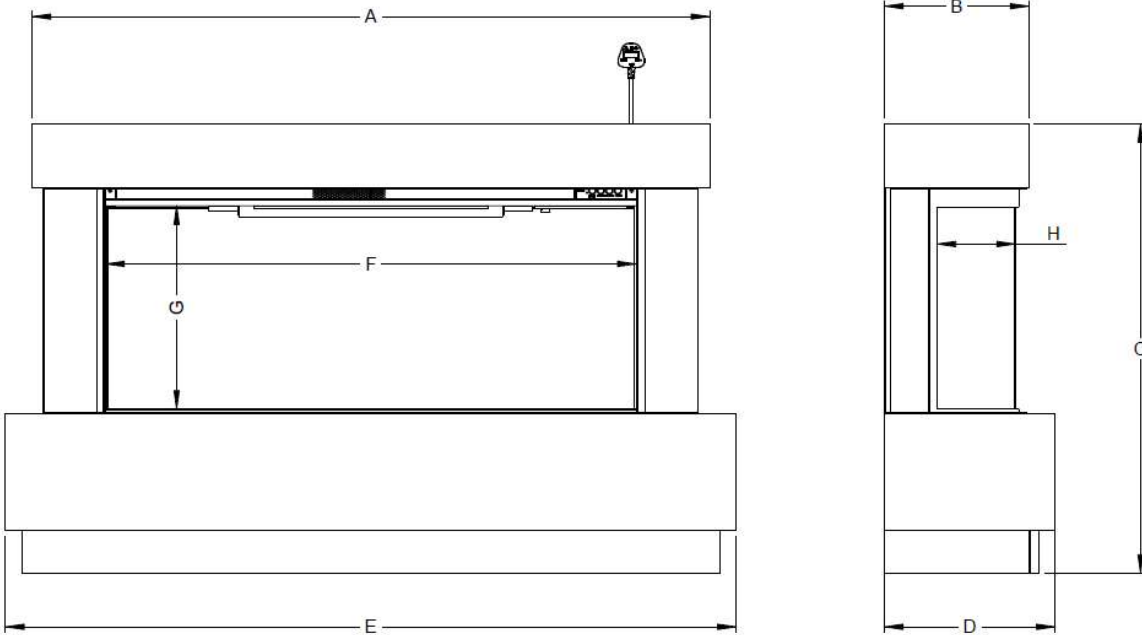


Instructions for Installation

Contents

Technical Specs	3
Contents of Fixings Box	4
Installation – Timber	5-8
Maintenance	9

Technical Specification



Fire	Surround	Logs	Dimensions (mm)				
			A	B	C	D	E
IQFX 1250 3SL	64" SYCAMORE TIMBER FLOOR STANDING	13	1520	296	842	345	1620

Fire	Visible Glass Area (mm)		
	F	G	H
IQFX 1250 3SL	1245	380	182

Note: The IQFX Fire, Sycamore Surround and Trims are boxed separately - Light Assembly of the Sycamore Surround is required- Please follow the steps detailed below.

What is in the box (s)

IQFX 1250-3SL

Quantity	Description	Quantity	Description
1	IQFX 1250-3SL- Electric Fire Engine	1	Fire Remote Control & 2 AAA Batteries
13	Logs (6 x Illuminated)	4	Short Side Brackets
4	Bag of Crystallized Pebbles	2	Long Side Brackets
4	Bag of Smoked Crystals	1	1.8M IEC Power Cable with Molded Plug
2	Bags of Bark	1	Logs LED Light Assembly= 6 LED Light Strips

SYCAMORE SUITE

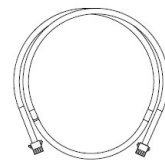
Quantity	Description
1	SYCAMORE- Assembled Top- with pre-installed Downlight Set & Sensor.
1	SYCAMORE- Assembled Base- with pre-installed LED Light Set.

In the smaller Box packed with the Suite (**Labelled A**).

Quantity	Description
6	3.5mm x 16.5mm POZI FLANGE HEAD screws bagged.
1	Downlight Instructions.
1	2M Downlight Mains Cable (Supplied to be used with a fused spur. i.e. A 3-Amp Switched Fused spur or 3 Amp 3 Pin Plug if using a double socket).
1	830mm Fly Lead- Required to connect the LED Lights to the Fire.



1x Downlight Mains Cable



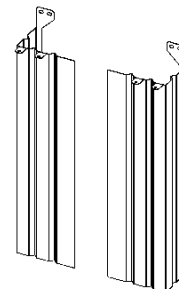
1x 830mm Fly Lead



6x 3.5mm x 16.5mm Pozi Flange Head

SUITE METAL SIDED TRIMS

Quantity	Description
2	Metal Sides LH/RH- 601698 - Black Nickel or Matt Black Finishes



2x Metal Sides

Please ensure all fixings are present before commencing installation. If anything is missing, please call Customer Services on 01914300901 or email us at customerservices@bemodern.co.uk

Installation – Timber

Note: The surround and fire are a two adult person lift. A second person will be required to lift and support the surround and fire during installation.

Before the surround can be installed, consideration will need to be given routing the power supply to the fire. This will affect the stages of the installation process. We advise a qualified electrician conduct any electrical parts of the installation.

Note: A double socket is required or a single socket and a 3-Amp switched fused spur for the operation of the Fire and the preinstalled Downlights.

Unpack your new suite- **DO NOT** dispose of the packaging until you have checked and made sure all the parts and fixings listed on **Page 4** are present. **Tip:** To help avoid damage of the assembled parts place them on the surplus packaging, whilst they are waiting to be installed.

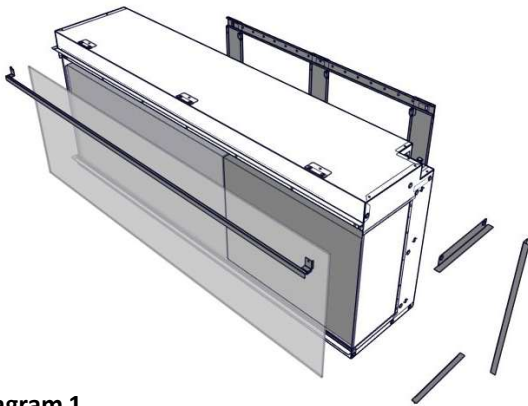


Diagram 1.

Preparing the fire- **See the separate Fire Instructions.**

Locate the box containing the Fire and remove the Fire Instructions (**No. 200922**).

Please refer to the **Pages 8-9**, in the Fire Instructions and follow the steps to remove the Glass and Rear Bracket and the internal cardboard boxes.

Please refer to **Page 9** in the Fire Instructions to prepare the Fire for a 3-Sided installation.

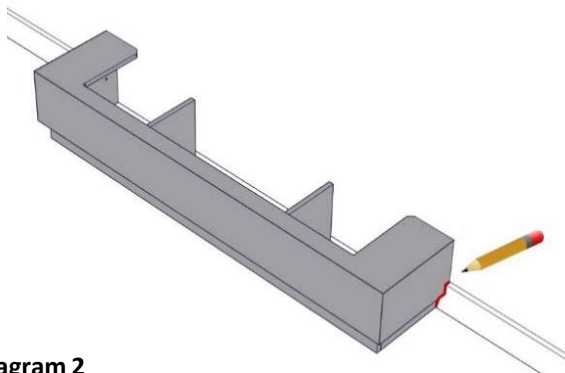


Diagram 2

Once the Fire has been prepared, lift the unpacked Assembled Base into position.

Remove any obstructions, i.e. mark and cut to shape or remove any skirting to allow the Assembled Base to butt up flush to the wall.

Note: The Assembled Base is a two adult person lift.

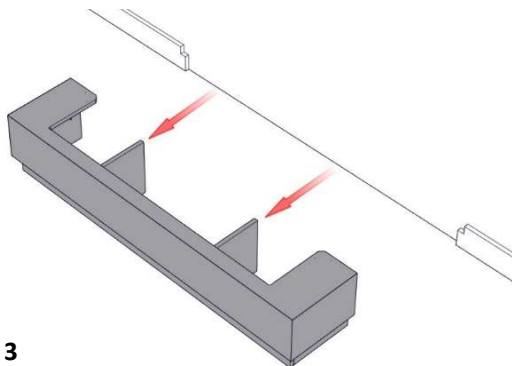


Diagram 3

Position the Assembled Base away from the wall, leaving enough space to the rear to allow the Fire and Metal Sides to be installed in the following steps.

Installation – Timber *continued*

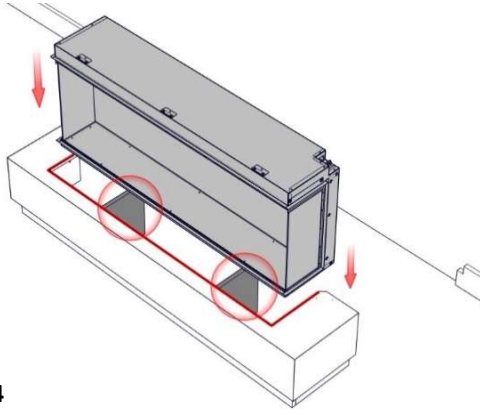


Diagram 4

Note: Ensure the glass and cardboard boxes inside the fire have been removed before proceeding further, this will reduce the handling weight.

Lift the Fire into the cut out in the Assembled Base, ensuring the Fire is sitting on the two central supports.

Note: The fire is a two adult person lift.

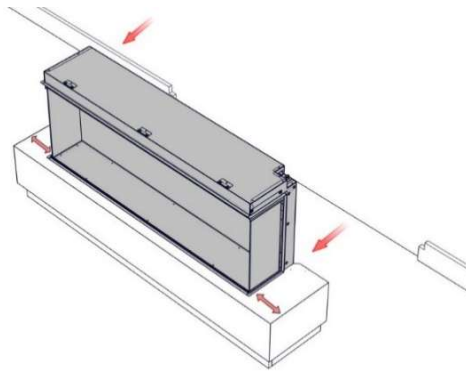


Diagram 5

Ensure the Fire is positioned centrally in the cut out of the Assembled Base and that the Fire is pushed up tight against the front of the opening.

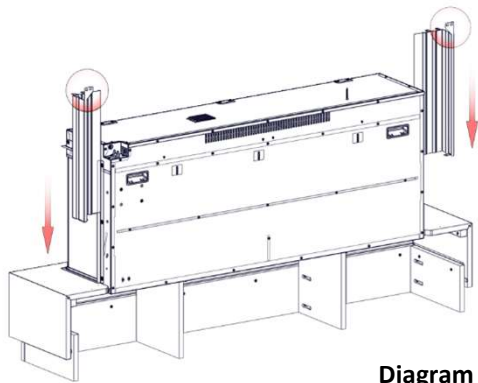


Diagram 6

Locate the 2x Metal Sides, these are supplied/boxed separately to the top and bottom assembly. The 6x 3.5mm x 16mm Pozi Flange Head Screws required for fixing are supplied with Assembled Base & Top.

Note: Remove any protective film before installing.

Position the 2x Metal Sides with the **tab** at the top. Line up the Metal Sides with the fire and Assembled Base rear edge. **Important:** do not use pre-drilled holes for this installation. See **Diagram. 7 & 8.**

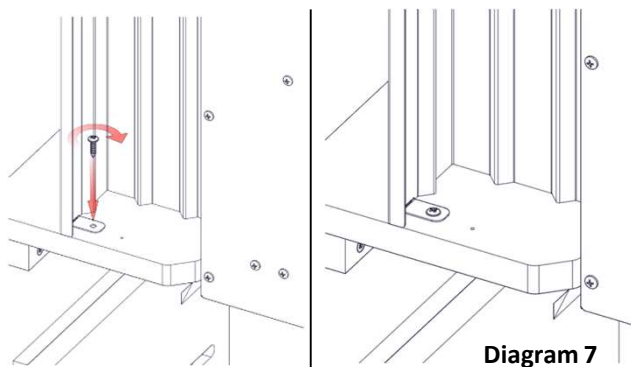


Diagram 7

Once aligned, fix the Metal Sides to the Assembled Base using 2x 3.5mm x 16mm Pozi Flange Head Screws supplied.

Installation – Timber *continued*

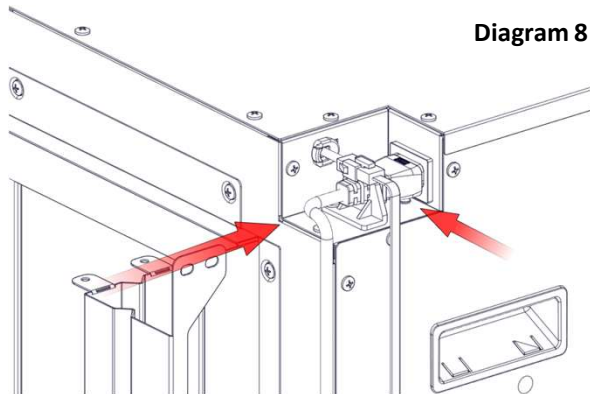


Diagram 8

Please refer to **Page 10** in the **Fire Instructions**, before proceeding further and ensure the Power Cable and LED Light Set are connected to the relevant connection ports.

Note: At this stage also wire in or plug in the mains cable for the Downlights. (The cable found in the smaller cardboard box that comes with the surround.)

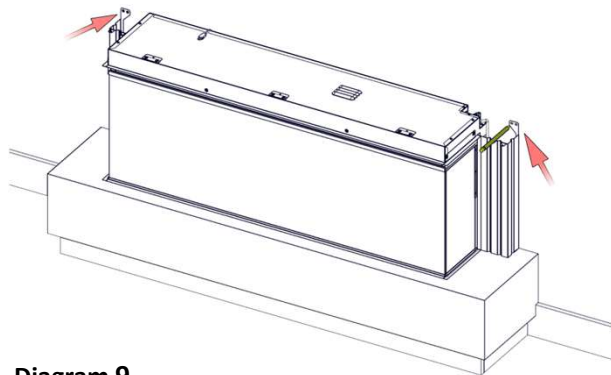


Diagram 9

Lift the partially assembled surround against the wall. Ensuring the Metal Sides are plumb - mark the location of the fixing points on the wall behind.

Remove the partially assembled surround from the wall, drill and plug the fixing points.

Note: Plugs and fixings are not supplied- See Important Note on Page 9.

Note: This is a two adult person lift.

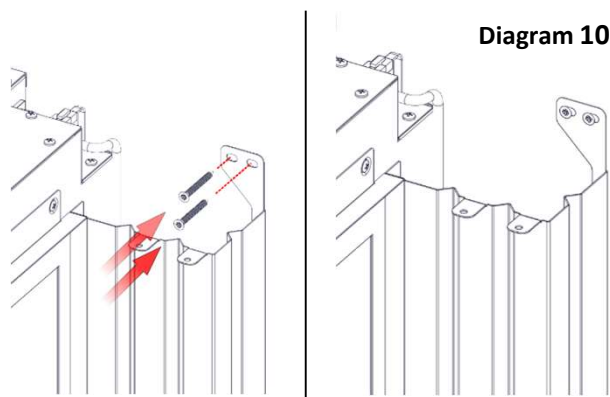


Diagram 10

Return the partially assembled surround against the wall.

Note: Great care must be taken to avoid crushing or damaging the cables on installation.

Note: Ensure the Downlight mains cable (white cable) is routed in a way that it can be connected to the pre-installed Downlights in the Assembled Top when it is positioned in a later procedure. See Diagram 11.

Once routed correctly, proceed with fixing the surround securely to the wall.

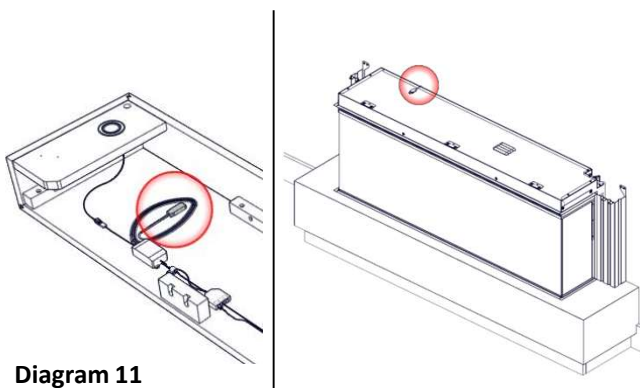


Diagram 11

Note: Once the partially assembled surround has been secured to the wall, connect the pre-installed Downlights to the mains cable, checking that the lights and sensor are working correctly.

If there are any problems, please call:
Customer Services on 01914300901 or
email us at customerservices@bemodern.co.uk

Installation – Timber *continued*

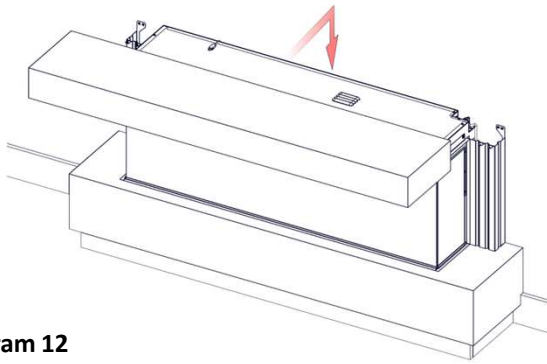


Diagram 12

Lift the Assembled Top into position.

Note: The Assembled Top is a two adult person lift.

Note: Great care must be taken to avoid crushing or damaging the Downlight cables during installation.

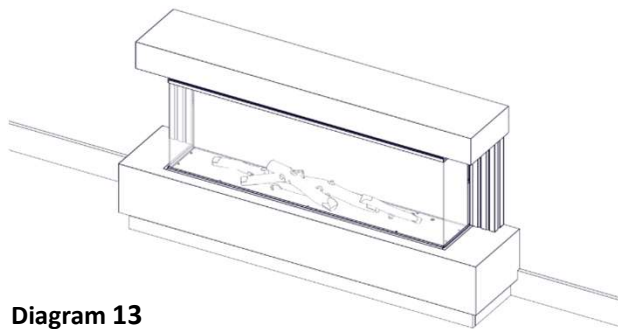


Diagram 13

Ensure the Assembled Top is centralized on the Metal Sides, before fixing in position. There should be approx. 21mm overhang each side.

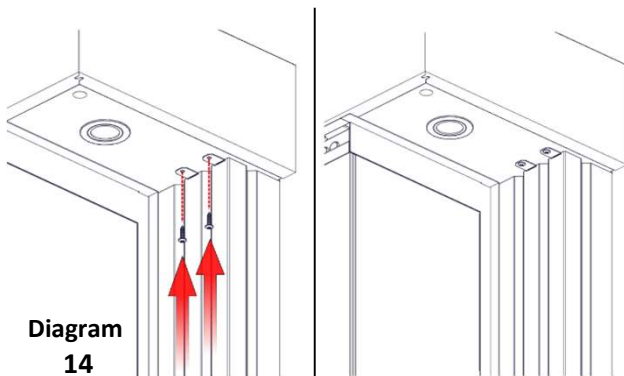


Diagram 14

Once lined up, fix the Metal Sides to the Assembled Top. Securing the Assembled Top in place.

Secure to the Assembled Top using 4x 3.5mm x 16mm Pozi Flange Head Screws provided.

Note: DO NOT seal around the edges of the top between the wall - access to the downlights and sensor may be required in the event of failure.

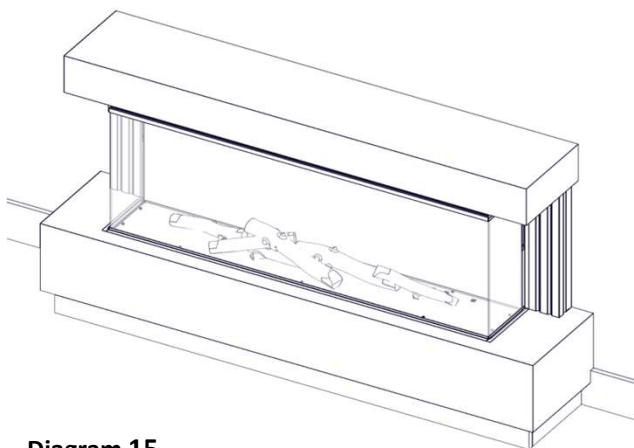


Diagram 15

Once the installation is complete, please refer to **Page 14/15** in the Fire Instructions (supplied with the Fire), for advice on how to dress the Fuel Bed and position the Logs.

Once the Logs and Fuel Bed have been dressed, securing replace the Glass with the previously removed Screws. Please refer to **Page 16** in the Fire Instructions.

For the Fire User Instructions, please refer to **Pages 17-36**, in the Fire Instructions.

Maintenance

WARNING: Before any maintenance or whilst cleaning the exterior of the fireplace, the unit should be disconnected from the power supply until it has cooled down.

Cleaning the Furniture

To maintain the appearance of your new suite we recommend that it dusted using a lint free cloth. **NEVER** use any form of abrasive or **DAMP** cloth.

Cleaning the Fire and the Metal Sides

Cleaning or polishing products is not recommended. Fingerprints or other marks on the front glass panel and metal sides can be removed by using a piece of soft, damp, lint-free cloth with a good quality household glass cleaner. The front glass panel should always be completely dried with a clean, lint-free cloth or paper towel.

CAUTION: Abrasive cleaners should not be used on the glass panel. Liquids should not be sprayed directly onto any surface of the unit.

Troubleshooting

Should you have any queries regarding this product please contact:
Customer Services on 01914300901 or
email us at customerservices@bemodern.co.uk

Recycling

All cardboard packaging is recyclable.

IMPORTANT NOTE:

Wall fixings (i.e. screws/wall plugs etc.) are not supplied as these are crucially dependent upon the type of wall and surface the surround is going to be fixed too.
The installer is therefore responsible for ensuring that suitable fittings are used as well as individual fitting situations and environments. All mechanical fixings, for holding the surround in position, must be secured to a solid wall or structure.